



NOW SHIPPING!

HDBaseT 70 Meter HD-H70-SP Ultra Slim-Pack Transmitters & Receivers Set

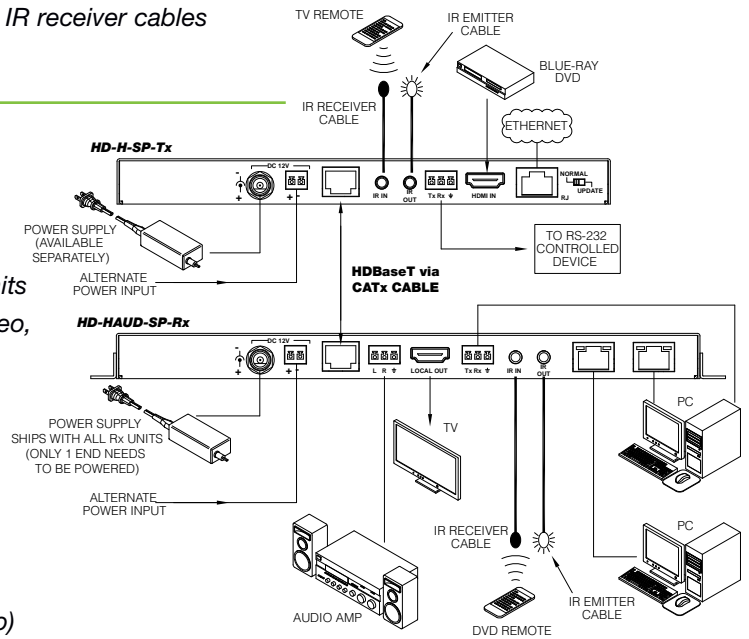
- 70 Meter units are Class B HDBaseT Units
- Transmits uncompressed full HD Digital HDMI Video, Audio, Control (Bi-Directional IR & RS-232), and Power
- Straight-through cables with RJ-45 connectors wired in TIA/EIA T568B scheme. For best resolution and ESD performance, use shielded CAT6A cable.
- Input resolutions: 4k 2160p (3840x2160) / 1080P / 1080i / 720P / 576P / 480P / 576i / 480i
- Cable Distances & Resolutions:
 - CAT-5e / CAT-6:
 - 60 Meters: 1080p @60 Hz (36 bpp)
 - 35 Meters: 1080p @60 Hz (48 bpp) or 3D and 4k 2160p (3840x2160 @ 30 Hz)
 - CAT-6a / CAT-7:
 - 70 Meters: 1080p @60 Hz (36 bpp)
 - 40 Meters: 1080p @60 Hz (48 bpp) or 3D and 4k 2160p (3840x2160 @ 30 Hz)
- Power supply can power the set from the HD-H70-SP-Tx Transmitter or the HD-H70-SP-Rx Receiver (TX-RX or RX-TX)
- Package Includes:
 - HD-H70-SP-Tx transmitter
 - HD-H70-SP-Rx receiver
 - 18V 2A DC power supply
 - 4 Mounting ears
 - 2 x IR emitter cables
 - 2 x IR receiver cables
- Unit Dimensions: (W x L x H) 5.3" x 3.0" x 0.6"



HDBaseT 100 Meter Ultra Slim-Pack Transmitters & Receivers

Any 100 Meter Transmitter (Tx) can be used with any 100 Meter Receiver (Rx)

- 100 Meter units are Class A HDBaseT 5Play™ Units
- Transmits uncompressed full HD digital HDMI video, Audio, Control (Bi-Directional IR & RS-232), 100BaseT Ethernet, and Bi-directional PoE.
- Straight-through cables with RJ-45 connectors wired in TIA/EIA T568B scheme
- Input resolutions: 4k 2160p (3840x2160) / 1080P / 1080i / 720P / 576P / 480P / 576i / 480i
- Cable Distances & Resolutions:
 - CAT-5e / CAT-6:
 - 100 Meters: 1080p @60 Hz (36 bpp)
 - 70 Meters: 1080p @60 Hz (48 bpp) or 3D and 4k 2160p (3840x2160 @ 30 Hz)
 - CAT-6a / CAT-7:
 - 100 Meters: 1080p @60 Hz (48 bpp) or 3D and 4k 2160p (3840x2160 @ 30 Hz)
- For best resolution and ESD performance Shielded CAT-6A cable is recommended
- Set is powered via 12V 2A DC power supply which allows 2-way powering. You can power the set from the Transmitter or the Receiver (TX-RX or RX-TX) included with each receiver.
- All 100 meter units use Standard PoE (802.11af) compliant power scheme within the HDBaseT Architecture (TX-RX or RX-TX)
- All 100 meter units use the same power supply which allows any of the 100 meter transmitters to be used with any of the 100 meter receivers. Power supply included with all receivers.



Application example using an HD-H-SP-Tx and HD-H-SP-Rx shown. Refer to specific model information for full features.



HD-H-SP-Tx – 100 Meter HDBaseT Slim-Pack Transmitter

- HDMI In to HDBaseT Out (RJ-45)
- RS-232 via 3-Pin Captive Screw Terminal (Tx, Rx, GND)
- IR RX & TX via 1/8" mini jacks
- 12v Power via screw connector or 2-Pin Captive Screw Terminal (12v & GND)
- Ethernet Port (RJ-45)
- Unit Dimensions: (W x L x H) 7.72" x 3.73" x 0.71"



HD-HPC-SP-Tx – 100 Meter HDBaseT Slim-Pack HDMI & VGA Switcher Transmitter

- HDMI In to HDBaseT Out (RJ-45)
- VGA Video In (HD-15 Female) – Audio In (1/8" Mini Jack)
- RS-232 via 3-Pin Captive Screw Terminal (Tx, Rx, GND)
- IR RX & TX via 1/8" mini jacks
- 12v Power via screw connector or 2-Pin Captive Screw Terminal (12v & GND)
- Ethernet Port (RJ-45)
- Unit Dimensions: (W x L x H) 11.50" x 3.67" x 0.79"



HD-H-SP-Rx – 100 Meter HDBaseT Slim-Pack Receiver

- HDBaseT In (RJ-45) to HDMI Out
- RS-232 via 3-Pin Captive Screw Terminal (Tx, Rx, GND)
- IR RX & TX via 1/8" mini jacks
- 12v Power via screw connector or 2-Pin Captive Screw Terminal (12v & GND)
- Ethernet Port (RJ-45)
- Locking power supply included
- Unit Dimensions: (W x L x H) 7.72" x 3.73" x 0.71"



HD-HAUD-SP-Rx – 100 Meter HDBaseT Slim-Pack Receiver with Analog Audio Output

- HDBaseT In (RJ-45) to HDMI Out
- De-embedded Stereo Audio Out (1/8" Mini Jack)
- RS-232 via 3-Pin Captive Screw Terminal (Tx, Rx, GND)
- IR RX & TX via 1/8" mini jacks
- 12v Power via screw connector or 2-Pin Captive Screw Terminal (12v & GND)
- Two Ethernet Ports (RJ-45)
- Locking power supply included
- Unit Dimensions: (W x L x H) 9.13" x 3.67" x 0.71"



FSR is now stocking **West Penn HDBaseT Certified Category 6A Plenum Cable Assemblies** in pre-terminated lengths from 50' to 330' (15 meter to 100 Meter). These plenum rated cables come in specific lengths with the shielded connectors already attached and will work with all of our FSR HDBaseT Products.

West Penn Wire Certified HDBaseT Cables: CN-254246AF Category 6A F/UTP (Shielded) Plenum Assemblies are HDBaseT Certified and have been tested in an HDBaseT Alliance Recognized Testing facility and have met the requirements set by HDBaseT Alliance.

FSR Model	Description	Length
HD-PCB-15	Cat6A F/UTP 50 ft. Assembly – Plenum	15 m / 50 ft.
HD-PCB-23	Cat6A F/UTP 75 ft. Assembly – Plenum	23m / 75 ft.
HD-PCB-30	Cat6A F/UTP 100 ft. Assembly – Plenum	30 m / 100 ft.
HD-PCB-50	Cat6A F/UTP 165 ft. Assembly – Plenum	50 m / 165 ft.
HD-PCB-70	Cat6A F/UTP 230 ft. Assembly – Plenum	70 m / 230 ft.
HD-PCB-100	Cat6A F/UTP 330 ft. Assembly – Plenum	100 m / 330 ft.



Specifications are subject to change without notice.



244 Bergen Boulevard, Woodland Park, NJ 07424
 Phone: 973.785.4347 · Fax: 973.785.4207
 Web: www.fsrinc.com · E-mail: info@fsrinc.com LIT1505B