

DV-HSW-21A DV-MFSW-21A

Touchboards

205 Westwood Ave, Long Branch, NJ 07740
Phone: 866-94 BOARDS (26273) / (732)-222-1511
Fax: (732)-222-7088 | E-mail: sales@touchboards.com

FSR

Video Products Group

2x1 Digital Video Switchers



DV-HSW-21A



DV-MFSW-21A

DESCRIPTION

Introducing two new 2x1 digital video switchers from FSR.

The first is the DV-HSW-21A, a 2x1 HDMI switcher supporting up to 4K x 2K @ 30Hz. The second switcher is the DV-MFSW-21A, a unique switcher and a must have for installations spanning new and legacy technology. This switcher has 1 HDMI input supporting resolutions up to 4K x 2K @ 30Hz and 1 VGA (HD-15) input supporting resolutions up to 1920 x 1200 @ 60Hz. The HD-15 input is paired with a stereo audio input on a 3.5mm mini stereo connector. When selected, the analog video is converted to HDMI and the audio is embedded greatly simplifying connections and operations downstream.

Both of our 2x1 switchers feature 4-way control. They have simple front panel push buttons, screw terminal contact closures with LED feed-back, RS-232 serial control, and autosense switching technology. In autosense mode, the switcher will switch when the current video source being displayed is turned off either via keyboard Function buttons or from signal loss. These options help in making these a perfect solution for any system.

APPLICATIONS

- Boardrooms
- Classrooms
- Collaboration Systems such as HuddleVU
- Command and Control Centers
- PoP / PoS Kiosks
- Digital Signage



Specifications are subject to change without notice.

FEATURES

DV-HSW-21A

- 2x1 HDMI Switcher Supporting up to 4K x 2K @ 30 Hz
- HDMI 1.4 and HDCP Compliant
- Embedded Audio Support

DV-MFSW-21A

- 2x1 Switcher with 1 HDMI and 1 VGA (HD-15) Input and HDMI Output
- HDMI Supports Resolutions up to 4K x 2K @ 30Hz
- VGA (HD-15) Supports Resolutions up to 1920 x 1200 @ 60Hz
- Analog Video converted to HDMI with Audio Embedded
- HDMI 1.4 and HDCP Compliant

Control Functions (Both Models)

- Autosense Automatic Switching Technology
- Front Panel Push Button Local Control
- Contact Closure Control with +12 volt Lamp/LED output (@100 mA when active)
- Serial (RS-232) Remote Control

COLLABORATION SOLUTIONS

These switchers can be easily integrated with FSR's line of HuddleVU collaboration systems and furniture solutions. They can also be easily controlled via our FLEX Control Systems.

HUDDLEVU



FSR Inc.

244 Bergen Boulevard, Woodland Park, NJ 07424
Phone: 973.785.4347 · Fax: 973.785.4207
Order Desk: 1-800-332-FSR1
Web: www.fsrinc.com · E-mail: sales@fsrinc.com

SPECIFICATIONS

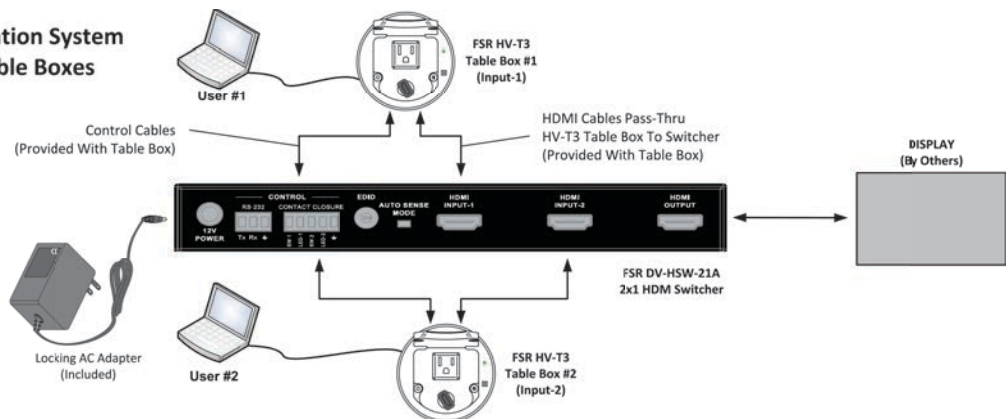
DV-HSW-21A

<i>Supported Formats</i>	
<i>Resolutions (max.)</i>	3840x2160 @30Hz (4K x 2K @30Hz)
<i>Connectors</i>	
<i>Video Input</i>	2 x HDMI Type A 19-pin, female
<i>Video Output</i>	1 x HDMI Type A 19-pin, female
<i>RS-232</i>	3 Pin Pluggable Screw Terminal
<i>Contact Closure</i>	5 Pin Pluggable Screw Terminal
<i>AC Power</i>	External 12VDC Power Supply with Locking Connector
<i>Operational</i>	
<i>Power Input</i>	110~240 VAC
<i>Power Consumption</i>	12VDC 0.25A
<i>Physical</i>	
<i>Dimensions (W x H x D)</i>	7 1/2" (190.2mm) W x 3 1/4" (82.7mm) D x 1" (26.2mm) H
<i>Unit Weight</i>	1 lbs (0.45 kg)

DV-MFSW-21A

<i>Supported Formats</i>	
<i>Resolution (max) HDMI</i>	3840x2160 @30Hz (4K x 2K @30Hz)
<i>Resolution (max) VGA</i>	1920 x 1200 @ 60Hz
<i>Connectors</i>	
<i>Video Input</i>	1 x HDMI Type A 19-pin, female, 1 x VGA DB-15 15-pin, female
<i>Video Output</i>	1 x HDMI Type A 19-pin, female
<i>Audio Input</i>	1 x 3.5mm Mini Stereo Jack
<i>RS-232</i>	3 Pin Pluggable Screw Terminal
<i>Contact Closure</i>	5 Pin Pluggable Screw Terminal
<i>AC Power</i>	External 12VDC Power Supply with Locking Connector
<i>Operational</i>	
<i>Power Input</i>	110~240 VAC
<i>Power Consumption</i>	12VDC 0.3A
<i>Physical</i>	
<i>Dimensions (W x H x D)</i>	7 1/2" (190.2mm) W x 3 1/4" (82.7mm) D x 1" (26.2mm) H
<i>Unit Weight</i>	1 lbs (0.45 kg)

Typical 2 x 1 Collaboration System
Shown with FSR Table Boxes



FSR Inc.

244 Bergen Boulevard, Woodland Park, NJ 07424

Phone: 973.785.4347 · Fax: 973.785.4207

Web: www.fsrinc.com · E-mail: sales@fsrinc.com

LIT1554

Specifications are subject to change without notice.