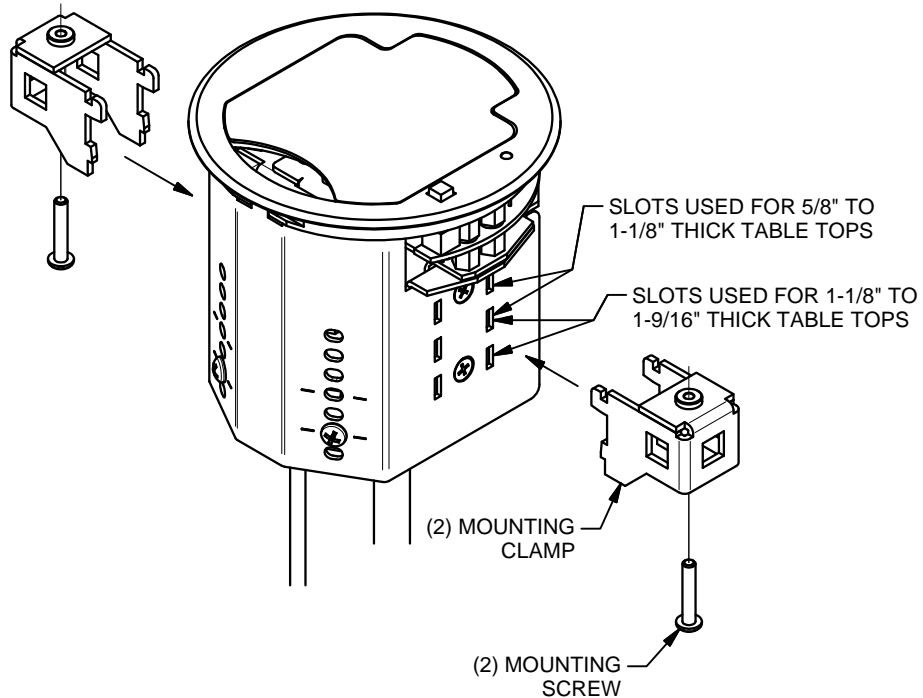
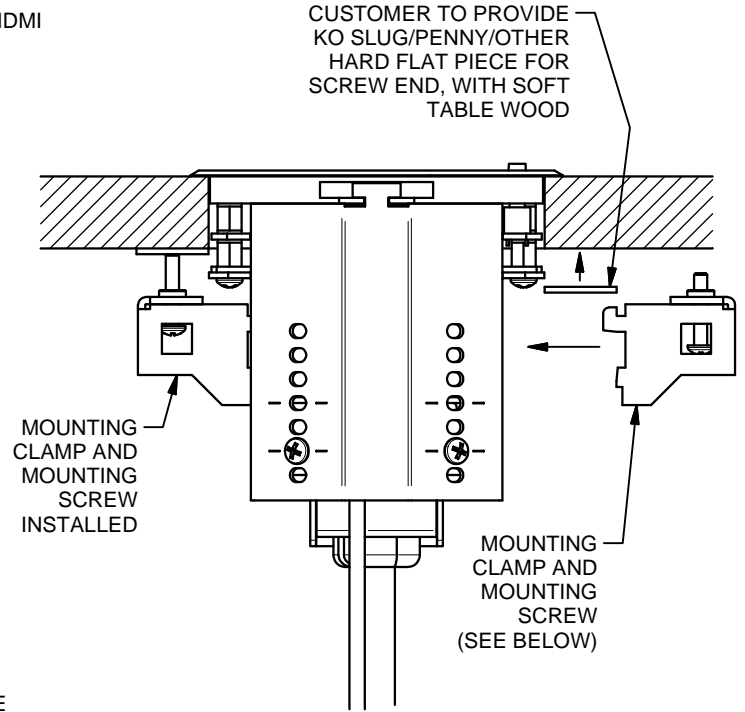
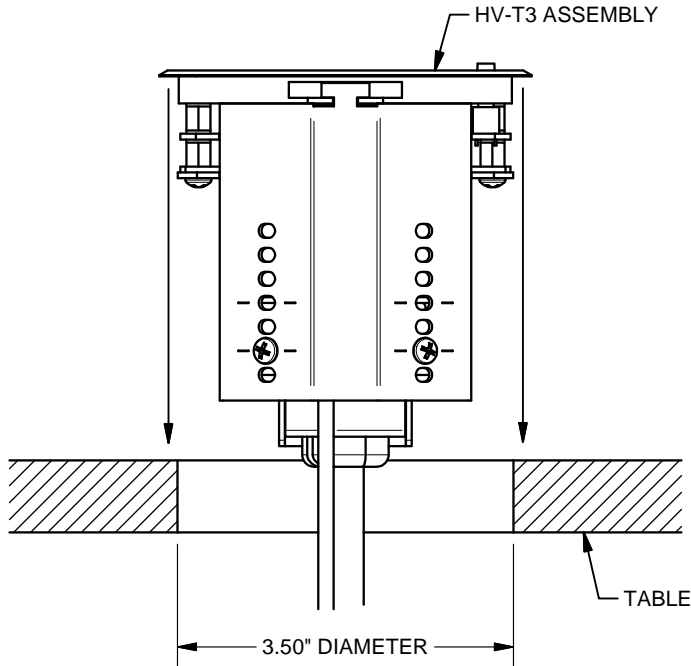


1. DRILL 3.50" DIAMETER HOLE IN TABLE TOP.
2. INSERT HV-T3 ASSEMBLY AND ORIENT AS REQUIRED.
3. INSTALL MOUNTING CLAMPS TO ASSEMBLY AND SECURE TO TABLE BY SCREWING MOUNTING SCREWS TO UNDERSIDE OF TABLE.
4. MAKE ELECTRICAL CONNECTIONS AS REQUIRED. ENSURE HDMI CONNECTOR CAN BE PULLED OUT 3'-0".



6

5

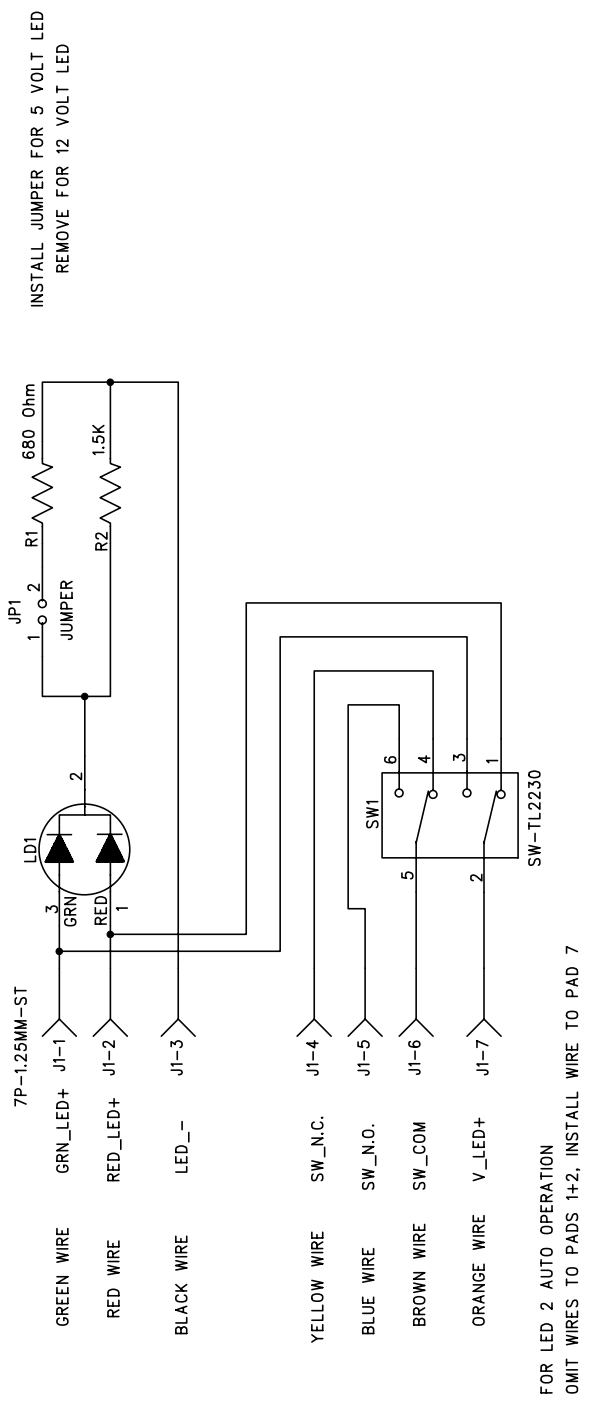
4

3

2

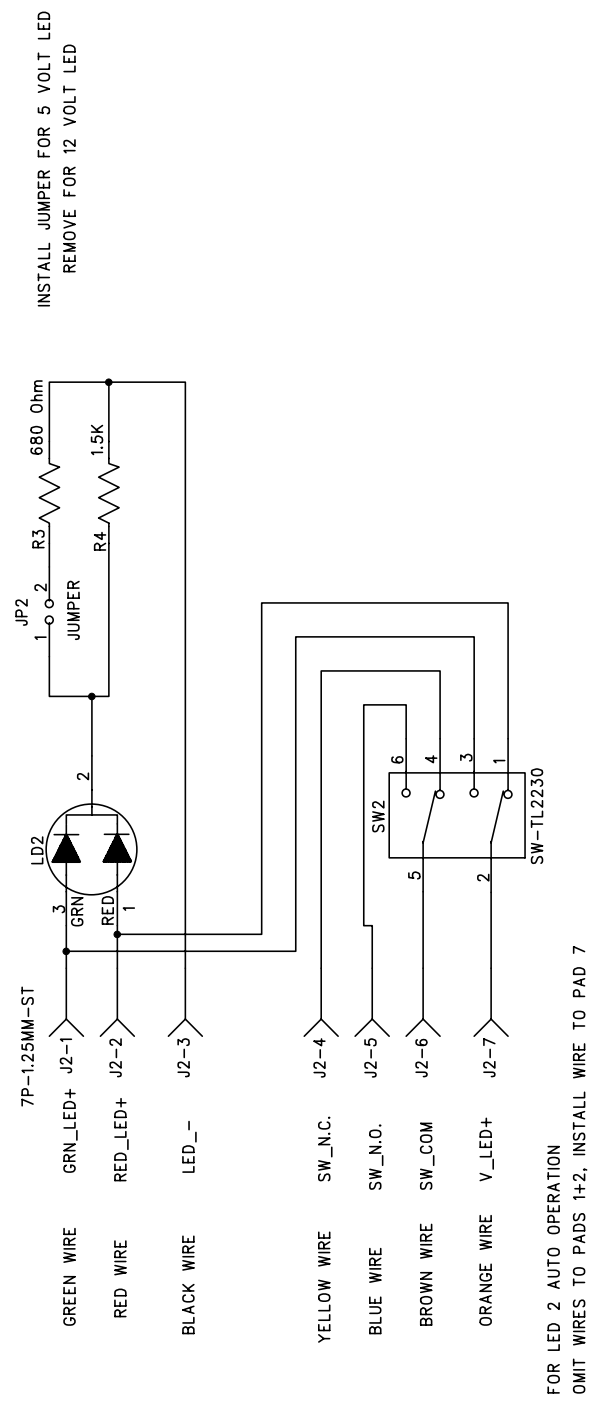
1

REVISION RECORD		
LTR	ECO NO:	APPROVED:



D

C



B

A

- OH4 —OH1
- OH5 —OH2
- OH6 —OH3

<b>FSR inc.</b> 244 BERGEN Blvd. Woodland Park, NJ 07424 Tel. : (973) 785-4347		The drawing and specifications herein are the property of FSR inc. and shall not be reproduced or copied or used in whole or in part as the basis for the manufacture or sale of items without written permission.	
PCB NO.: 26681	PCA# 36072-4	TITLE:	T3-PC1 WITH SWITCH & LED
DRAWN: A.B.	DATED: 4-12-2011	DRAWING NO:	T3-PC1-LED
CHECKED:	DATED:	SIZE: B	SHEET: 1 OF 1
RELEASED:	DATED:	SCALE:	REV: -