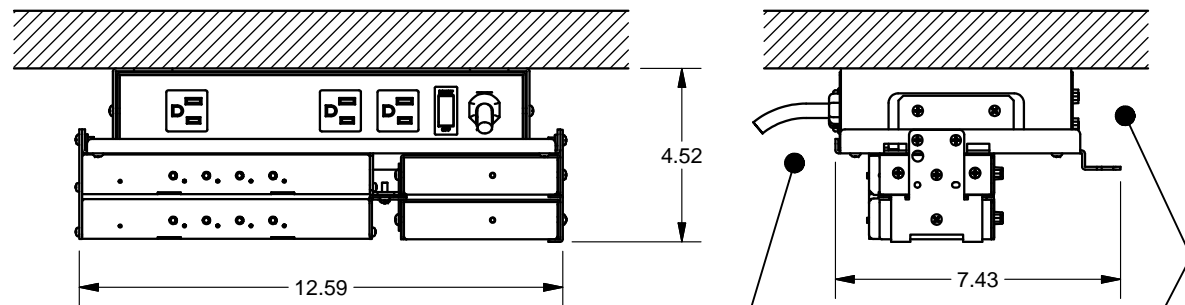
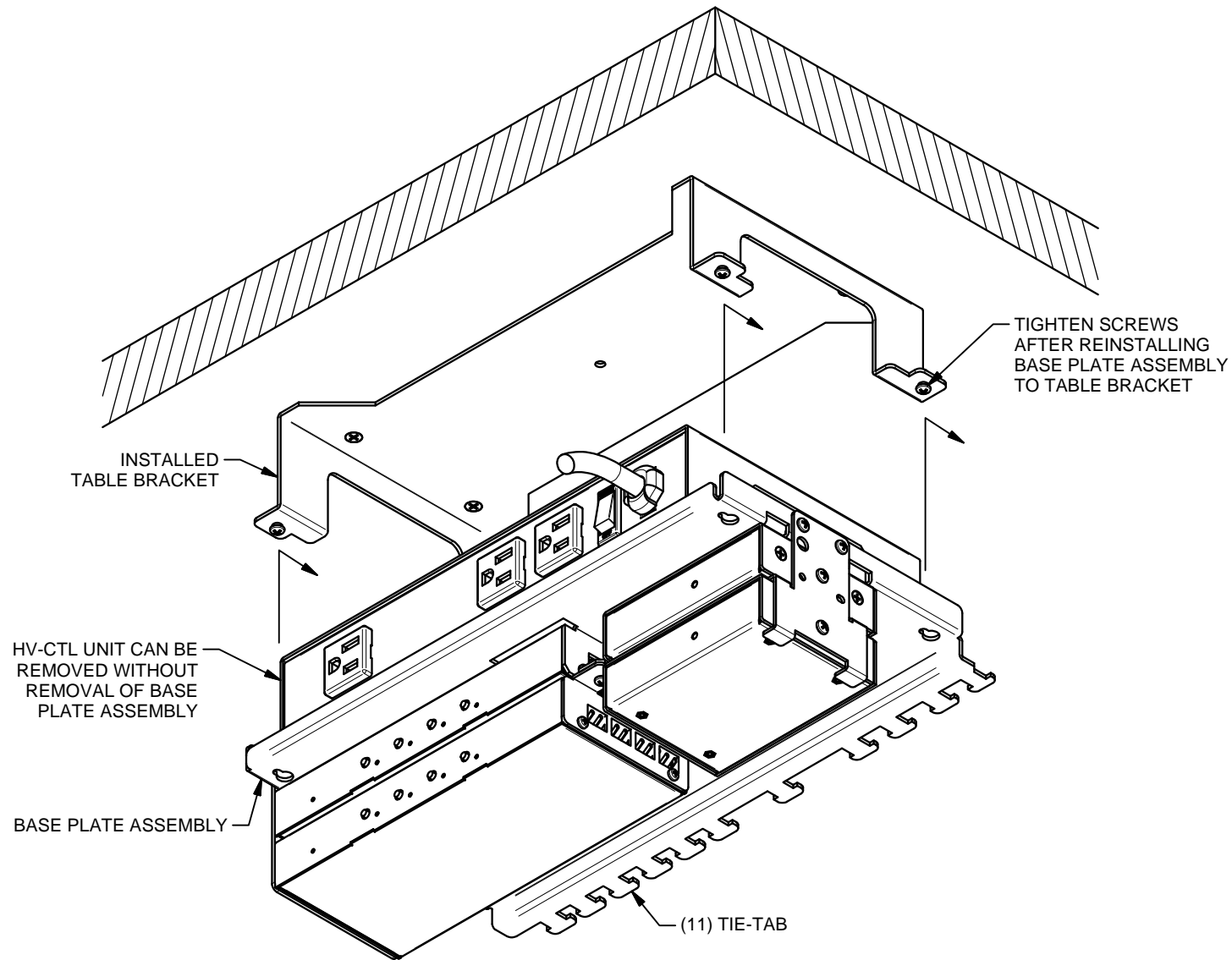


6. REINSTALL BASE PLATE ASSEMBLY TO TABLE BRACKET AND MAKE ELECTRICAL CONNECTIONS AS REQUIRED. TIE-WRAP CABLES TO TIE-TABS AS REQUIRED.

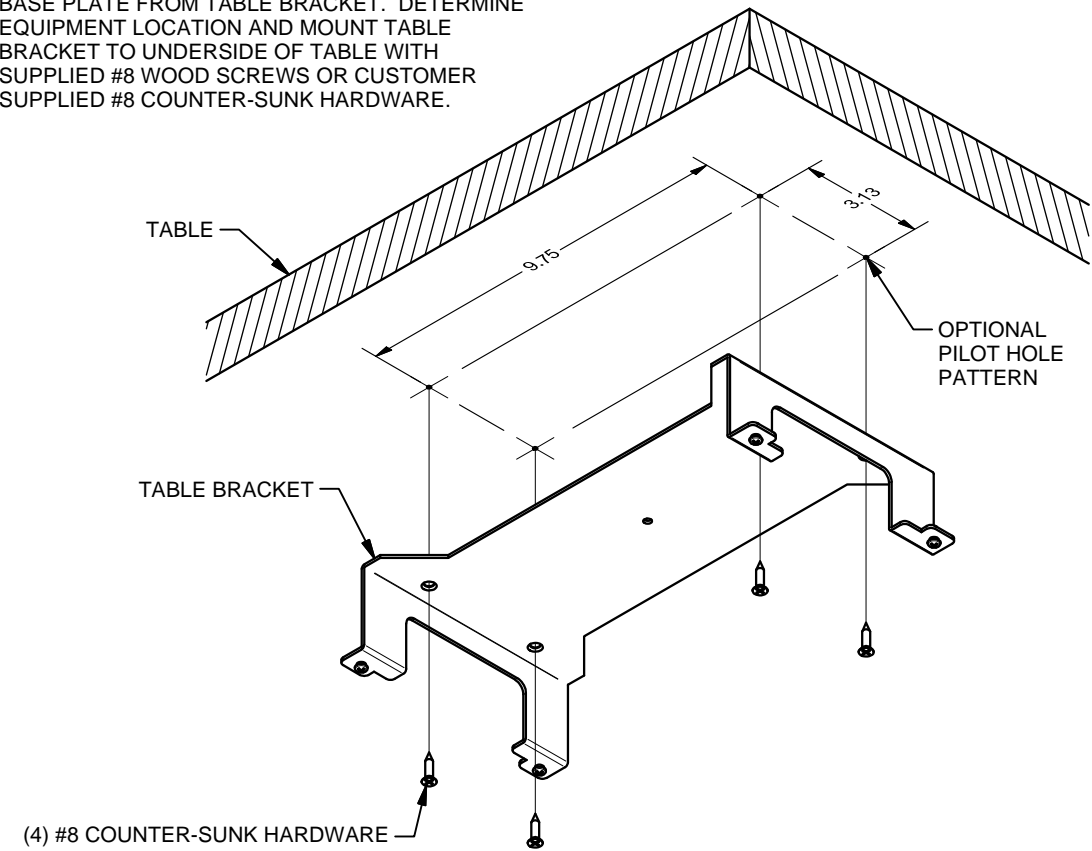


BE SURE TO PLAN FOR WIRING / CABLE ROOM IN FRONT & BACK OF ASSEMBLY

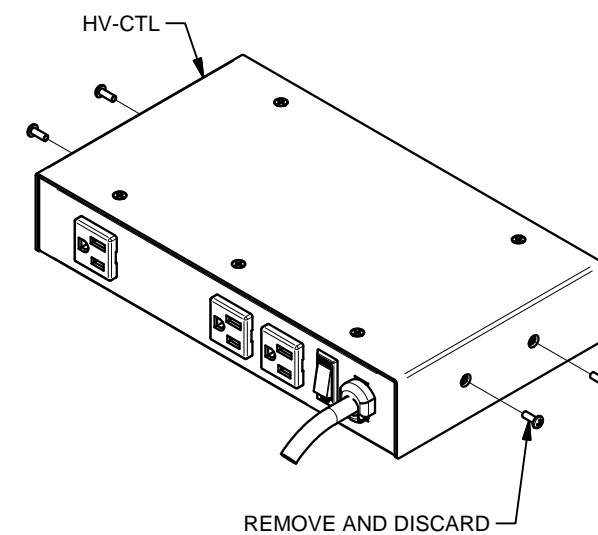
FSR HuddleVU BRACKET SET INSTALLATION INSTRUCTIONS

244 Bergen Boulevard, Woodland Park, NJ 07424, Phone: 973.785.4347 - Fax: 973.785.4207

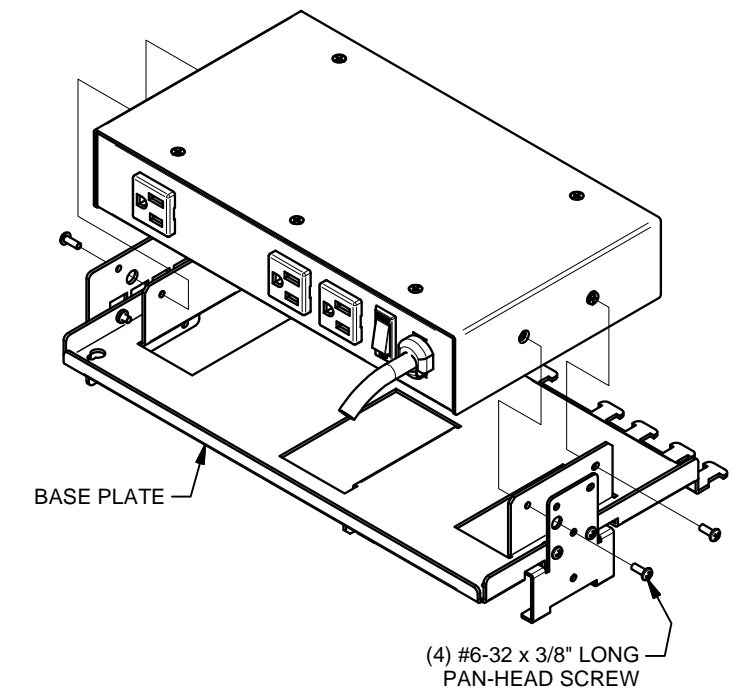
1. LOOSEN BASE PLATE SCREWS AND SEPARATE BASE PLATE FROM TABLE BRACKET. DETERMINE EQUIPMENT LOCATION AND MOUNT TABLE BRACKET TO UNDERSIDE OF TABLE WITH SUPPLIED #8 WOOD SCREWS OR CUSTOMER SUPPLIED #8 COUNTER-SUNK HARDWARE.



2. REMOVE AND DISCARD EXISTING SCREWS FROM HV-CTL UNIT.

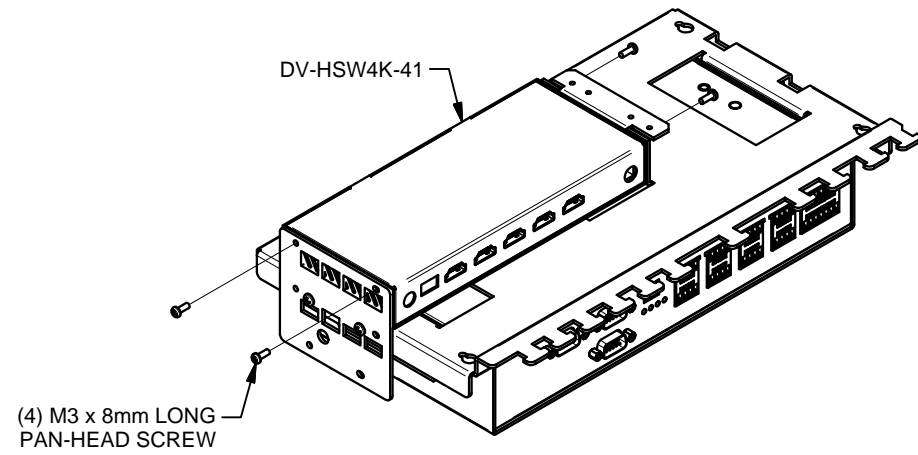


3. INSTALL HV-CTL TO BASE PLATE WITH SUPPLIED #6 HARDWARE.



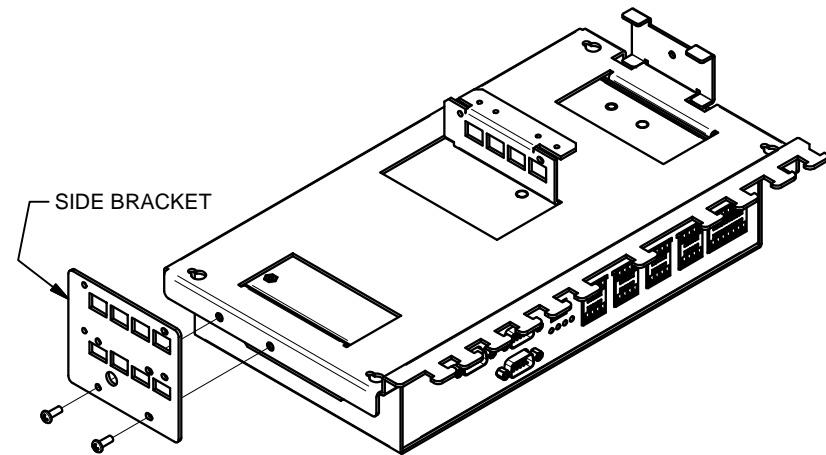
4A. INSTALLING ONE DV-HSW4K-41 UNIT:

- a. INSTALL DV-HSW4K-41 TO BASE PLATE WITH SUPPLIED M3 HARDWARE.

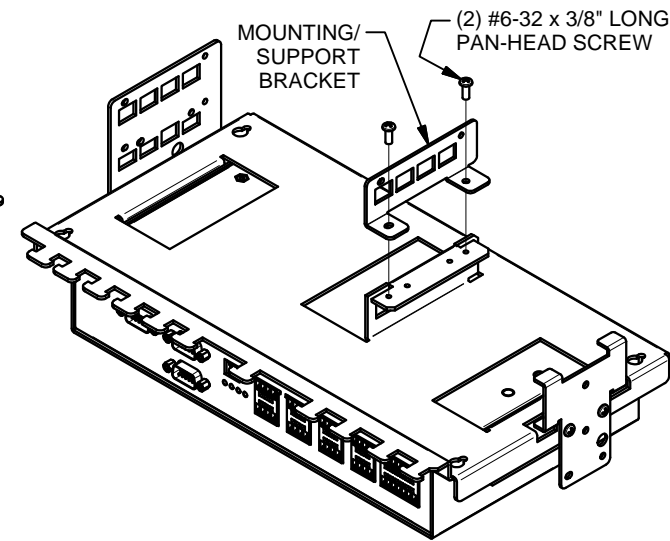


4B. INSTALLING TWO DV-HSW4K-41 UNITS:

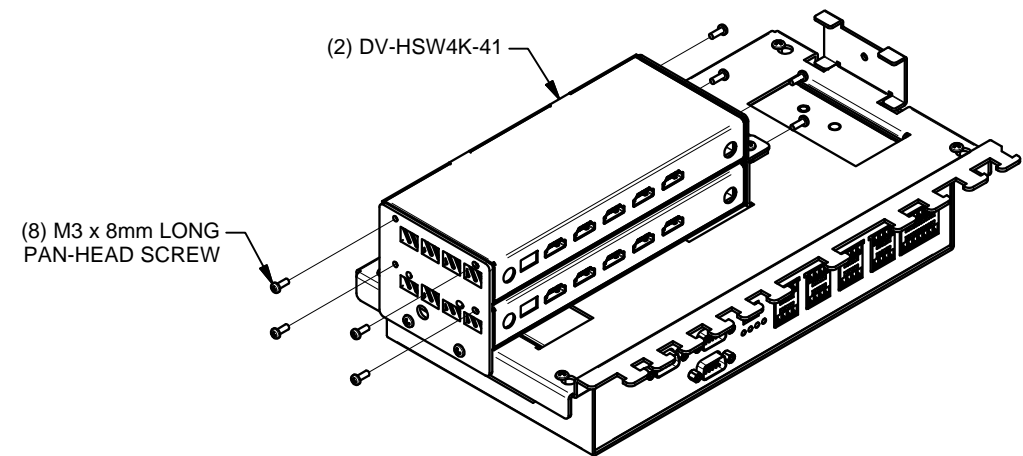
- a. REMOVE DV-HSW4K-41 SIDE BRACKET AND REINSTALL TO NEW POSITION ONTO BASE PLATE.



- b. INSTALL DV-HSW4K-41 MOUNTING/SUPPORT BRACKET TO BASE PLATE WITH SUPPLIED #6 HARDWARE.

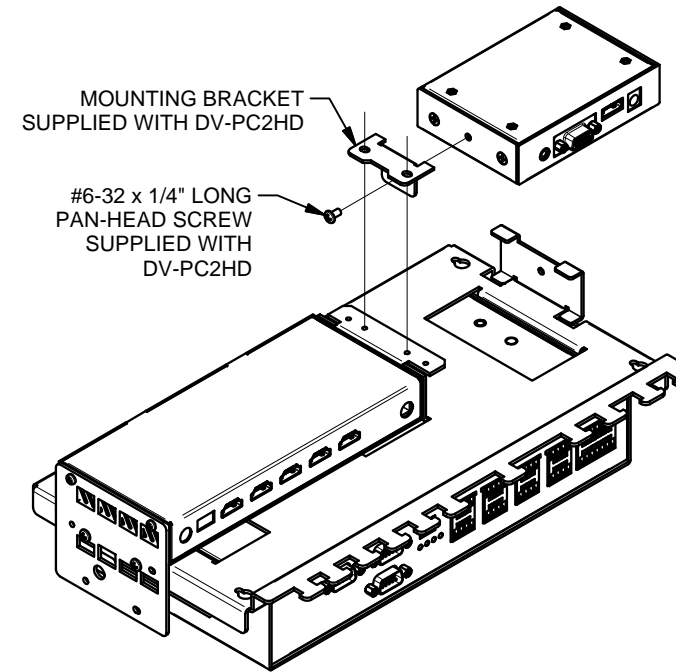


- c. INSTALL DV-HSW4K-41 TO BASE PLATE WITH SUPPLIED M3 HARDWARE.

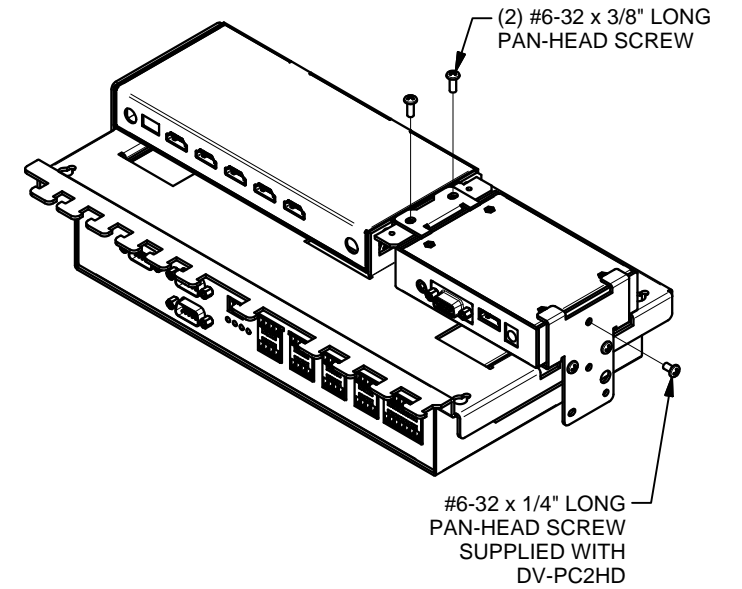


5A. INSTALLING ONE DV-PC2HD UNIT:

- a. INSTALL MOUNTING BRACKET TO DV-PC2HD WITH #6 HARDWARE (MOUNTING BRACKET AND #6 HARDWARE SUPPLIED WITH DV-PC2HD).

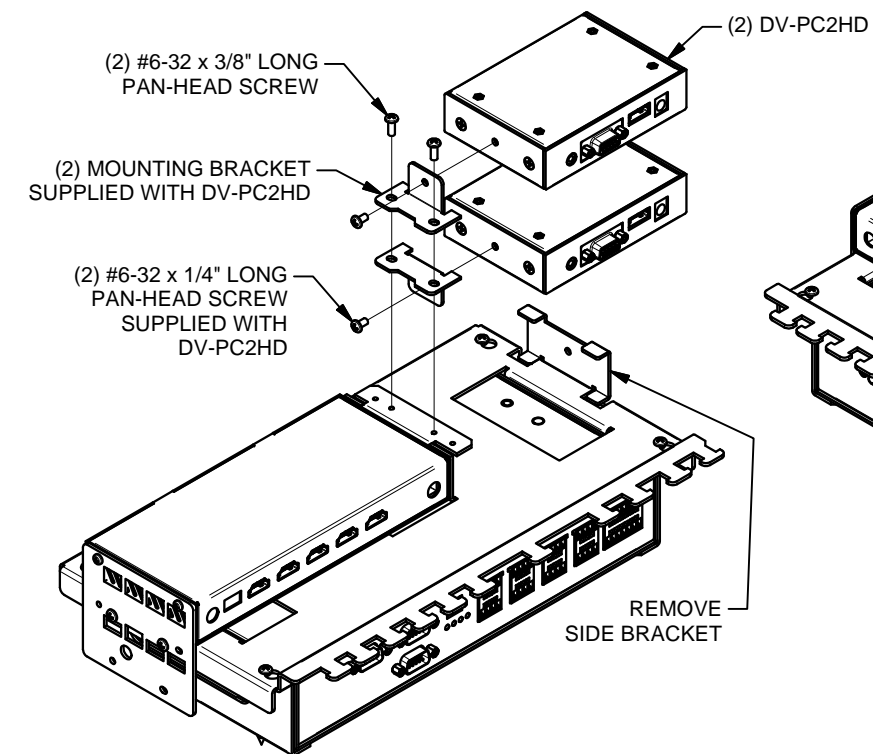


- b. INSTALL DV-PC2HD WITH ATTACHED MOUNTING BRACKET TO BASE PLATE WITH SUPPLIED #6 HARDWARE AND #6 HARDWARE SUPPLIED WITH DV-PC2HD.



5B. INSTALLING TWO DV-PC2HD UNITS:

- a. REMOVE DV-PC2HD SIDE BRACKET. INSTALL MOUNTING BRACKET TO DV-PC2HD WITH #6 HARDWARE (MOUNTING BRACKET AND #6 HARDWARE SUPPLIED WITH DV-PC2HD). INSTALL DV-PC2HD WITH ATTACHED MOUNTING BRACKET TO BASE PLATE WITH SUPPLIED #6 HARDWARE.



- b. REINSTALL SIDE BRACKET TO BASE PLATE AND SECURE DV-PC2HD WITH #6 HARDWARE SUPPLIED WITH DV-PC2HD.

