



Touchboards
 205 Westwood Ave, Long Branch, NJ 07740
 Phone: 866-94 BOARDS (26273) / (732)-222-1511
 Fax: (732)-222-7088 | E-mail: sales@touchboards.com

HUDDLEVU

Collaboration with Ease and Elegance

Collaboration, Interactive Learning, Mini Meetings or Huddle Stations! Whatever name you give it, students, doctors, or business professionals gather to work together on projects, perform research and review completed works. HuddleVU is the perfect collaboration solution.

NOW OFFERING TABLES AND CABLE RETRACTORS

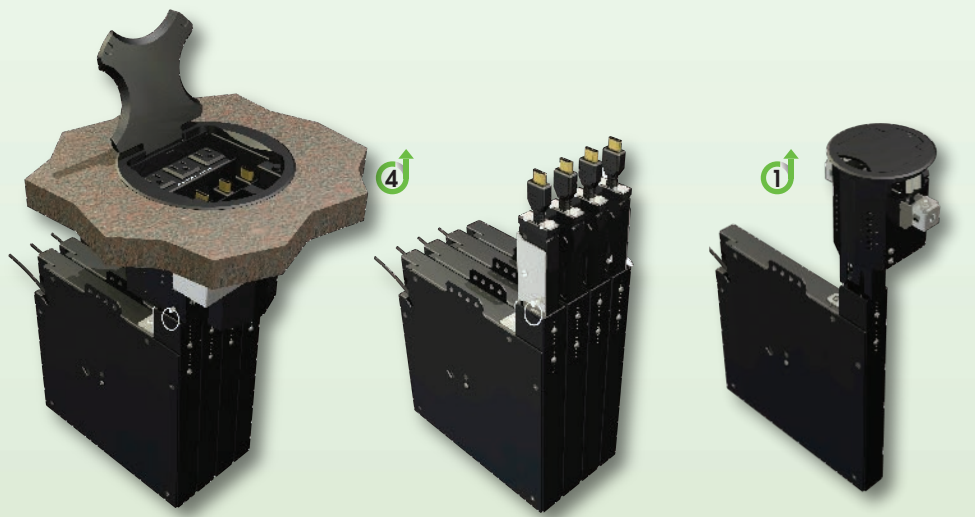
LIT1469B



Accessories

Cable RETRACTORS

FSR's Cable Retractors balance form and function, making tangle-free cable management an easy task. This cable management system offers convenience as well as cable storage and protection, hiding unsightly cables when not in use. The cables can be quickly deployed by the user and extend to any length, up to four feet. A simple pull and release of the extended cable is all that is needed to return the cable to the protective reel. No button release is required.



TBRT with T-6 Series Table Box TRBT Retractors TRBT with T3-IPS Series Table Box

Sample illustration of configuration with Table Boxes. Boxes sold separately.

DV-HMSW4K-88 – 8x8 HDMI Matrix

The DV-HMSW4K-88 8x8 HDMI Matrix routes eight HD sources to any eight HD outputs. The unit supports 1080p Full HD up to 4K plus all 3D formats, along with multichannel digital audio formats such as PCM, Dolby® True HD and DTS-HD® Master Audio™. Switching and other commands can be implemented using the front-panel push buttons, IR remote control, RS-232, or via TCP/IP. Includes 9 IR receivers, 8 IR Transmitters, handheld IR Remote Control and Power Supply.



DV-HAS – HDMI Audio Separator

- Compact and Practical Design
- Great retrofit for existing systems without changing/upgrading/downgrading HDMI sources and displays
- HDCP (High-bandwidth Digital Content Protection)
- Fully compliance to HDMI standards
- Resolution: Up to 1080p (1920 x1080) @60Hz, PC up to 1920 x1200 @60hz



DV-PC2HCD – Analog PC to HDMI Converter

The DV-PC2HD converts a variety of VGA signals and stereo audio to HDMI. It can be very useful in applications with sources that do not provide an HDMI output such as older PC's and laptops. The signal resolution at the HDMI output is dependent on the VGA input resolution. The unit is easy to install, operate and does not require any adjustments.



Select your System

HV-INDIVIDUAL

This system handles 3 to 7 participants, each with their own HV-T3 Table Control (photo shown). The units are mounted around the table in the appropriate positions for the users. If you are working with a smaller table, you can order a version of this table box for two participants.

Depending on the number of users, each system may include: 1 or 2 HDMI switchers, a controller and individual HV-T3s.

HV-1000 SYSTEM

The HV-1000 System is designed for up to 4 users sharing a single Table Control unit. Color coded HDMI cables, which are included with the system, match the corresponding integrated button on the HV-T6 Table Control unit.

The HV-1000 System includes an HV-T6 table control unit, a controller, a switcher, and cabling for up to 4 users.

Two individual HV-T3 Table Boxes can be added for two additional inputs on "D" shaped tables.

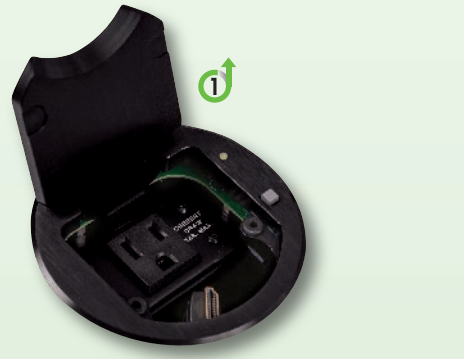
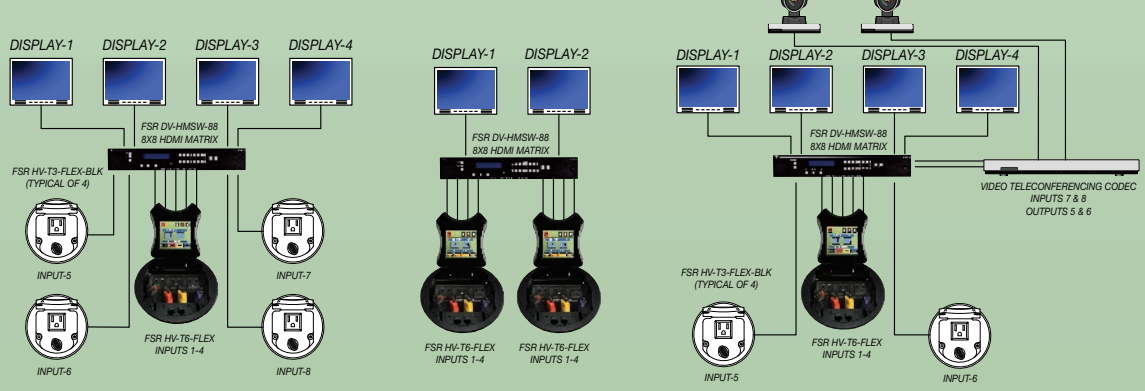
HV-T6-FLEX SYSTEM

The Ultimate Collaboration System. It includes all of the features and options of the HuddleVU with the sophisticated and award winning Flex Control System.

This system allows HuddleVU to integrate cameras, teleconferencing systems, recording, playback and streaming equipment, lighting, shade control and much more!

HuddleVU Flex's intelligence and scheduler allows the system to automatically power down when not in use. It can also alert staff to unintended use or provide pass code security for the system. These features contribute to smart, green rooms. They reduce power consumption and increase bulb life, saving you money.

A few examples of the many system configurations available.



This symbol indicates the device is **RETRACTOR Ready** and accepts the number of retractors shown in the circle.



244 Bergen Boulevard
 Woodland Park, NJ 07424
 800.332.FSR1 · 973.785.4347 · F: 973.785.3318
 W: fsrinc.com · E: sales@fsrinc.com
 © 2014 FSR, Inc. All Rights Reserved.



Collaboration is as simple as 1, 2, 3

Yes, it's that simple!

The attractive HuddleVU Table Control Boxes can have AC and USB power connections and color coded HDMI cables for each user. Simply plug in and push the color button on the rim or icons on the touch screen, and the user's notebook or tablet appears on the screen.

HuddleVU offers several different systems to meet your requirements and budget. While most systems will use only one screen, systems are also available for 2 to 4 screens.

HuddleVU Systems are supplied with:

- Single and Dual Monitor Mounts
- Table Control Units
- Controller
- Switcher(s)
- HDMI Cables

Optional equipment:

- Under Table Rack Mount Kits
- USB Charging Ports
- PC to HDMI Converters
- Remote Switched AC Receptacle(s)
- Wall Plates

Mount HuddleVU in your existing tables or use one of FSR's Custom Collaboration Furniture Solutions.

Excellent switching capability, easy installation and systems to fit every budget!

Only from FSR's HuddleVU.

Custom Collaboration Furniture with a flair!

Crafted furniture designed for collaboration, functionality, and form. If time is a concern, we have stock models for you to select. Or, chose a furniture finish from the Wilsonart Line of Quality laminates and customize your tables. All tables are constructed of a solid wood composite and finished with versatile, exclusive, high quality Wilsonart Laminates that are dramatically more durable than others and keep looking good longer in high use environments.

With the use of our on-line configuration tools ordering could not be easier. Simply decide if you want to have Color Coded Push Button Control or use our exclusive FLEX Touch Screen Control for your HuddleVU System and the configurator will walk you through the rest of the features and selections you need to make to complete your design.

Currently there are 3 models available: Table Height, Counter Height, and The Dugout.

Tables ship directly from the factory precut to accept the HuddleVU Table Box configuration you specified in your order. All of the mounting shelves ship installed to speed your installations on-site, reducing installation time and assisting in the standardization of your installations.

The optional Vertical Back Panel has been optimally designed to accept a single display from 40" to 56" in size, or dual displays from 32" to 46". Both sides of the vertical back panels are laminated as well so it can be used in open office situations standing clear of any walls. The integrated cable management also adds to the elegance of these units by eliminating unsightly cabling while still providing an economical solution for education, corporate, and medical environments.

HuddleVU Collaboration Tables

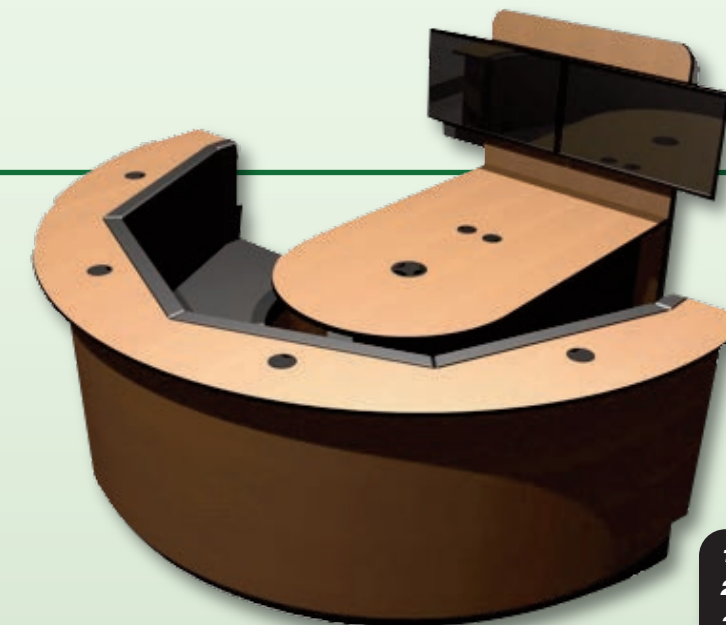
- Tables are built to accommodate 4, 5, 6, or 7 active participants (inputs)
- Table bases are designed to contain all of the HuddleVU & HuddleVU FLEX equipment & cabling with ample room for PC's and other fixed equipment
- Currently stocked in light maple finish
- Vertical Back Panel is available separately and can hold a single or dual monitors
- Cable management is integrated into the vertical back panels
- All of the HuddleVU Table Boxes accept FSR's TBRT Cable **RETRACTORS**



Shown with HuddleVU T6-FLEX

HVTB-TBL-TH-MPL Table Height Collaboration Table

With HVTB-WPNL-MPL Vertical Panel And HVTB-SMM Single Monitor Mount For 4 to 6 Users



Dugout Collaboration System

Shown with: · HuddleVU-FTC-B System Components
· HVTB-TBL-TH-MPL Table Unit
· Dugout Seating Unit with 4 T3-IPS Table Boxes



1. Select your table type
2. Select your system
3. Visit www.fsrinc.com to configure



Laminates by: Wilsonart



Lift the cover



Plug in Laptop or Mobile Device



Push the button



Collaborate

HuddleVU System Configurations

Color Coded Push Button Controlled (PBC) HuddleVU Systems

PBC-A

- Uses 1 HuddleVU T6 Table Box
- 4 Table-top accessed HDMI Inputs (Optional input types: VGA (2), DisplayPort, or Mini DisplayPort)
- Can fit up to 4 Cable **RETRACTORS**
- Up to 3 auxiliary inputs for fixed devices (media device or PC mounted in table base)
- Output for one display (not supplied), can be mounted on Vertical Back Panel (available separately)

PBC-B

- Uses 1 HuddleVU T6 Table Box, and 2 T3-FLEX Table Boxes
- 6 Table Top Accessed HDMI Inputs (Optional input types: VGA (4), DisplayPort, or Mini DisplayPort)
- Can fit up to 6 Cable **RETRACTORS** (4 in T6 & 1 in each T3)
- One auxiliary input a for fixed device (media device or PC mounted in table base)
- Output for one display (not supplied), can be mounted on Vertical Back Panel (available separately)

PBC-C

- Uses 5 HuddleVU T3 Table Boxes
- 5 Table Top Accessed HDMI Inputs (Optional input types: VGA (5), DisplayPort, or Mini DisplayPort)
- Output for one display (not supplied), can be mounted on Vertical Back Panel (available separately)

FLEX Touch Screen Controlled (FTC) HuddleVU Systems

FTC-A

- Uses 1 HuddleVU T6-FLEX Table Box with built-in touch screen control system
- 4 Table-top accessed HDMI Inputs (2 additional inputs are optional) as well as VGA(2), DisplayPort, or Mini DisplayPort)
- Can fit up to 4 Cable **RETRACTORS**
- Up to 4 auxiliary inputs for fixed devices (media device or PC mounted in table base)
- Includes DV-HMSW4K-88 8x8 4K HDMI Matrix Switcher
- Output for one to four (or more) displays (not supplied)
- Vertical Back Panel is available separately and can hold a single or dual monitors

FTC-B

- Uses 1 HuddleVU T6-FLEX Table Box with built-in touch screen control system and 2 T3-FLEX Table Boxes
- 6 Table-top accessed HDMI Inputs (2 additional inputs are optional) (Optional input types: VGA(4), DisplayPort, or Mini DisplayPort)
- Can fit up to 6 Cable **RETRACTORS** (4 in T6 & 1 in each T3)
- Up to 2 auxiliary inputs for fixed devices (media device or PC mounted in table base)
- Includes DV-HMSW4K-88 8x8 4K HDMI Matrix Switcher
- Output for one to four (or more) displays (not supplied)
- Vertical Back Panel is available separately and can hold a single or dual monitors

FTC-C

- Uses 1 HuddleVU T6-FLEX Table Box with built-in touch screen & control system and 4 T3-FLEX Table Boxes
- 8 Table-top accessed HDMI Inputs (Optional input types: VGA(6), DisplayPort, or Mini DisplayPort)
- Can fit up to 6 Cable **RETRACTORS** (4 in T6 & 1 in each T3)
- Includes DV-HMSW4K-88 8x8 4K HDMI Matrix Switcher
- Output for one to four (or more) displays (not supplied)
- Vertical Back Panel is available separately and can hold a single or dual monitors

DUGOUT SEATING UNITS

- HuddleVU Dugout seats up to 12 users
- Provides seating for the FSR table height tables
- The Dugout's two additional seating areas can be utilized for handicapped seating as required (ADA Compliant)
- The Dugout's outer counter has AC power and device charging via T3-IPS Table Boxes
- The Dugout can be custom ordered in a variety of table finishes available and upholstery colors to match existing décor