

CHARGING SOLUTIONS

POWER OVER ETHERNET TO USB CHARGER



IT-CHRG-P2U

- Stand alone PoE to USB charger
- Compatible with iPad® and iPhone® mobile digital devices
- Delivers a full 10 Watts

Patent Pending



IT-WPCHRG-P2U

- Wall Plate PoE to USB charger
- Compatible with iPad and iPhone mobile digital devices
- Delivers a full 10 Watts
- Available in White, Black and Ivory

Patent Pending

DC SUPPLY TO USB CHARGER



IT-USB-CHRG

- Wall Plate DC to USB charger
- Compatible with iPad and iPhone mobile digital devices
- Delivers a full 12 Watts
- Available in White and Black

Patent Pending



SS-USB-CHRG

- Keystone DC to USB charger
- Compatible with iPad and iPhone mobile digital devices
- Delivers a full 12 Watts
- Available in Black

Patent Pending



IPS-D717S

- IPS DC to USB charger
- Compatible with iPad and iPhone mobile digital devices
- Delivers a full 12 Watts
- Available in White, Black and Ivory

Patent Pending



SS-USB-CHRG-PS6

- Remotely powers up to six (6) DC powered USB chargers
- Rack mounted

Each DC Version Includes Power Supply

Power Cable Requirements by Distance

- 16AWG - 105'
- 18AWG - 100'
- 20AWG - 65'



244 Bergen Boulevard
Woodland Park, NJ 07424
800.332.FSR1 · 973.785.4347 · F: 973.785.3318
W: fsrinc.com · E: sales@fsrinc.com

© 2014 FSR, Inc. All Rights Reserved.

ORDERING INFORMATION

WALL MOUNT ORDERING INFORMATION

Wall Mount Ordering Options

Surface Mount for iPad 2, 3rd and 4th generation iPads

- WE-IPD2-SLV (Silver)
- WE-IPD2NB-SLV (Slvr. No Home Button Access)
- WE-IPD2-BLK (Black)
- WE-IPD2NB-BLK (Blk.No Home Button Access)
- WE-IPD2-WHT (White)
- WE-IPD2NB-WHT (White No Home Button Access)

Flush Mount for iPad 2

- WE-FMIPD2-WHT (White)
- WE-FMIPD2NB-WHT (Wht. No Home Button Access)
- WE-FMIPD2-BLK (Black)
- WE-FMIPD2NB-BLK (Blk. No Home Button Access)

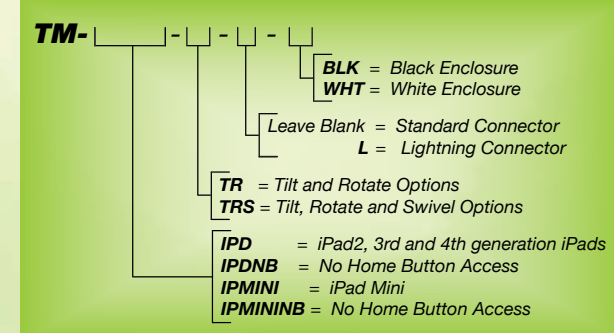
Surface Mount for iPad Mini

- WE-IPMINI-SLV (Silver)
- WE-IPMININB-SLV (Slvr. No Home Button Access)
- WE-IPMINI-BLK (Black)
- WE-IPMININB-BLK (Blk. No Home Button Access)
- WE-IPMINI-WHT
- WE-IPMININB-WHT (White No Home Button Access)

Flush Mount for iPad Mini

- WE-FMIPMINI-WHT (White)
- WE-FMIPMININB-WHT (Wht. No Home Button Access)
- WE-FMIPMINI-BLK (Black)
- WE-FMIPMININB-BLK (Blk. No Home Button Access)

TABLE MOUNT ORDERING INFORMATION



Example: A TM-IPDNB-TRS-L-WHT would be a TM-IPD table mount for an iPad2, 3rd and 4th generation iPads with No Home Button Access, Tilt, Rotate and Swivel mechanics and Lightning Connector in White.

Specifications are subject to change without notice.



© iPad is a registered trademark of Apple Inc., registered in the US and other countries. The products contained on these pages are not endorsed by or affiliated with Apple Inc.

Touchboards

205 Westwood Ave, Long Branch, NJ 07740
Phone: 866-94 BOARDS (26273) / (732)-222-1511
Fax: (732)-222-7088 | E-mail: sales@touchboards.com



Step into the orchard...



NEW! Mount for iPad Mini

Portrait, Landscape or Tilt

Swivel version

with FSR's complete family of professional

Accessories for iPad® Mobile Digital Devices

FSR has designed a family of mounts and chargers that are compatible with iPad mobile digital devices and meet the needs of the professional market. The goal was to design products that are aesthetically pleasing and durable while protecting the iPad from opportunistic theft.

We have achieved this with a full line of wall mounts and table mounts for the iPad and iPad Mini. The mounts are made of steel and aluminum, look great, and meet the needs of daily use.

FSR has also designed a line of patented charging solutions to compliment the iPad. These chargers are available as stand alone modules, keystone inserts, or as inserts in the IPS family of customizable wall plates.

Don't trust your fixed install iPads to just anyone! Install and power them with confidence and cutting edge solutions from FSR.

Mounts for Apple Air & other Mobile Digital Devices available by special order.

WALL MOUNT SOLUTIONS



SURFACE MOUNT



FSR's surface mount for iPad® mobile digital devices is the perfect solution for existing construction and installations where surface mounting is preferable.

The enclosure mounts to a standard 2-gang electrical box. The pattern of mounting holes allows the enclosure to be mounted either centered or off-center of the electrical box as well as in either the landscape or portrait position.

The 2-gang electrical box provides a place to install the PoE to USB charger to supply power to the iPad. The patented charger provides a full 10 watts of iPad mobile digital device compatible power, to ensure uninterrupted service.

The cover features rounded corners for safety and aesthetics and is held closed by recessed security screws deterring theft.

The cover is available in either an aluminum, white, or black finish, and with or without access to the Home button and camera to support the specific needs of the installation.

The enclosure is available for the iPad 2, 3rd and 4th generation iPads or iPad Mini mobile digital devices.



FLUSH MOUNT



The flush mount enclosure is perfect for new construction or installations where housing the iPad within the wall is desired.

The enclosure mounts within a standard 3" or 4" wall, and houses the iPad in either portrait or landscape position. The cover can be ordered with or without access to the Home button to support the specific needs of the installation.

The enclosure has a space to hold FSR's patented PoE to USB charger. This charger provides a full 10 watts of iPad compatible power, to ensure uninterrupted operation.

The flush mount enclosure is available in white or black finish for the iPad 2, 3rd and 4th generation iPads, and the iPad Mini.

TABLE MOUNT SOLUTIONS

FSR's table mount enclosures for iPad® mobile digital devices are the perfect solution for fixed installations in the boardroom, classroom, or retail applications.

The enclosures tilt 15° to 60° from vertical to ease readability from either a standing or sitting position.

The enclosures can rotate 90° to support landscape and portrait positions. Optionally, the enclosure can be locked in either position, if required by the needs of the installation.

The S (swivel) versions of the enclosures add the ability to swivel more than 90° left and right, to support multiple users sharing a single iPad.

The enclosures can either simply sit on the table or be permanently affixed in position. Integrated cable management gives the installation a clean appearance and ensures the cables will not snag or tangle during tilt, swivel and rotate moves.

Power can be supplied to the iPad from either the Apple® supplied charger, or via FSR's patented PoE to USB charger. The charger can be housed in the base of the enclosure for a clean appearance, and supplies a full 10 watts of iPad compatible power for uninterrupted service.

The table mount enclosures are available for the iPad 2, 3rd and 4th generation iPads, or iPad mini mobile digital devices, and can be ordered with a white or black finish.



Swivel version
Enclosure can Swivel 90°
Left and Right



TM-IPD Portrait Position



TM-IPD Landscape Position



Enclosure can tilt
from 15° to 60°



Enclosure Shown with Back Cover in Place
and Open to show PoE to USB Charger



TM-IPMINI Portrait



Enclosure can Swivel 90°
Left and Right



TM-IPMINI Landscape



Enclosure can tilt from 15° to 60°