

IPD Wall Mounts **Elegant & Practical Mounting** **for iPad® Mobile Digital Devices**

FSR

Control Products Group

IPD Wall Mounts



Surface Mount

Flush Mount

SURFACE MOUNT

FSR's surface mount for iPad® mobile digital devices is the perfect solution for existing construction and installations where surface mounting is preferable.

The enclosure mounts to a standard 2-gang electrical box. The pattern of mounting holes allows the enclosure to be mounted either centered or off-center of the electrical box as well as in either the landscape or portrait position.

The 2-gang electrical box provides a place to install the PoE to USB charger to supply power to the iPad. The patented charger provides a full 10 watts of iPad mobile digital device compatible power to ensure uninterrupted service.

The cover features rounded corners for safety and aesthetics and is held closed by recessed security screws deterring theft.

The cover is available in either an aluminum, white or black finish and with or without access to the Home button and camera to support the specific needs of the installation.

The enclosures are available for the iPad 2,3,4, iPad Air 1,2, or iPad Mini 1,2,3 mobile digital devices.

FLUSH MOUNT

The flush mount enclosure is perfect for new construction or installations where housing the iPad within the wall is desired.

The enclosure mounts within a standard 3" or 4" wall and houses the iPad in either the portrait or landscape position. The cover can be ordered with or without access to the Home button and camera to support the specific needs of the installation.

The enclosure has a space to hold FSR's patented PoE to USB charger. This charger provides a full 10 watts of iPad compatible power to ensure uninterrupted operation.

See ordering table on back for specific configurations.

® iPad is a registered trademark of Apple Inc., registered in the US and other countries. The products contained on these pages are not endorsed by or affiliated with Apple Inc.

Touchboards

205 Westwood Ave, Long Branch, NJ 07740
Phone: 866-94 BOARDS (26273) / (732)-222-1511
Fax: (732)-222-7088 | E-mail: sales@touchboards.com

FSR Inc.

244 Bergen Boulevard, Woodland Park, NJ 07424
Phone: 973.785.4347 · Fax: 973.785.4207

Web: www.fsrinc.com · E-mail: sales@fsrinc.com LIT1420A

ORDERING OPTIONS

Surface Mount Enclosure

Item #	Model Number	iPad	Button	Camera	Color
17321	WE-IPD2-SLV	2,3,4	Y	Y	Silver
17322	WE-IPD2-BLK	2,3,4	Y	Y	Black
17435	WE-IPD2-WHT	2,3,4	Y	Y	White
17323	WE-IPD2NB-SLV	2,3,4	N	N	Silver
17324	WE-IPD2NB-BLK 2	2,3,4	N	N	Black
17436	WE-IPD2NB-WHT2	2,3,4	N	N	White
MTO	WE-IPDair-SLV	Air 1,2	Y	Y	Silver
17881	WE-IPDair-BLK	Air 1,2	Y	Y	Black
17806	WE-IPDair-WHT	Air 1,2	Y	Y	White
17917	WE-IPDairNB-SLV	Air 1,2	N	N	Silver
17954	WE-IPDairNB-BLK	Air 1,2	N	N	Black
MTO	WE-IPDairNB-WHT	Air 1,2	N	N	White
17588	WE-IPmini-SLV	mini 1,2,3	Y	Y	Silver
17589	WE-IPmini-BLK	mini 1,2,3	Y	Y	Black
17590	WE-IPmini-WHT	mini 1,2,3	Y	Y	White
17591	WE-IPminiNB-SLV	mini 1,2,3	N	Y	Silver
17592	WE-IPminiNB-BLK	mini 1,2,3	N	Y	Black
17593	WE-IPminiNB-WHT	mini 1,2,3	N	Y	White

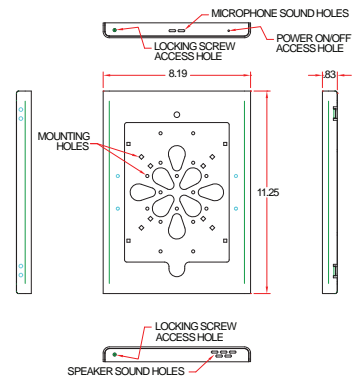
Flush Mount Enclosure

17510	WE-FMIPD-WHT	2,3,4	Y	Y	White
17511	WE-FMIPD-BLK	2,3,4	Y	Y	Black
17512	WE-FMIPDNB-WHT	2,3,4	N	Y	Whit
17513	WE-FMIPDNB-BLK	2,3,4"	N	Y	Black
MTO	WE-FMIPDair-WHT	Air 1,2	Y	Y	White
MTO	WE-FMIPDair-BLK	Air 1,2	Y	Y	Black
17948	WE-FMIPDairNB-WHT	Air 1,2	N	Y	White
17916	WE-FMIPDairNB-BLK	Air 1,2	N	Y	Black
17514	WE-FMIPMINI-WHT	mini 1,2,3	Y	Y	White
17515	WE-FMIPMINI-BLK	mini 1,2,3	Y	Y	Black
17516	WE-FMIPMININB-WHT	mini 1,2,3	N	Y	White
17517	WE-FMIPMININB-BLK	mini 1,2,3	N	Y	Black

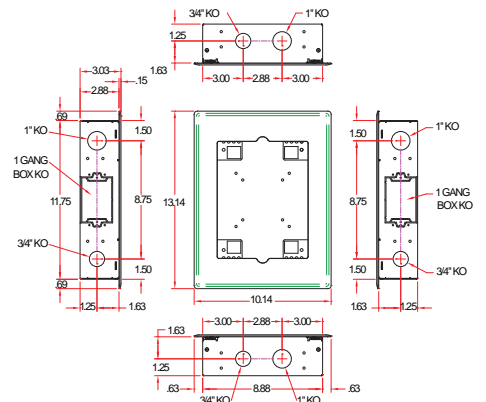
Charging Solution

Item #	Model Number	Description	Color
17320	IT-CHRG-P2U	POE to USB Charger Brick	Black
17401	IT-WPCHRG-P2U-WHT	POE to USB Decora' Wall Plate	White
17402	IT-WPCHRG-P2U-BLK	POE to USB Decora' Wall Plate	Black
17403	IT-WPCHRG-P2U-IVO	POE to USB Decora' Wall Plate	Ivory
17459	SS-USB-CHRG	Keystone, 12w Output, w/ PS	Black
17614	SS-USB-CHRG-NPS	Keystone, 12w Output, w/o PS	Black
17460	IT-USB-CHRG-W	1-Gang with Keystone and PS	White
17461	IT-USB-CHRG-B	1-Gang with Keystone and PS	Black
17587	SS-USB-CHRG-PS6	Power Supply for 6 SS-USB-CHRG	

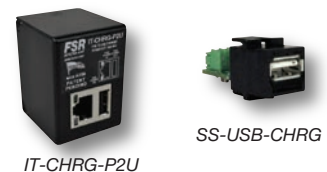
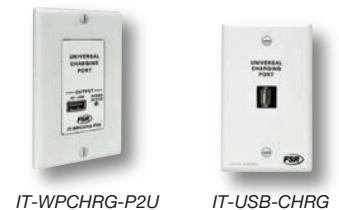
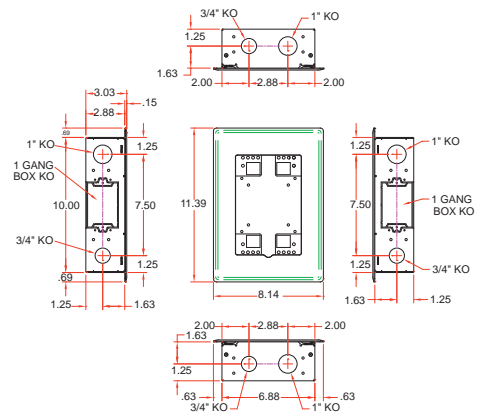
SURFACE MOUNT WE-IPD2



FLUSH MOUNT WE-FMIPD



FLUSH MOUNT WE-FMIPDMINI



Specifications are subject to change without notice.

FSR Inc.

244 Bergen Boulevard, Woodland Park, NJ 07424

Phone: 973.785.4347 · Fax: 973.785.4207

Web: www.fsrinc.com · E-mail: sales@fsrinc.com