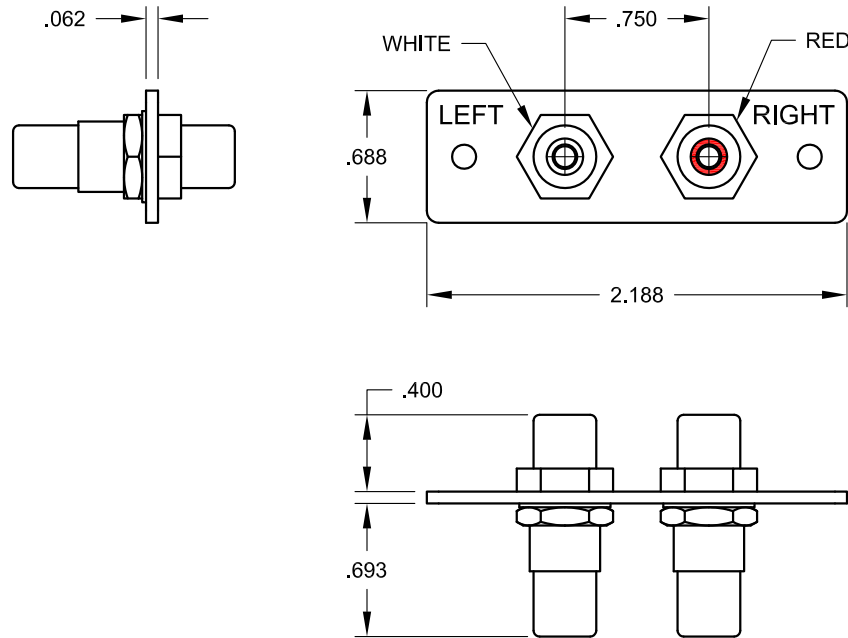




205 Westwood Ave, Long Branch, NJ 07740
Phone: 866-94 BOARDS (26273) / (732)-222-1511
Fax: (732)-222-7088 | E-mail: sales@touchboards.com



ORDER INFORMATION

IPS-A220S-XXX (WITHOUT LABEL)
IPS-A220S-LB-XXX (WITH LABEL)

COLOR KEY:

XXX - BLK (BLACK)
IVY (IVORY)
WHT (WHITE)

RCA (RED AND WHITE) - BULKHEAD TYPE

FSR inc.
244 BERGEN BLVD.
WOODLAND PARK, NJ 07424
TEL (973) 785-4347
FAX (973) 785-3318

| | | |
|--------------------------------------|----------------|---------|
| TITLE: IPS AUDIO INSERT IPS-A220S | | |
| DRAWN BY: JRE | DATE: 04/08/13 | REV: 01 |
| DWG#: IPS-A220S | SCALE: - | |