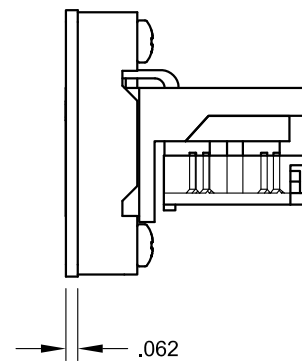
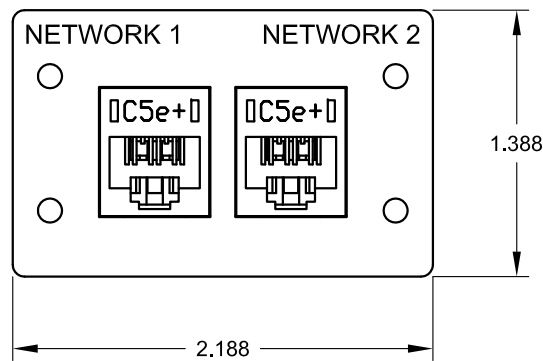
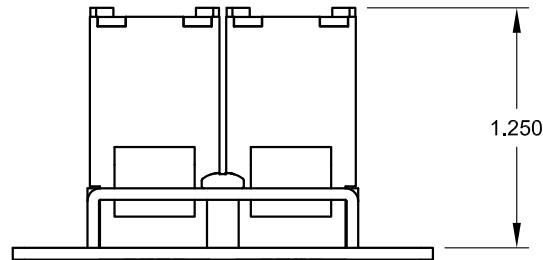




205 Westwood Ave, Long Branch, NJ 07740  
Phone: 866-94 BOARDS (26273) / (732)-222-1511  
Fax: (732)-222-7088 | E-mail: sales@touchboards.com



ORDER INFORMATION

IPS-D720D-XXX (WITHOUT LABEL)  
IPS-D720D-LB-XXX (WITH LABEL)

COLOR KEY:

- XXX - BLK (BLACK)
- IVY (IVORY)
- WHT (WHITE)

RJ-45 (CAT 5e) - PUNCH-DOWN-TYPE TERMINATION

**FSR inc.**  
244 BERGEN BLVD.  
WOODLAND PARK, NJ 07424  
TEL (973) 785-4347  
FAX (973) 785-3318

TITLE: IPS VOICE/DATA INSERT IPS-D720D		
DRAWN BY: JRE	DATE: 04/08/13	REV: 01
DWG#: IPS-D720D	SCALE: -	