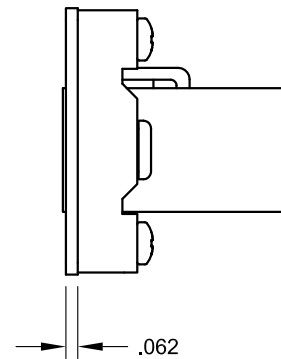
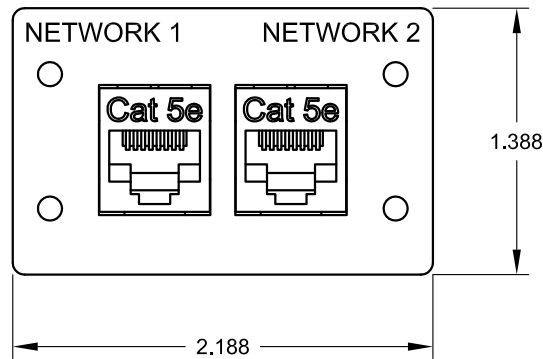
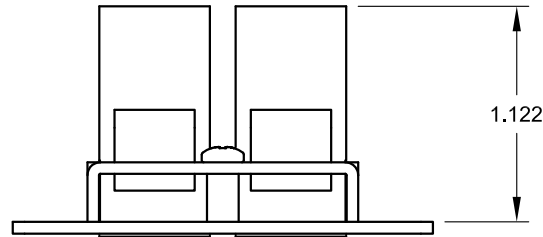




205 Westwood Ave, Long Branch, NJ 07740
 Phone: 866-94 BOARDS (26273) / (732)-222-1511
 Fax: (732)-222-7088 | E-mail: sales@touchboards.com



ORDER INFORMATION

IPS-D721D-XXX (WITHOUT LABEL)
 IPS-D721D-LB-XXX (WITH LABEL)

COLOR KEY:

- XXX - BLK (BLACK)
- IVY (IVORY)
- WHT (WHITE)

DUAL RJ-45 (CAT 5e) - BULKHEAD TYPE

FSR inc.
 244 BERGEN BLVD.
 WOODLAND PARK, NJ 07424
 TEL (973) 785-4347
 FAX (973) 785-3318

TITLE: IPS VOICE/DATA INSERT IPS-D721D		
DRAWN BY: JRE	DATE: 04/08/13	REV: 01
DWG#: IPS-D721D	SCALE: -	