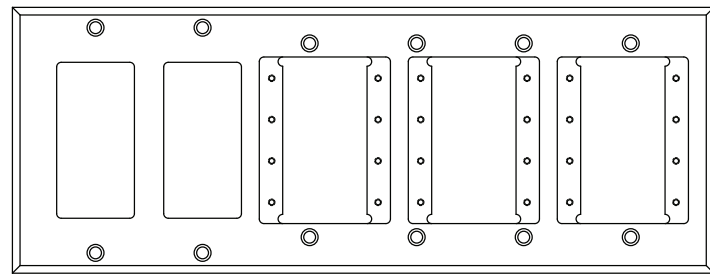
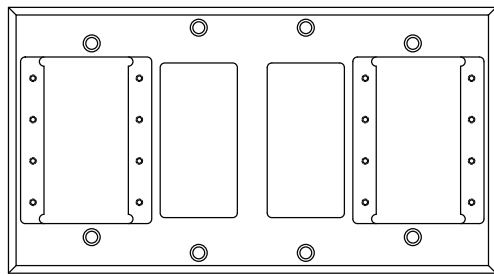
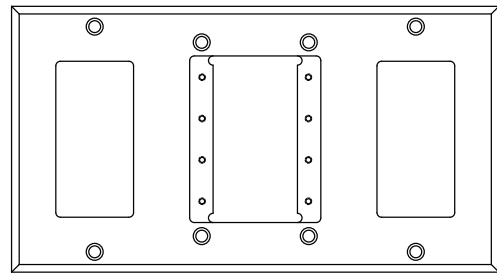
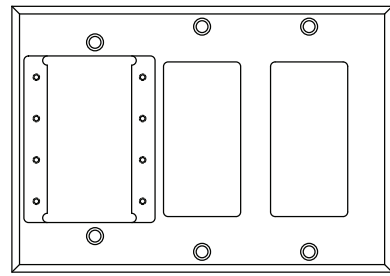
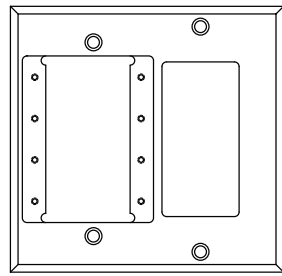
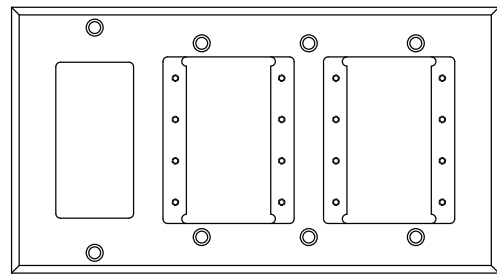
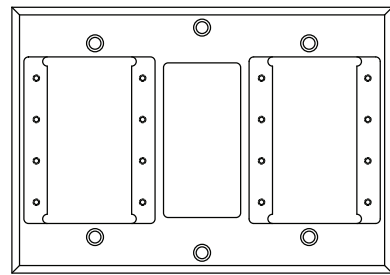
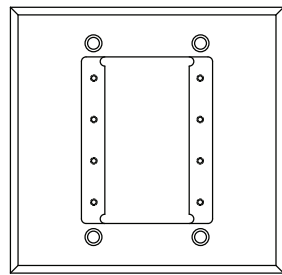
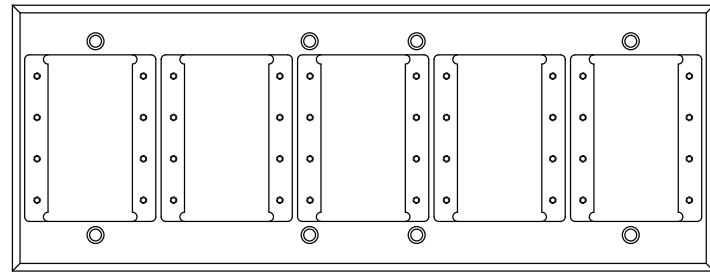
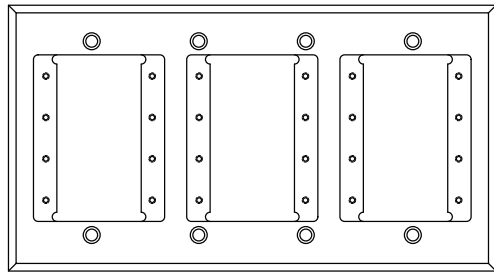
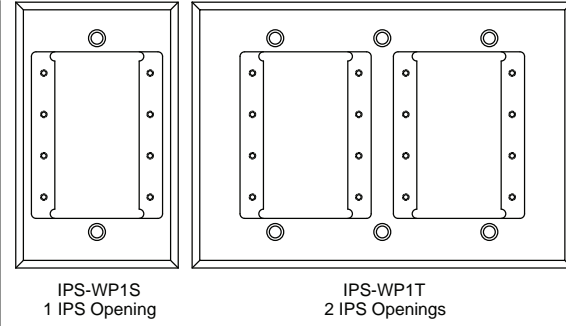
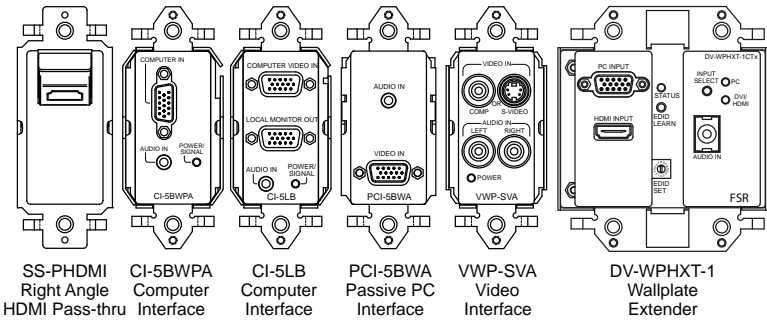


AV Interface Products

IPS Wall Plates



High strength plastic version plates are available. Contact sales for ordering details.



Specifications are subject to change without notice.

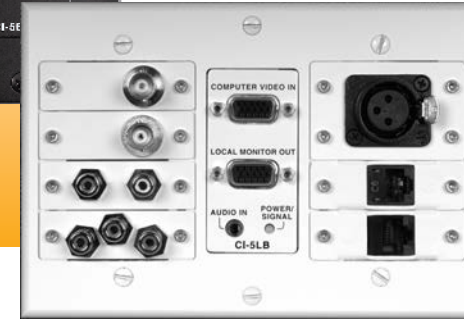


244 Bergen Boulevard, Woodland Park, NJ 07424
 Phone: 973.785.4347 · Fax: 973.785.4207
 Web: www.fsrinc.com · E-mail: sales@fsrinc.com

IPS Series/Simple Solutions Wall & Under Table Connector Solutions



**Lifetime warranty on
 IPS Wall Plates,
 Insert Plates &
 Under Table Mounts**



FSR
 Metal Products Group
Touchboards
 205 Westwood Ave, Long Branch, NJ 07740
 Phone: 866-94 BOARDS (26273) / (732)-222-1511
 Fax: (732)-222-7088 | E-mail: sales@touchboards.com

DESCRIPTION

Simple. Flexible. Affordable.

The IPS (Intelligent Plate Solutions) line is a wide variety of interconnect solutions that satisfies virtually any AV interface application. Customizing just became standard at budget friendly prices.

Create unlimited combinations of connector inserts with this diverse assortment of sleek wall plate and under table mounting styles. Select wall plate opening styles accept only IPS inserts. Other styles accept various combinations of any IPS insert and FSR's Decora inserts, allowing you to mix and match. See illustrations for details on the endless possibilities.

IPS wall plates are manufactured with 1/4" thick milled aluminum, and are designed to have the IPS insert fit flush upon installation. All system components are quick and easy to install and come with all necessary assembly hardware. All inserts and plates are available in white, black and ivory (under table boxes available in black only).

IPS under-table boxes are manufactured of 16-gauge, cold rolled steel and designed to provide easy under table connectivity without ever having to cut a hole in your table.

All assembled units provide visually attractive and functional elements worthy of even the most luxurious architectural environments.

Ordering is simple!

1. Identify part numbers and descriptions using the illustrations.
2. Select your choice of connectors, insert style and color for your application.
3. Choose the wall plate or under table mount that accommodates your selection of inserts and/or connectors.

43907

The Simple Solution (SS) series of Decora style inserts (pictured on page four) are plastic, snap-in connectors. This is part of an existing FSR series that is also compatible with IPS system. SS series is available in white, black, and ivory.

FEATURES

- Unlimited connector combinations
- Rugged and attractive construction
- Convenient connection point for most AV products
- Plates and connectors can be easily added and changed
- Active and passive interfaces available
- Choice of three colors (except UT models: black only)
- Huge choice of schemes

APPLICATIONS

- Classrooms
- Boardrooms
- Conference Rooms
- Control Rooms
- Lecterns
- Lobbies
- Churches
- Airports
- Hotels
- Hospitals



Ordering is simple using "IPS Designer" on the FSR Website

FSR makes designing a fully populated wall plate a few clicks away with its "IPS Planner" accessible on the FSR website. Simply "drag and drop" to load a wall plate with Decora™, IPS and Twister 2 inserts. This "view as you build scheme" allows the user to fully populate wall plates with the desired components in a matter of minutes. A detailed parts list can then be viewed and printed for fast, easy ordering."

FSR Inc.

244 Bergen Boulevard, Woodland Park, NJ 07424
 Phone: 973.785.4347 · Fax: 973.785.4207
 Web: www.fsrinc.com · E-mail: sales@fsrinc.com LIT1150J



Ordering is simple using "IPS Designer" on the FSR Website

IPS Insert Guide

IPS Audio / Video Inserts

IPS-AV230S RCA (RED, WHT, YEL) to Solder Cup	IPS-AV231S RCA (RED, WHT, YEL) to RCA Bulkhead	IPS-AV922S RCA (YEL) to Solder Cup w/3.5mm St. to Solder Cup
IPS-AV920D HD-15 Female to HD-15 Female w/3.5mm St. to Solder Cup	IPS-AV921D HD-15 Female to 5-BNC Tails w/3.5mm St. to Solder Cup	IPS-AV923D 9-Pin D Female to Female Bulkhead w/3.5mm St. to Solder Cup
IPS-AVC940T HD-15 to 5 BNC, 3.5mm St., 2 RJ-45 IDC (Cat 5e)	IPS-AVC941T HD-15 to 5 BNC, 3.5mm St., RCA, RJ-45 IDC (Cat 5e)	IPS-AVC942T HD-15 to 5 BNC, 3.5mm St., S-Video, RJ-45 IDC (Cat 5e)

IPS Video Inserts

IPS-V110S BNC (YEL) to BNC Bulkhead	IPS-V120S BNC (YEL) to BNC Bulkhead	IPS-V130D BNC (GRN, RED, BLU) to BNC Bulkhead
IPS-V210S RCA (YEL) to Solder Cup	IPS-V211S RCA (YEL) to RCA Bulkhead	IPS-V150T BNC (RED, GRN, BLU, BLK, YEL) to BNC Bulkhead
IPS-V213S RCA (YEL) to BNC Bulkhead	IPS-V230S RCA (GRN, BLU, RED) to RCA Bulkhead	IPS-V231D RCA (GRN, RED, BLU) to BNC Bulkhead
IPS-V310S S-Video to 2 BNC Tails	IPS-V610S HDMI Female to Female Bulkhead	IPS-V611T DVI-I Female to Female Bulkhead
IPS-V311S S-Video to S-Video Bulkhead	IPS-V410S HD-15 Female to HD-15 Female	IPS-V911S F-Connector Bulkhead
IPS-V921S RCA (YEL) to BNC S-Video (YEL) to S-Video	IPS-V922S BNC (YEL) to BNC S-Video (YEL) to S-Video	

IPS Audio Inserts

IPS-A220S RCA (RED, WHT) to RCA Bulkhead	IPS-A221S RCA (RED, WHT) to Solder Cup	IPS-A222S RCA (RED, WHT) to Screw Terminal
IPS-A223S RCA (RED, WHT) to Balanced Screw Terminal	IPS-A510S 3.5mm St. to Solder Cup	IPS-A511S 1/8" Stereo Jack to Balanced Screw Terminal
IPS-A512S 1/4" Stereo Jack to Solder Cup	IPS-A522S 1/4" Stereo Jack to Solder Cup	IPS-A610S 3-Pin Mini XLR (Switchcraft)
IPS-A611D Female XLR 3-Pin (Neutrik)	IPS-A612D Male XLR 3-Pin (Neutrik)	IPS-A613D NEUTRIK SPEAKON
IPS-A620S 3-Pin Mini XLR (Switchcraft)		

IPS Blank Inserts

IPS-B000S Single Space Blank	IPS-B000Q Four Space Blank	IPS-B011Q Pass Thru .69" x 1.69" ID Rubber Bushing
IPS-B000D Double Space Blank	IPS-B010D Pass Thru .812" ID Bushing	IPS-B020D Pass Thru 2x .312" ID Bushings
IPS-B030T Pass Thru 2x .312" ID & .812" ID Bushings		

IPS Voice / Data Inserts

IPS-D710S RJ-45 IDC (Cat 5e)	IPS-D711S RJ-45 IDC (Cat 6)	IPS-D712S RJ-45 Bulkhead (Cat 5e)
IPS-D713S RJ-45 Bulkhead (Cat 6)	IPS-D714S RJ-11 IDC	IPS-D715S USB Type A Bulkhead
IPS-D716S USB Type A to Screw Terminal	IPS-D717S USB Type A Charging Dock to Screw Terminal	IPS-D718S USB Type B Bulkhead
IPS-D719S USB Type B to Screw Terminal	IPS-D801S Fiber Bulkhead	IPS-D802S Dual Fiber Bulkhead
IPS-D720D RJ-45 IDC (Cat 5e)	IPS-D722S Shielded CAT 6A Punch-Down	IPS-D723D Two Shielded CAT 6A Punch-Down

Most items above are available in white, ivory or black to match the decor. We are always adding to our IPS and SS line. Please visit our website or contact sales for detailed information.

IPS Insert Guide

IPS AC Insert

IPS-AC110D Enclosed w/8' 14awg Cord
--

IPS Control Inserts

IPS-C410S 9-Pin D Male to Female Bulkhead	IPS-C411S 9-Pin D Male to Solder Cup	IPS-C611S 4-Pin Mini XLR (Switchcraft)
IPS-C612S Hole for Crest Net Cable	IPS-C910S 1 Momentary Button w/Lamp 5-24V	IPS-C920S 2 Momentary Buttons w/Lamp 5-24V
IPS-C610D Female XLR 4-Pin (Neutrik)	IPS-C710D Neutrik RJ-45	

Simple Solutions Inserts (Decora)

SS-PBLNK	SS-PORT3	SS-PORT4	SS-PORT6	SS-P2DB	SS-P1DB	SS-PDSXL	SS-P2XLR	SS-P1XLR	SS-DDUP (Includes Wall Plate)		
SS-BNC	SS-FCON	SS-HDMI	SS-MINI	SS-RCA-B	SS-RCA-Y	SS-RJ11	SS-RJCAT6	SS-SCON	SS-SWMAIN	SS-SWBAHW	SS-SWBBHW

Shielded CAT6A Punch-Down

Wall Plates

SS-DPLT-1 1 Gang Decora Wall Plate	SS-DPLT-2 2 Gang Decora Wall Plate	SS-DPLT-3 3 Gang Decora Wall Plate	SS-DPLT-4 4 Gang Decora Wall Plate
---------------------------------------	---------------------------------------	---------------------------------------	---------------------------------------

IPS Under Table Mounts

IPS-UT11 1 IPS Opening	IPS-UT21 2 IPS Openings	IPS-UT31 3 IPS Openings
IPS-UT12 2 IPS Openings	IPS-UT22 4 IPS Openings	IPS-UT32 6 IPS Openings

IPS Rack Mount

IPS-RK12 1 RU Full Rack
