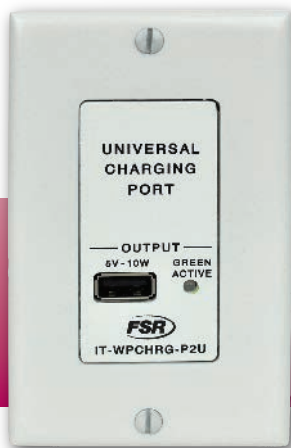


## PoE to USB Chargers



IT-WPCHRG-P2U



IT-CHRG-P2U

Using FSR's PoE to USB chargers, you can power and charge USB devices such as an iPad® from a POE-Ethernet drop without the need for AC line power. The IT-CHRG-P2U cube style model can be mounted in a 2-gang wall box behind an FSR IPD wall mount or other wall mounted USB devices. Both units emulate the Apple™ charging circuit to avoid annoying pop-ups. The IT-WPCHRG-P2U Decora style models fit directly into a standard gang box and are available with white, black or ivory cover plates.

The PoE to USB chargers will operate and charge the iPad®, iPod®, iPhone® and most other USB powered devices. The output side is rated at 5VDC@2A/10W and both models derive ample power from a standard POE network connection.

FSR's iPad  
Wall Enclosure

Products not shown to scale.

© iPad is a registered trademark of Apple Inc., registered in the US and other countries. The products contained on these pages are not endorsed by or affiliated with Apple Inc.

# FSR

## Power Products Group

Patent Pending  
Charging Solution

## Touchboards

205 Westwood Ave, Long Branch, NJ 07740  
Phone: 866-94 BOARDS (26273) / (732)-222-1511  
Fax: (732)-222-7088 | E-mail: sales@touchboards.com

### FEATURES

- Powers/charges USB devices without an AC line
- Compatible with USB 2.0 and power switch requirements
- Universal USB charger
- Power "ON" indicator
- IEEE 802.3at Type1 Class 0  
IEEE 802.3af

### ORDERING INFORMATION

#### IT-CHRG-P2U

PoE to USB Universal, Charger Cube

#### IT-WPCHRG-P2U- (BLK, WHT)

POE to USB Universal, Charger Wallplate

### OTHER CHARGERS OFFERED

DC powered USB chargers\*

IT-USB-CHRG  
(BLK, WHT)IPS-D717S  
(BLK, WHT, IV)SS-USB-CHRG  
(BLK, WHT)

SS-USB-CHRG-PS6

\*For detailed information see LIT1449.

### FSR Inc.

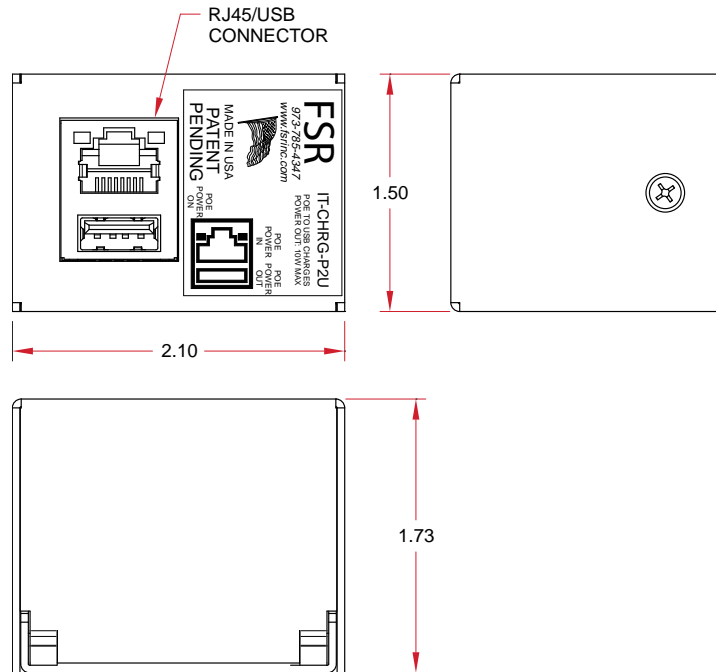
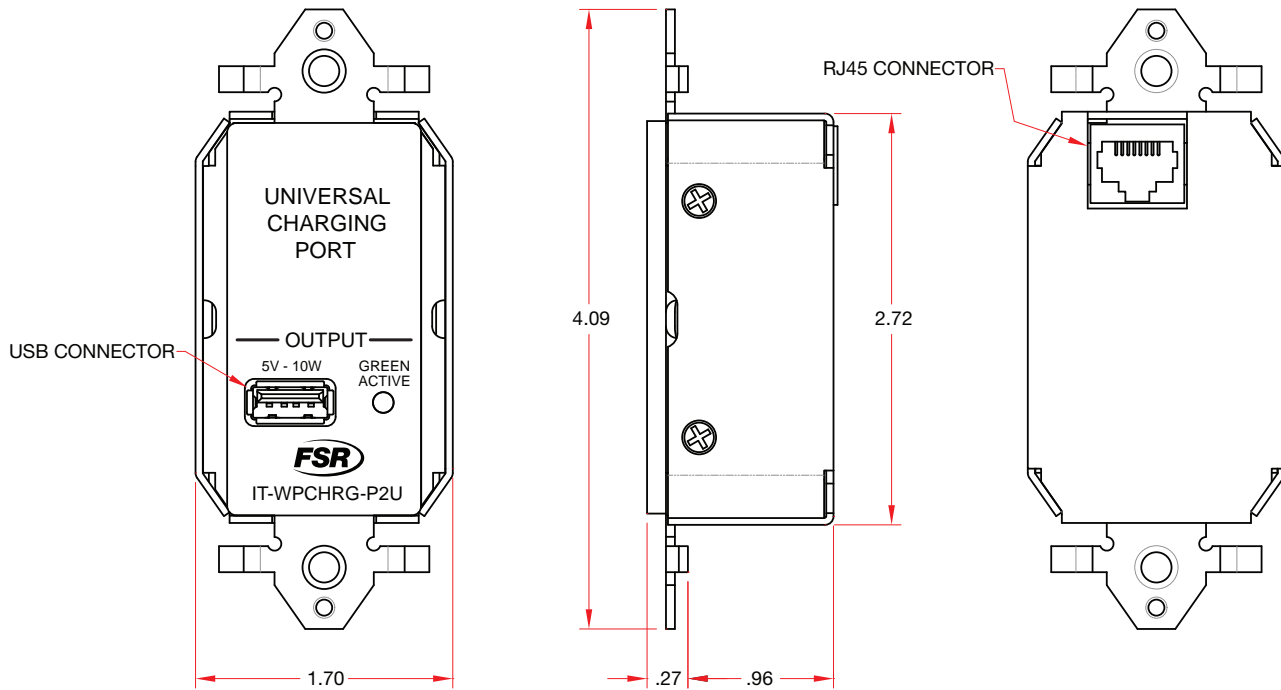
244 Bergen Boulevard, Woodland Park, NJ 07424

Phone: 973.785.4347 · Fax: 973.785.4207

Order Desk: 1-800-332-FSR1

Web: www.fsrinc.com · E-mail: sales@fsrinc.com LIT1407B

# DIMENSIONS



Specifications are subject to change without notice.



244 Bergen Boulevard, Woodland Park, NJ 07424  
 Phone: 973.785.4347 · Fax: 973.785.4207  
 Web: www.fsrinc.com · E-mail: sales@fsrinc.com