

IT-SACWP Wallplate



FSR

AV Products Group

IT-SACWP

DESCRIPTION

The IT-SACWP Wallplate provides convenient, remotely switched AC to power Projectors, displays and other AC powered devices via a low voltage hard wired control input. Intended applications are for remote load switching within one of our floor boxes or PWB wall boxes. The unit is easily mounted in FSR's CB-series, PWB series, WB-X series, Floor Boxes, HuddleVU stations, flex control series, top shelf, etc. allowing remote AC power control of amplifiers, switchers and more.

The single gang, Decora style, 15 amp rated, switched AC outlet wires directly to a 15 amp branch circuit via the input harness at the back of the unit. Connections to the branch circuit are made using the included wire nuts.

The switching technology is relay based for reliable operation and minimal heat dissipation. Control is accomplished via the fixed 2 position screw terminal connector. A green LED is provided for visual indication of the relay state. Two standard models are available to allow control from either 12 or 24VDC systems. See ordering information.

Applications include: Remote power switching for self-powered stage monitors as well as vocalist, musician headphone mixing systems. This allows a power sequencer to turn on AC power to stage speakers. Useful for any type of stage, auditorium, or house of worship scenario.

FEATURES

- 14 AWG solid wire 6" free length, (L, N, G) for AC input
- Wire nuts included
- White wall plate with black AC outlet
- LED relay state indicator
- Screw terminals for quick and easy control input wiring
- Compact 1-gang form factor

SPECIFICATIONS

Device rated current

12 A (switches standard 15 amp circuit subject to a 20% UL derating)

Operate time

15 ms max

ORDERING INFORMATION

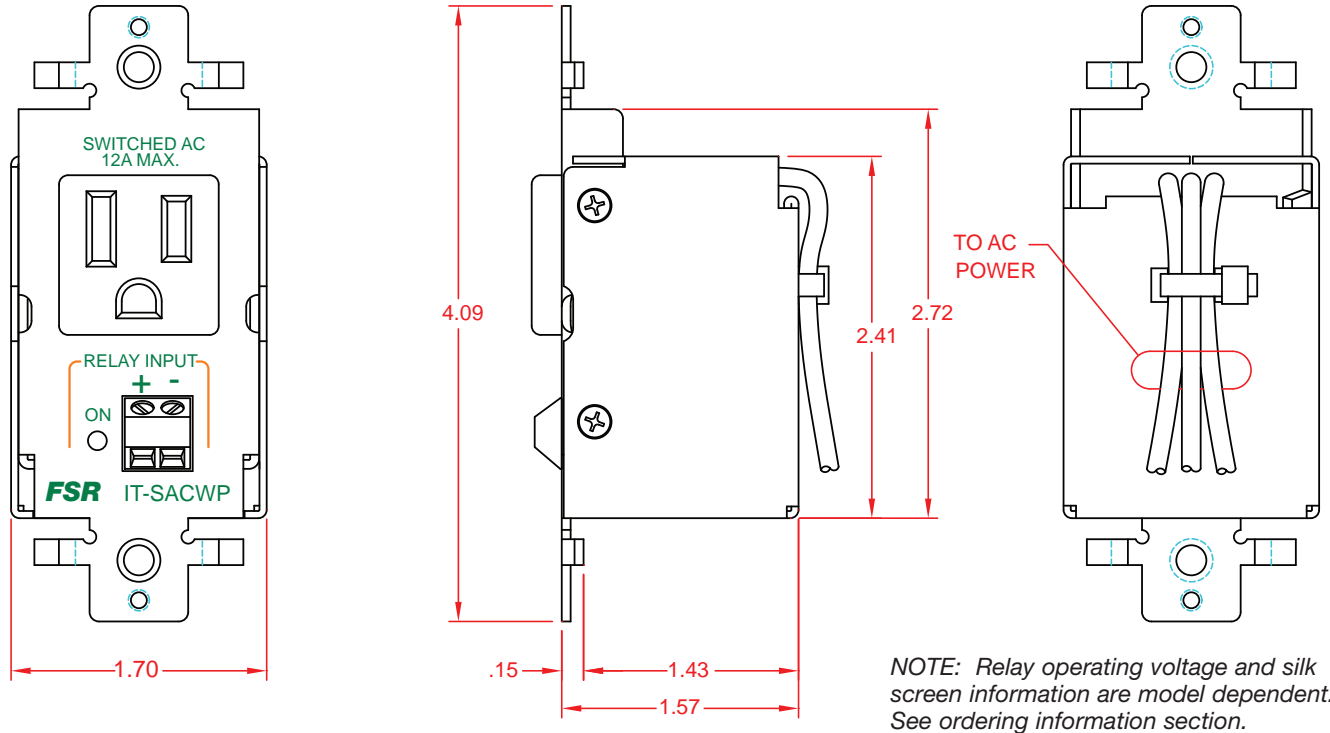
IT-SACWP operates from a 12VDC@ 90mA drive signal.
(The HuddleVU system uses the 12VDC version.)

IT-SACWP-24 operates from a 24VDC@ 50mA drive signal

FSR Inc.

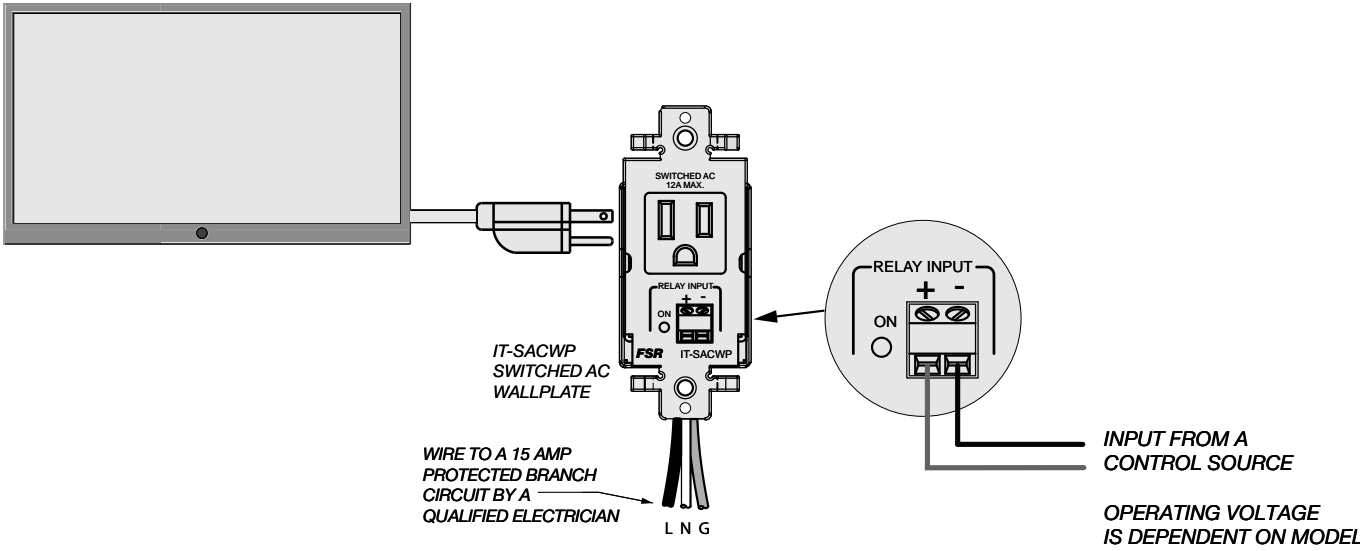
244 Bergen Boulevard, Woodland Park, NJ 07424
Phone: 973.785.4347 · Fax: 973.785.4207
Web: www.fsrinc.com · E-mail: sales@fsrinc.com

DIMENSIONS



TYPICAL APPLICATION

TYPICAL APPLICATION OF POWER TO A VIDEO DISPLAY CONTROLLED BY AN IT-SACWP SWITCHED AC WALLPLATE



Specifications are subject to change without notice.



244 Bergen Boulevard, Woodland Park, NJ 07424
 Phone: 973.785.4347 · Fax: 973.785.4207
 Web: www.fsrinc.com · E-mail: sales@fsrinc.com