

# MM-CLCKAUD

## Table Microphone Box

# FSR

Metal Products Group

MM-CLCKAUD



Microphone not included.

Shown with Clockaudio™ C 003E-RF Microphone

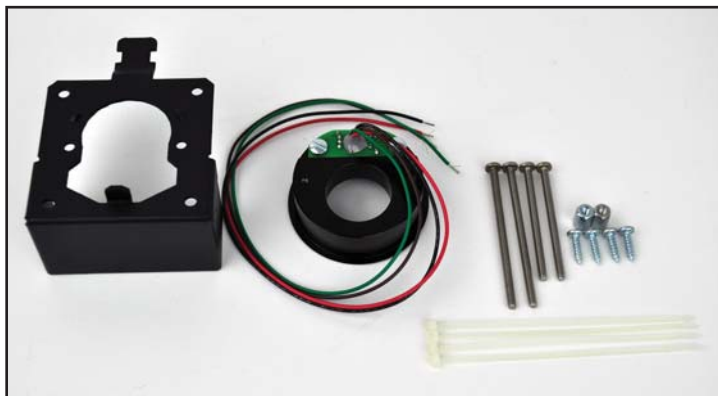
# Touchboards

205 Westwood Ave, Long Branch, NJ 07740  
Phone: 866-94 BOARDS (26273) / (732)-222-1511  
Fax: (732)-222-7088 | E-mail: sales@touchboards.com

### DESCRIPTION

The MM-CLCKAUD-BLK is an elegant, low profile surface mount for most "Thru-table" boundary type microphones. The MM-CLCK includes a bi-color LED and SPST Switch to add status and muting/control functions to the microphone installation.

This attractive mount easily mounts into a 2" diameter hole in 3/4" to 3" thick table surfaces and can be installed in a table, wall, or ceiling panel. The unit is black anodized finished to complement most decors.



Actual parts included

### APPLICATIONS

- Conference Rooms
- Lecterns and Podiums
- Altars
- Courtrooms
- Stages

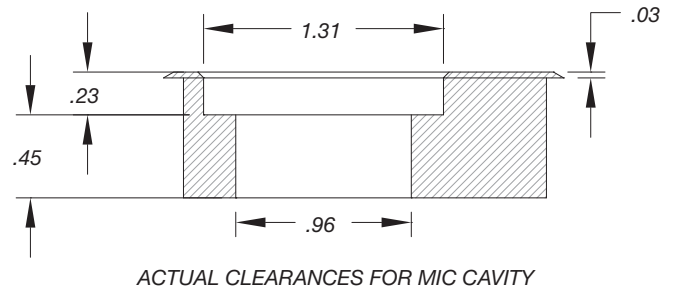
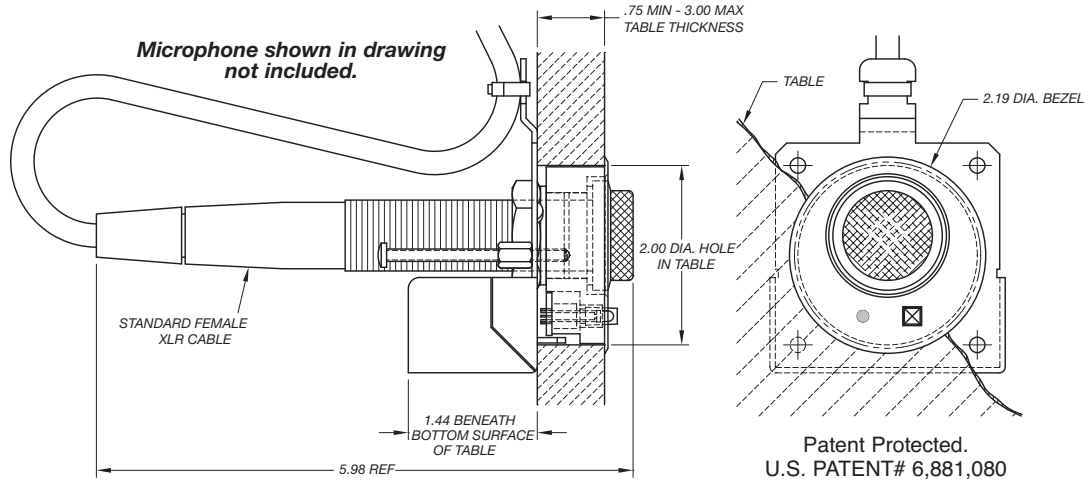
### FEATURES

- Adds Bi-color LED inputs and switch output capability provided on pigtail leads for status and remote control or use with automatic mixers
- Fits most "through the table" boundary microphones
- Unobtrusive, sleek low-profile design
- Durable black anodized finish
- Easy mounting in a variety of surface thicknesses

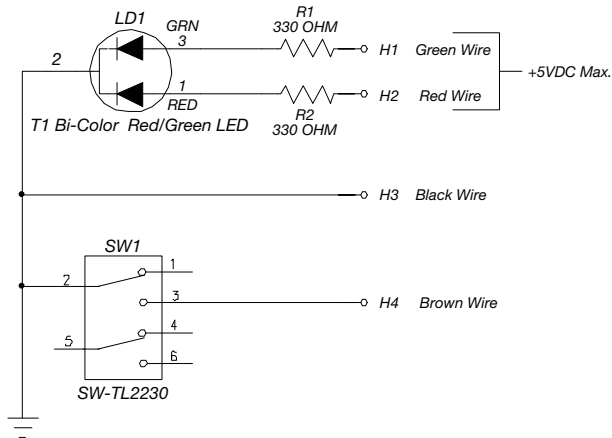
### FSR Inc.

244 Bergen Boulevard, Woodland Park, NJ 07424  
Phone: 973.785.4347 · Fax: 973.785.4207  
Web: www.fsrinc.com · E-mail: sales@fsrinc.com LIT1403

# TYPICAL ASSEMBLY



# WIRING DIAGRAM



### SIMILAR PRODUCTS:

FSR offers a variety of mini table boxes in many different styles and configurations. Please visit our document library or contact sales for individual spec sheets.



T3-PC1SQ



T3-AC2



T3-MJ-1B



T3-MJ-2B



Specifications are subject to change without notice.



244 Bergen Boulevard, Woodland Park, NJ 07424  
Phone: 973.785.4347 · Fax: 973.785.4207  
Web: [www.fsrinc.com](http://www.fsrinc.com) · E-mail: [sales@fsrinc.com](mailto:sales@fsrinc.com)