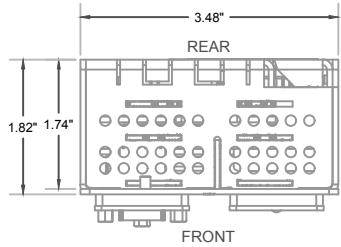
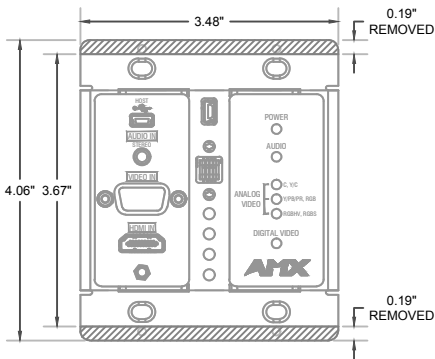


REVISIONS			
REV	DATE	DESCRIPTION	REVISION BY:

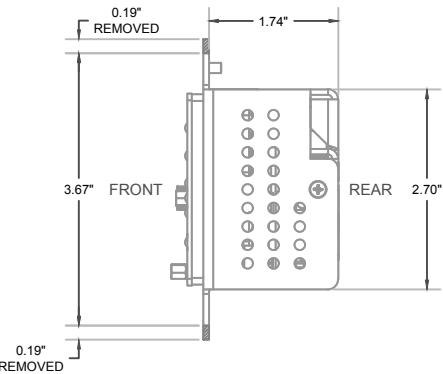
MODIFICATIONS REQUIRED TO
AMX AVB-DWP-TX-MULTI DXLINK
TRANSMITTER WALL PLATE



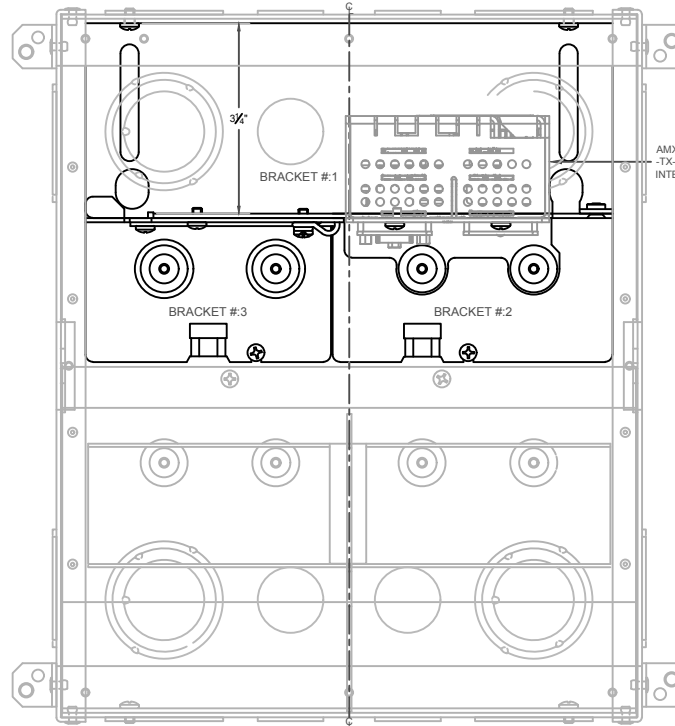
A AMX AVB-DWP-TX-MULTI DXLINK
TOP VIEW



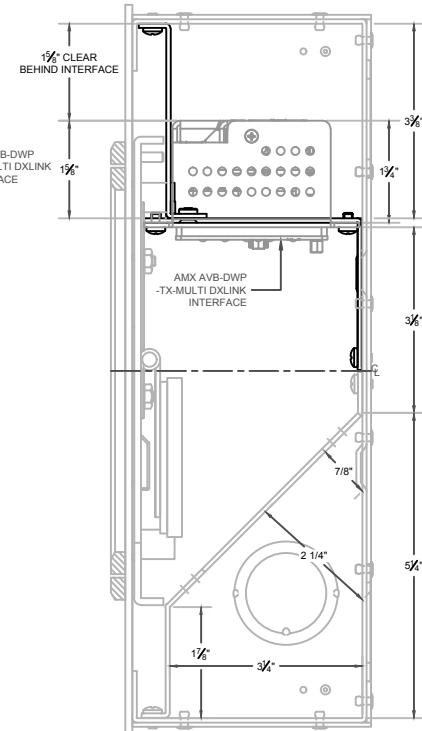
B AMX AVB-DWP-TX-MULTI DXLINK
FRONT VIEW



C AMX AVB-DWP-TX-MULTI DXLINK
SIDE VIEW

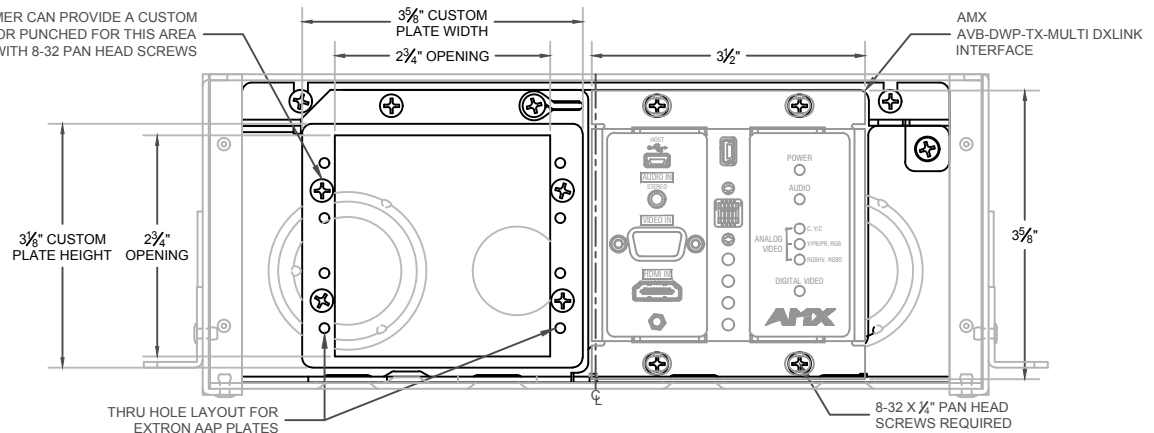


1 FSR FL-500P-4-B 4" DEEP FLOOR BOX
TOP VIEW



3 FSR FL-500P-4-B 4" DEEP FLOOR BOX
SECTION VIEW (SIDE)

CUSTOMER CAN PROVIDE A CUSTOM
PLATE BLANK OR PUNCHED FOR THIS AREA
AND ATTACH WITH 8-32 PAN HEAD SCREWS



2 FSR FL-500P-4-B 4" DEEP FLOOR BOX
SECTION VIEW (FRONT)

FSR P/N: 99509 MMS-FL-500/540P-4
WALLPLATE BRACKET KIT FOR
FL-500P-4-B AND FL-540P-4-B FLOOR BOXES

AFTER AMX UNIT IS MODIFIED BY
REMOVING 0.19" FROM TOP & BOTTOM
OF THE MOUNTING PLATE FLANGE

	800-332-3771 (P) 973-785-4207 (F) www.fsrinc.com	DRAWING TITLE: FSR P/N: 99509 MMS-FL-500/540P-4 WALLPLATE BRACKET KIT FOR FL-500P-4-B AND FL-540P-4-B FLOOR BOXES FOR USE WITH AMX AVB-DWP-TX MULTI DXLINK WALLPLATE INTERFACE	
	FSR Inc. 244 Bergen Blvd. Woodland Park, NJ 07424 USA	DRAWING #: 99509-AMX REVISION #: 0	DATE: 03/21/2014 SCALE: Not To Scale