

Manufacturer Specific Mounting Solutions



FSR's expanded solutions for making Floor & Wall Boxes "Crestron Ready".

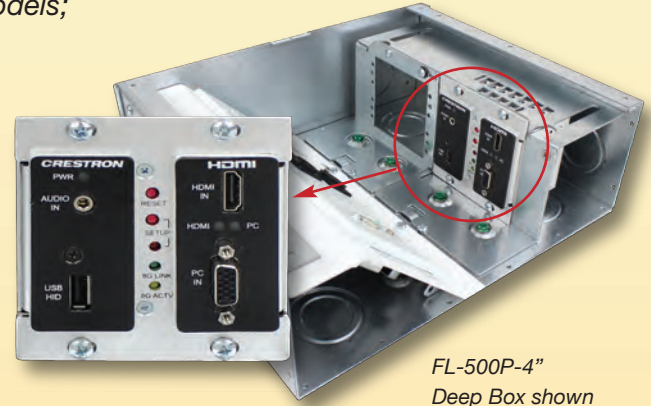
FL-500P / 600P Series Floor Box Options

There are two new mounting bracket kits available for mounting Crestron DM-TX-200-C-2G Digital Media Transmitter Wall Plates into the following 4" deep Floor Box models;

- FL-200 uses MMS-FL200-4 mounting kit (4" Box only)
- FL-500 and FL-540 4" deep Floor Boxes use the MMS-FL-500/540P-4 mounting kit.*
- FL- 600 and FL-640 4" deep Floor Boxes use the MMS-FL-500/540P-4 mounting kit.*

* Installation requires a minor field modification of the DM-TX-200-C-2G wall plate as shown on the supplied drawing.

No modification or special brackets are required for the 6" or deeper model floor boxes.

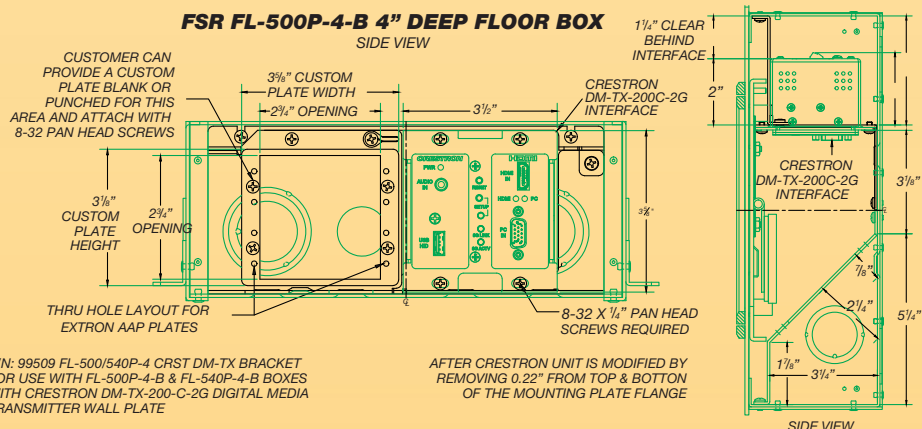
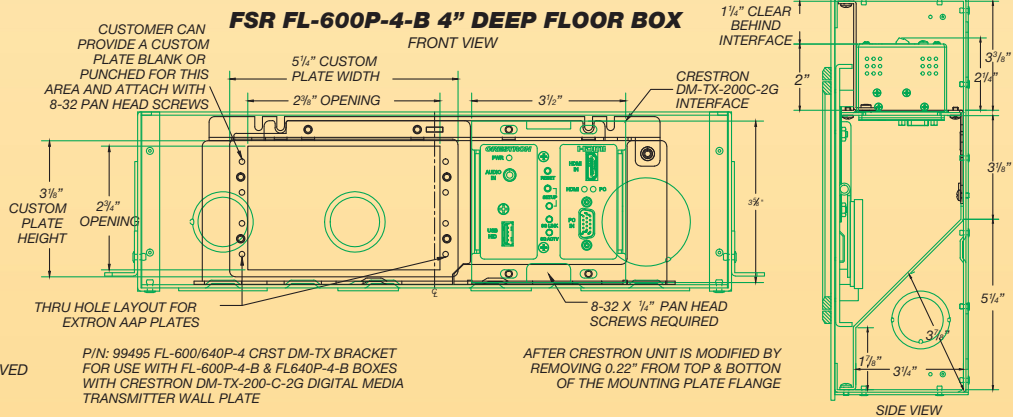
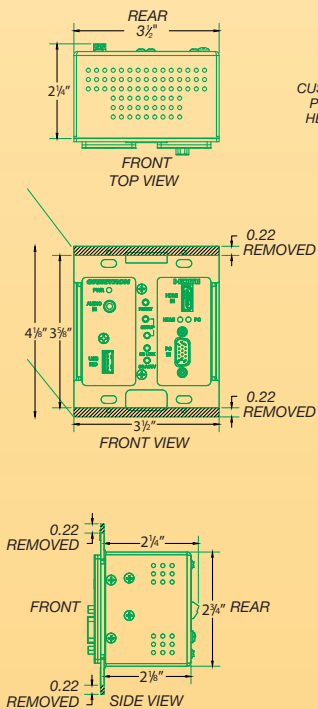


FL-500P-4"
Deep Box shown

The mounting kits above (99509 or 99495) include brackets that replace existing brackets on one side of the floor box. Depending on the floor box model, this new configuration will still leave the existing bracket with a 4-gang or 5-gang opening on the opposite side for other AV, Data, or AC power connections. The replacement brackets stand vertically instead of on an angle like the original brackets in the floor box.

The right side of the replacement bracket mounts the modified** Crestron DM-TX-200-C-2G, and the left side of the bracket is pre-drilled for Extron AAP Plates. Alternatively, a custom plate (client supplied) can be used to mount other style connectors. This plate should be made to match the specifications we list on our drawings.

MODIFICATIONS REQUIRED TO CRESTRON DM-TX-200-C-2G DIGITAL MEDIA TRANSMITTER WALL PLATE

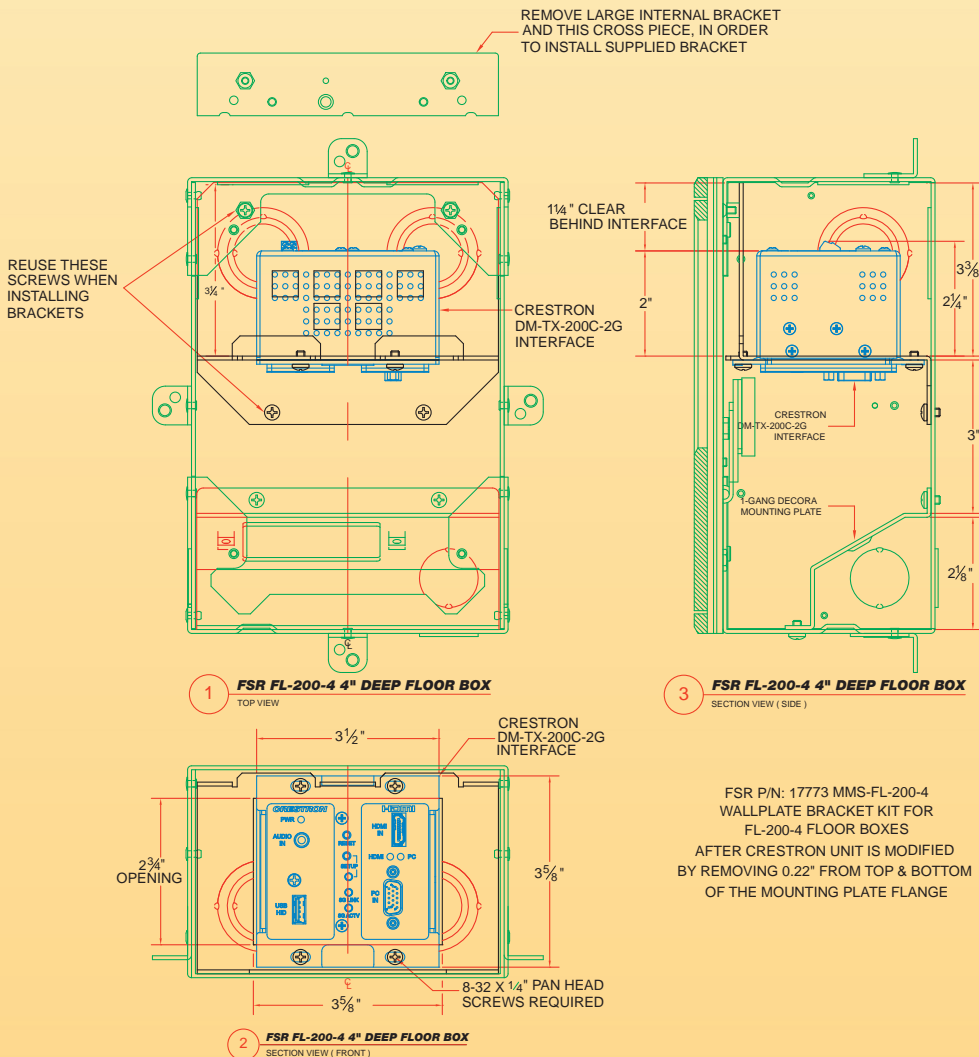
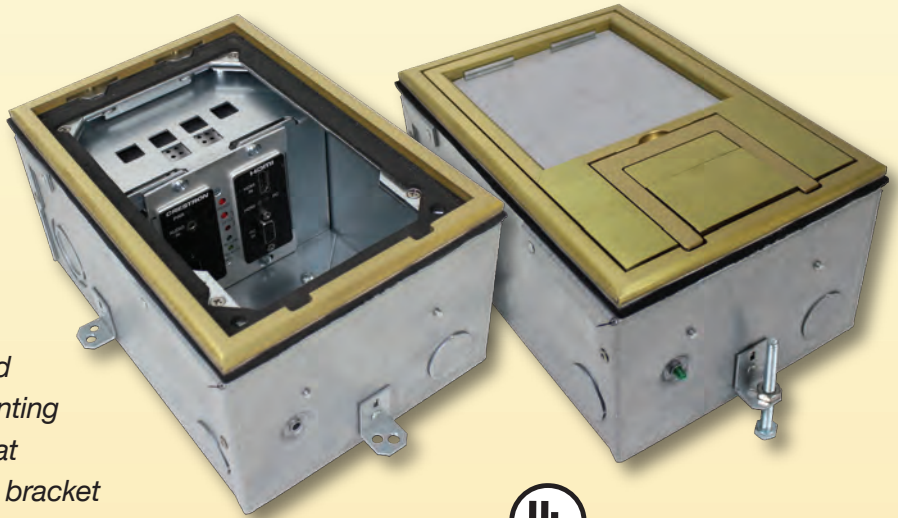


FL-200 Floor Box

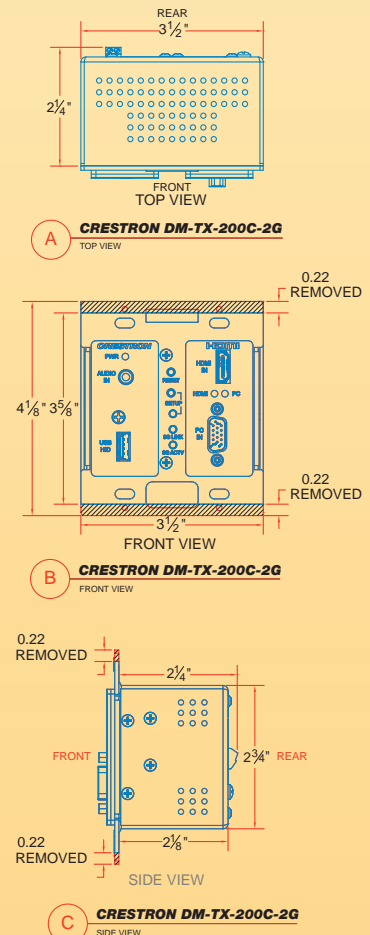
The new FL-200 pour-in-place floor box series is designed to provide a smaller box option.

The 4" back box has a single Decora opening for data or power connections on one side. The optional bracket, ordered separately, has a 2 gang opening for mounting a modified Crestron DM-TX-200-C-2G that requires more room behind the plate. The bracket replaces the existing brackets on one side of the box. The replacement bracket stands vertically instead of at an angle like the original box bracket.

The FL-200 Series covers are designed to match those on the FL-500P and FL-600P Series floor boxes. This provides visual continuity in installations where FL-200's are installed along with FL-500P's and FL-600P's. The covers meet UL scrub water requirements for tile and carpet installations and feature easy tool free access as well as a fold down cable exit door which allows the cover to be closed with cables exiting the box.

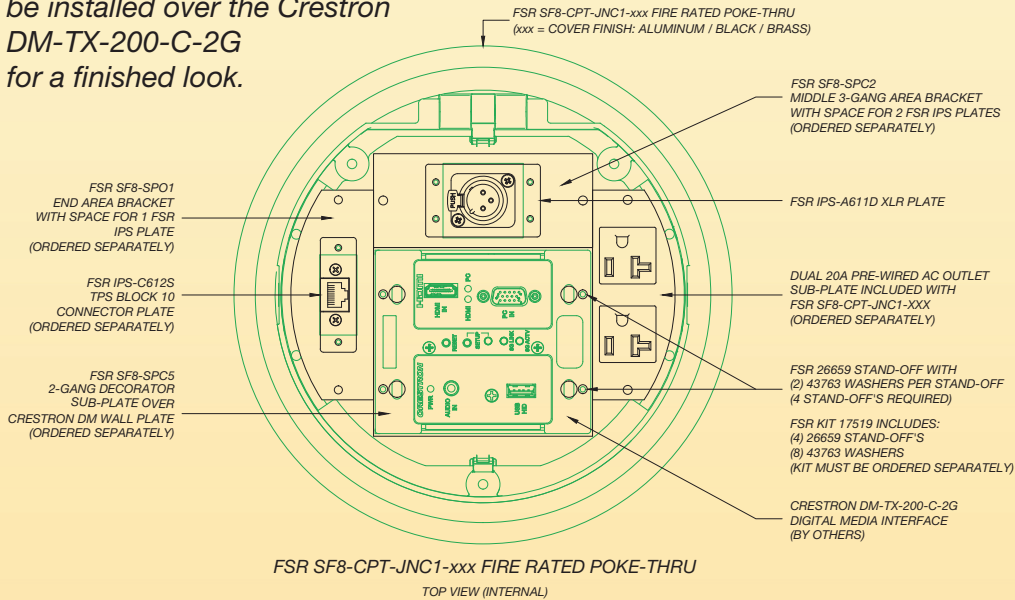


MODIFICATIONS REQUIRED TO CRESTRON DM-TX-200-C-2G DIGITAL MEDIA TRANSMITTER WALL PLATE



SmartFit Poke-Thru Options

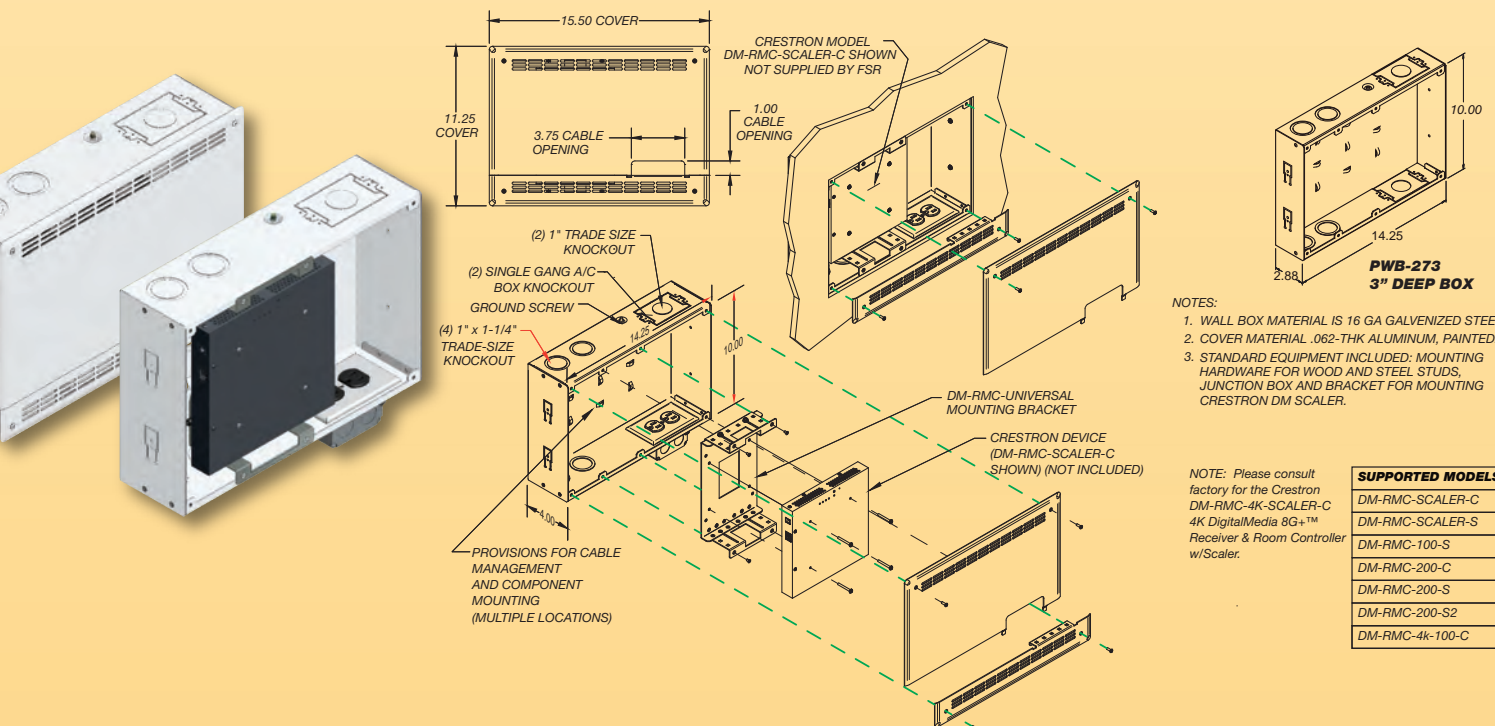
The Crestron DM-TX-200-C-2G Digital Media Transmitter Wall Plate can also fit into the 8" SmartFit poke-thru without any modification by simply using the MMS-SF8 Wall Plate kit. The kit includes (4) 26659 standoffs and (8) 43763 washers to raise the plate in order to clear the depth of the Crestron DM-TX-200-C-2G. The SmartFit SF8-SPC5-trim plate can be installed over the Crestron DM-TX-200-C-2G for a finished look.



**Contact FSR
for other
manufacturer specific
mounting solutions.**

PWB Wall Box Options

The PWB-270 / 273 wall boxes are specifically designed to quickly and easily house a Crestron DM RMC-SCALER-C Receiver and power supply (provided by Crestron) behind a wall mounted display. The scaler and power supply are mounted to a removable bracket which is in turn mounted to the back box.

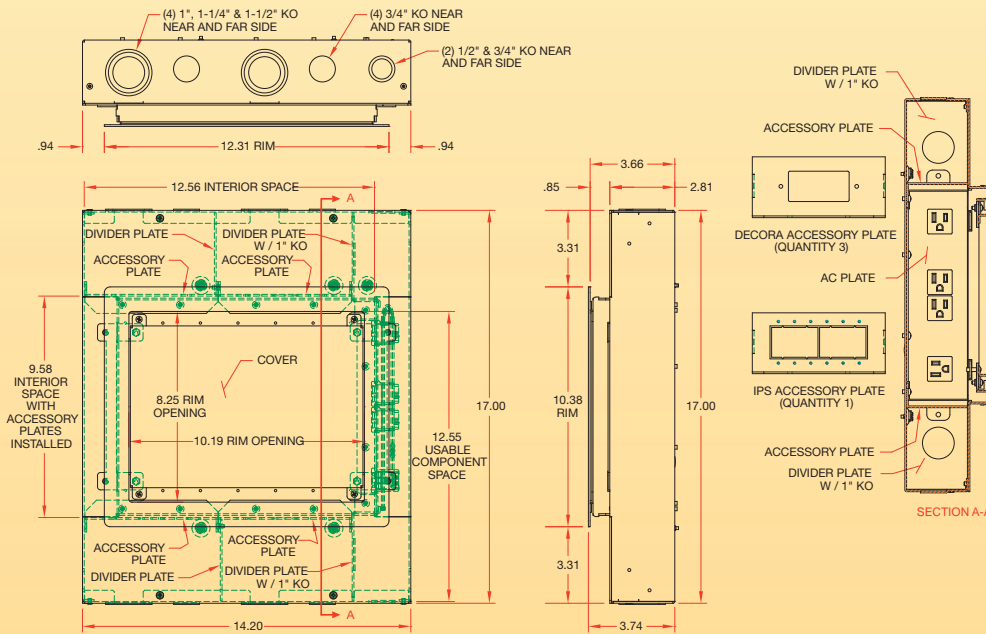
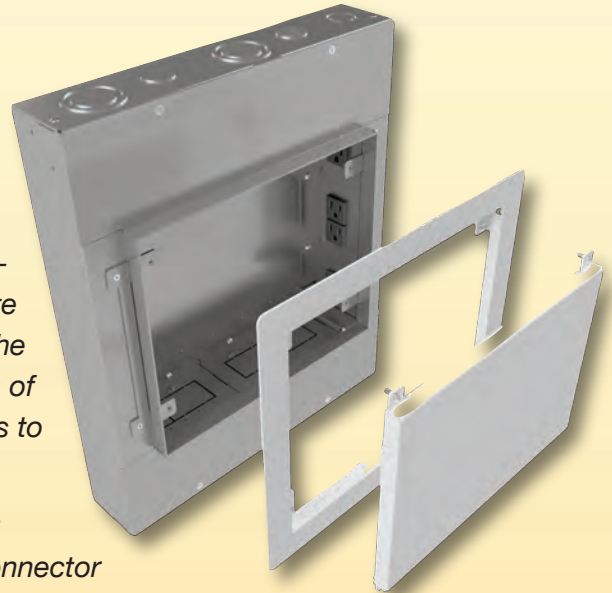


PWB-450 Large Project Wall Box

The standard PWB-450 is the largest of our PWB Series Wall Boxes. Two mounting brackets are available for mounting the Crestron DM-RMC-4K-SCALER-C receiver/room controller or other digital media interfaces and devices.

Inside the PWB-450 are four (4) pre-wired AC outlets along one vertical side of the box which are isolated from the four (4) accessory plate mounting brackets to allow AC and low-voltage connections within the same box. There is a 1/2" - 3/4" concentric KO on the top and bottom of the box for the AC conduit connections. 1" KO's in the divider plates to allow the use of one or more accessory plates for AC connections.

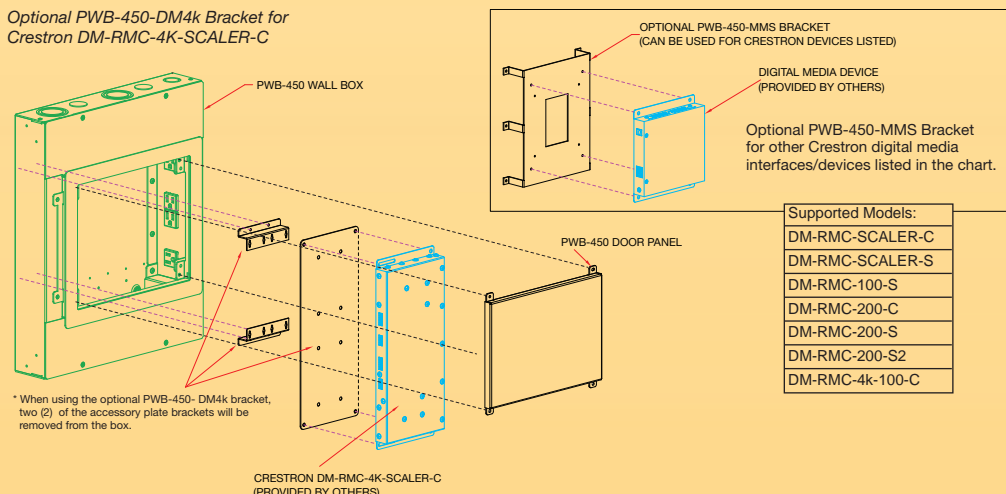
Three of the accessory plate brackets are punched for a single gang Decora opening while the fourth bracket is punched for FSR's IPS Connector Plates. Behind each bracket is a 3/4" and a 1"-1 1/2" concentric KO providing ample wiring flexibility and easy installation. Any or all of the accessory plate mounting brackets can be removed to provide space to mount larger devices. When using the optional PWB-450-DM4k bracket for the Crestron DM-RMC-4K-SCALER-C two (2) of the accessory plate brackets will be removed from the box.



Features

- Rugged 14 Gauge Steel
- Black or White cover options
- 4 pre-wired AC outlets (1 rotated)
- Simple installation
- Removable Internal Brackets to accommodate larger devices
- Mounting Hardware Included
- Optional PWB-450-DM4k Bracket accommodates Crestron DM-RMC-4K-SCALER-C
- Optional PWB-450-MMS Bracket accommodates other digital media interfaces/devices

Optional PWB-450-DM4k Bracket for Crestron DM-RMC-4K-SCALER-C



Supported Models:
DM-RMC-SCALER-C
DM-RMC-SCALER-S
DM-RMC-100-S
DM-RMC-200-C
DM-RMC-200-S
DM-RMC-200-S2
DM-RMC-4k-100-C

Applications

- Digital Signage
- Huddle Areas
- Hospitals
- Conference Centers
- Schools
- Airports
- Command Centers
- Electronic Billboards
- Museums
- Arenas

* When using the optional PWB-450-DM4k bracket, two (2) of the accessory plate brackets will be removed from the box.

Infrastructure...from the ground up

Fire-Resistant Boxes



Our Fire-Resistant floor solutions expand the versatility of our floor box line by providing enhanced, fire-resistant versions of our existing products. Our FRK kits are UL listed and comply with UL 263 Fire Resistance Ratings.

Ceiling Boxes & Wall Enclosures

Now you can remove the unsightly equipment boxes hanging off projector poles and mount them in this architecturally-designed ceiling enclosure. Many styles, various price ranges, and "Smart and Green" modules make these boxes perfect for classrooms, boardrooms, meeting rooms and public spaces. These are your equipment racks for ceilings and walls.

CB-12



CB-224



TOP SHELF

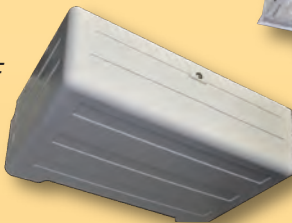


Table & Wall Boxes

TABLES - A wide variety of table boxes that are unique and upscale, meeting the aesthetic demands of today's consultants, architects and clients. Brass, black, bronze and nickel finishes, a variety of sizes, shapes, and accessories are available from stock.



Patent No. US 6,881,080 B2



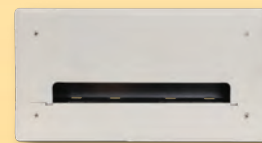
Patent Number US D553,306 S

WALLS - Connections on the wall become safe, simple and secure using an FSR wallbox.

PWB-353
Project Wall Box



PWB-100
Project Wall Box



PWB-320/323
Project Wall Boxes



PWB-253
Project Wall Box



244 Bergen Boulevard · Woodland Park, NJ 07424
800.332.FSR1 · 973.785.4347 · F: 973.785.3318
W: fsrinc.com · E: sales@fsrinc.com
© 2020 FSR, Inc. All Rights Reserved



LIT1465C