

OWB-CP1

Outdoor Wall Box

FSR

Metal Products Group

OWB-CP1



WEATHER BOX™

The world's only outdoor wall boxes designed for AV and IT connections!

DESCRIPTION

The OWB-CP1 outdoor wall box is designed to mount a variety of control panels including hard switches, elastomeric pads, touch screens, and infrared pickups. The square shape allows mounting in any orientation so the door can swing left, right or up.

The enclosure is available in white with two different door styles; with or without a window. The standard enclosure comes ready to surface mount. Optional mounting kits allow for either flush, or pole/pipe mounting. The OWB-CP1 is constructed from aluminum with stainless steel hardware throughout. This NEMA-4 style enclosure will provide protection against dirt, rain, sleet and snow.

The back box includes mounting brackets for mounting both 2 and 3 gang electrical plates. Optional internal plates accept popular control panels from Crestron and AMX. A blank plate is offered for custom fabrication by the user or by a third party custom panel house. All plates are square and can be mounted horizontally or vertically depending on the application.

These units are made in the USA, and are manufactured in a lead-free process for a "Green" environment.

FEATURES

- Safe secure control panel mounting
- Suitable for NEMA 4 outdoor use
- Low profile cover
- Locking cover door with key
- Surface or flush mounting kits available
- Large selection of models
- Blank plates for custom mounting

APPLICATIONS

- Tiki Bars
- Hotels
- Conference Centers
- Airports
- Arenas
- Open Cabanas
- Pool Decks
- Residential
- Theme parks

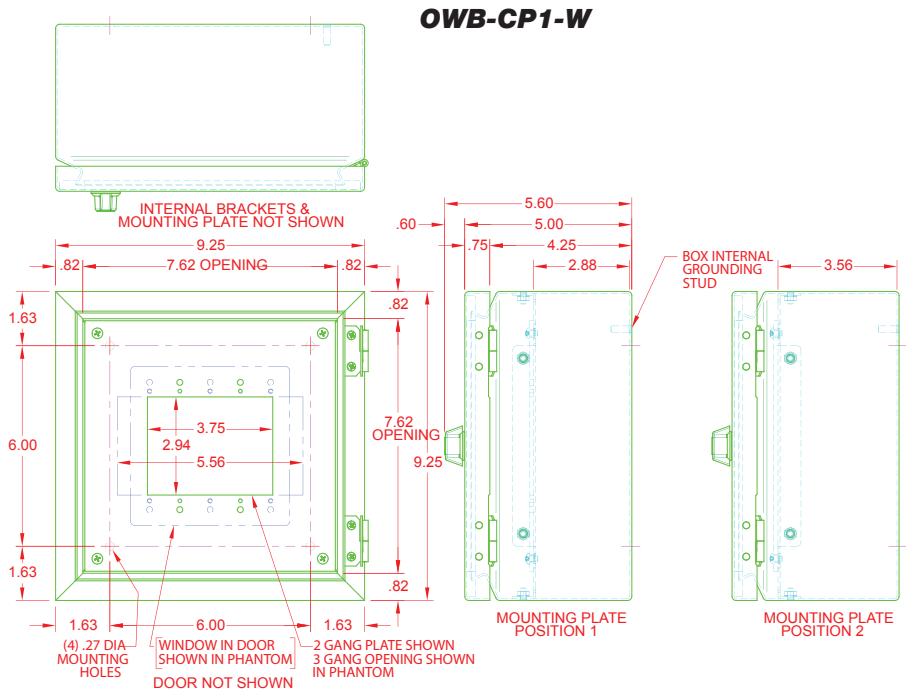
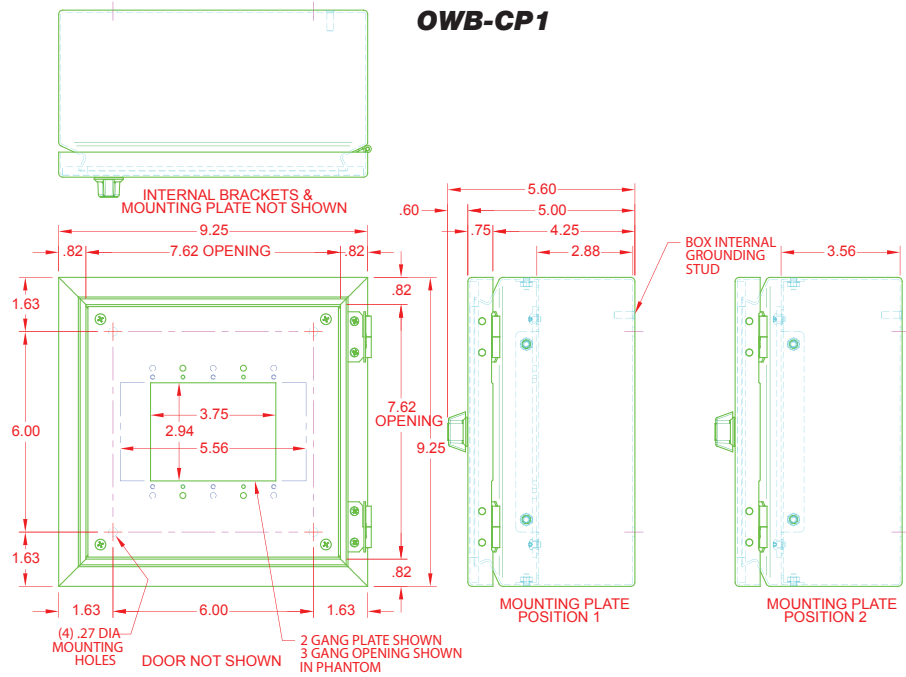
FSR

244 Bergen Boulevard, Woodland Park, NJ 07424
Phone: 973.785.4347 · Fax: 973.785.4207
Web: www.fsrinc.com · E-mail: sales@fsrinc.com

LIT1271

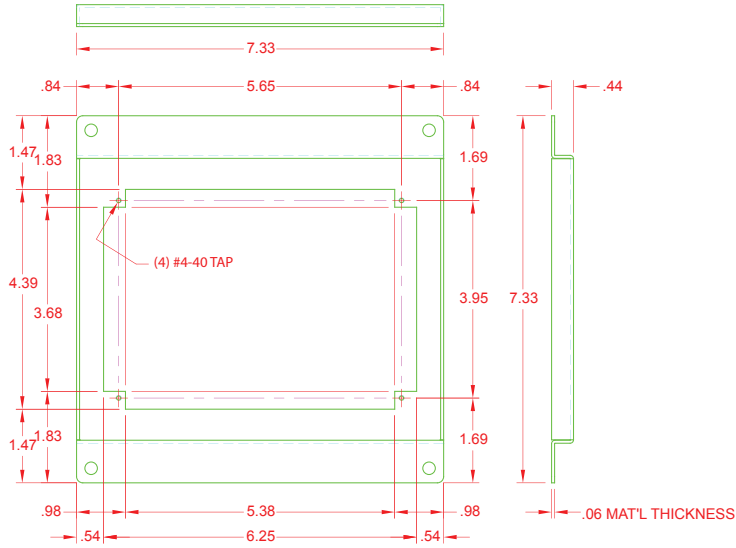
OWB-CP1 WALL BOX/COVER DIMENSION

OWB-CP1

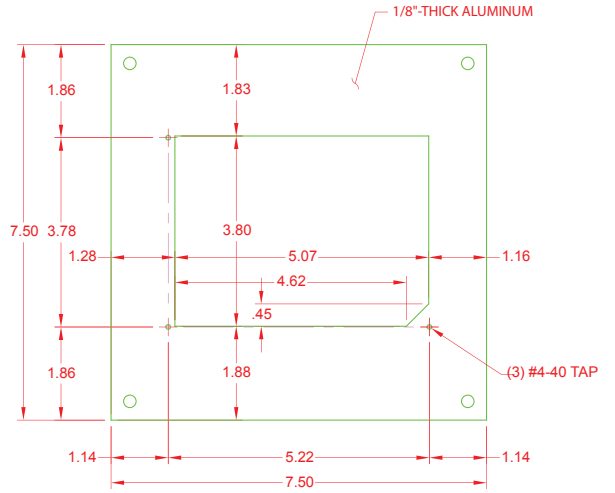


OPTIONAL INTERNAL PLATE DIMENSIONS

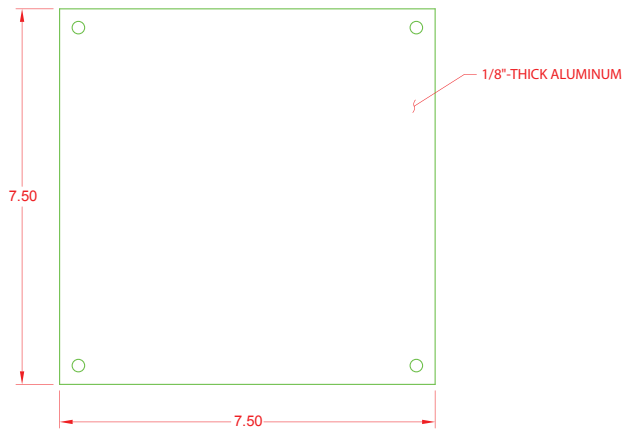
OWB-CP1-TPS2000



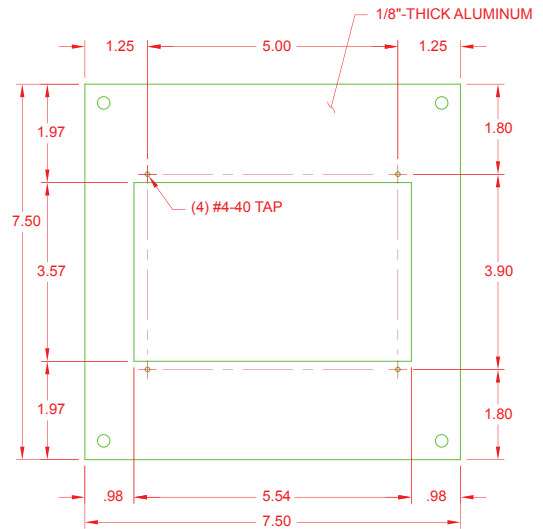
OWB-CP1-NXD5



OWB-CP1-BPLT

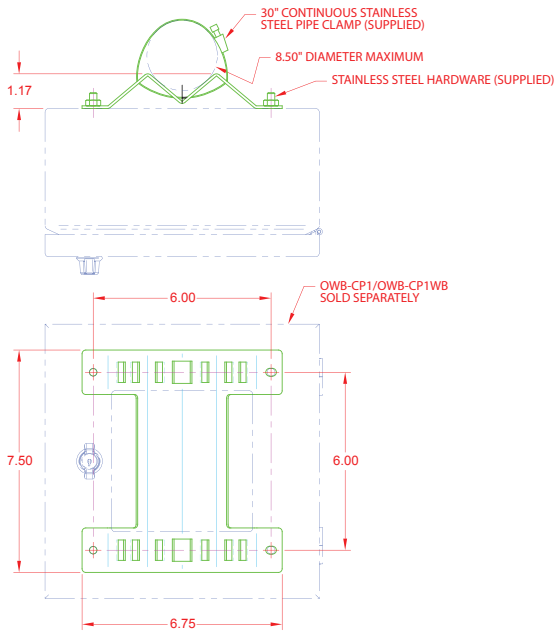


OWB-CP1-TPS4L

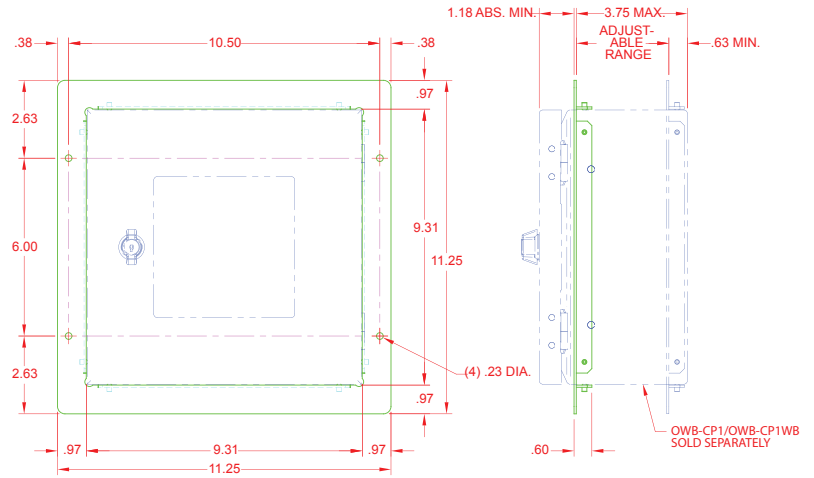


OWB-CP1 MOUNTING KIT DIMENSIONS

OWB-CP1-PMB



OWB-CP1-FMB



ORDERING INFORMATION

Outdoor Control / Interface Box

Item #	Part #	Description
16983	OWB-CP1-WHT	Outdoor Wall Box & Cover w/ 2 & 3 Gang Mounting Plate - White
16984	OWB-CP1-W-WHT	Wall Box & Cover w/ 2 & 3 Gang Mounting Plate - Window - White

Mounting Kits for OWB-CP1

16985	OWB-CP1-FMB-WHT	Flush Mount Bracket for OWB-CP1 - White
16986	OWB-CP1-PMB - WHT	Pole Mount Kit for OWB-CP1 - White

Optional Internal Plates for OWB-CP1

16987	OWB-CP1-TPS4L	Internal Plate for OWB-CP1 to mount a Crestron TPS4L Touch Panel
16988	OWB-CP1-TPS2000	Internal Plate for OWB-CP1 to mount a Crestron TPS2000 Touch Panel
16989	OWB-CP1-NXD5	Internal Plate for OWB-CP1 to mount an AMX NXD 5" Touch Panel
16990	OWB-CP1-BPLT	Internal Plate for OWB-CP1 - Blank for Customer Modification

Discuss your custom requirements with an FSR representative.

Specifications are subject to change without notice.



244 Bergen Boulevard, Woodland Park, NJ 07424
Phone: 973.785.4347 · Fax: 973.785.4207
Web: www.fsrinc.com · E-mail: sales@fsrinc.com