

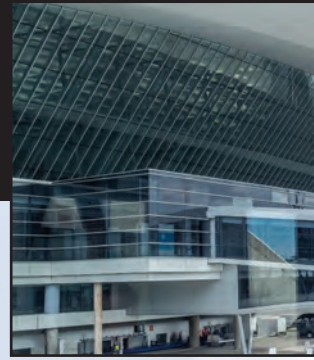


  
**WEATHER BOX™**

## ***Outdoor Wall Boxes***

***The World's Only Outdoor Wall Boxes  
Designed for AV & IT Connections***





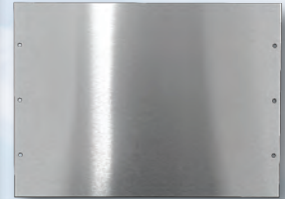
## Improving The Quality Of Life: at Work, at School, at Home, and at Play.

OWB Outdoor Wall Boxes are the latest addition to FSR's metal products line. Locking doors in white are standard with other color and style options available upon request,

including windows. Custom interiors are available on all boxes to meet your applications.

### OWB-X3-IPS/XLR

### OWB-X3-PLT



OWB-X3-IPS

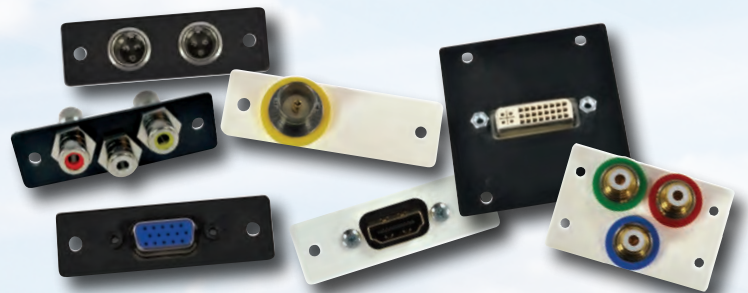
OWB-X3-XLR

The OWB-X3-IPS and -XLR style back boxes have tapped holes on the connector mounting plates for easy connector mounting and are painted black. The enclosure is constructed in NEMA-4 Style and the integral door will meet the NEMA-3 and 3R ratings, providing protection against falling dirt, rain, sleet and snow. The stylish cover has a flip-up cable entry door so that the main cover door can be locked once the cables are connected.

The OWB-X3-PLT style has a blank mounting plate to be punched or drilled by the user per their requirements. The depth of the plate is field adjustable. The enclosure is constructed in NEMA-4 Style and the integral door will meet the NEMA-3 and 3R ratings, providing protection against falling dirt, rain, sleet and snow. The stylish cover has a flip-up cable entry door so that the main cover door can be locked once the cables are connected.

### ADD IPS (Intelligent Plate Solutions) PLATES

Add IPS to your installation! We now offer "labeled IPS plates" at no additional cost. Custom labeling and logos can also be added for a small charge. The IPS Planner on our web site will help you design your plates simply and efficiently.







Theme Parks, Pool Decks, Arenas, Schools, Airports, Residential, Churches and so much more!

## OWB-CP1 and the NEW OWB-500P Outdoor Wall Boxes

*Designed to mount a variety of control panels including hard switches, elastomeric pads, touch screens, IPS plates and infrared pickups. The square shape allows mounting in any orientation so the door can swing left, right or up.*

*All enclosures have safe, secure, control panel mounting, low profile cover, Locking cover door with key, Large selection of models, Blank plates for custom mounting, Surface or Flush mounting kits available, Suitable for NEMA-4 Outdoor use.*

### OWB-CP1-WHT



*This enclosure is available in white with a solid locking cover and ready for surface mounting. Optional mounting kits allow for either flush or pole/pipe mounting. The OWB-CP1 is constructed from aluminum with stainless steel hardware throughout. This NEMA-4 style enclosure will provide protection against dirt, rain, sleet and snow. The back box includes mounting brackets for mounting both 2 and 3 gang electrical plates. Optional internal plates accept popular control panels from Crestron and AMX.*

### OWB-CP1-W-WHT



*This enclosure is available in white with a locking cover that has a window. Optional mounting kits allow for either flush or pole/pipe mounting. The OWBCP1-W-WHT is constructed from aluminum with stainless steel hardware throughout. This NEMA-4 style enclosure will provide protection against dirt, rain, sleet and snow. The back box includes mounting brackets for mounting both 2 and 3 gang electrical plates. Optional internal plates accept popular control panels from Crestron and AMX.*

### OWB-500P



*The OWB-500P Outdoor Wall Boxes are the latest in our series. Locking doors are standard with color and style options available. Stylish covers have "flip up" cable entry doors so the main door can be locked once the cables are connected. The 8" deep OWB-500P includes arrange-able internal brackets that provide many options for both high and low voltage. Standard gang openings make it flexible and easy to use. The enclosures are constructed in NEMA-4 style and the integral door meets the NEMA-3 and 3R ratings for protection against dirt, rain, sleet and snow. OWB-500P is available in flush mount or surface mount models.*



**Look for this symbol to see which Outdoor Wall Boxes are sold with a FREE LITE-it.**

THE LITE WITH A BRAIN





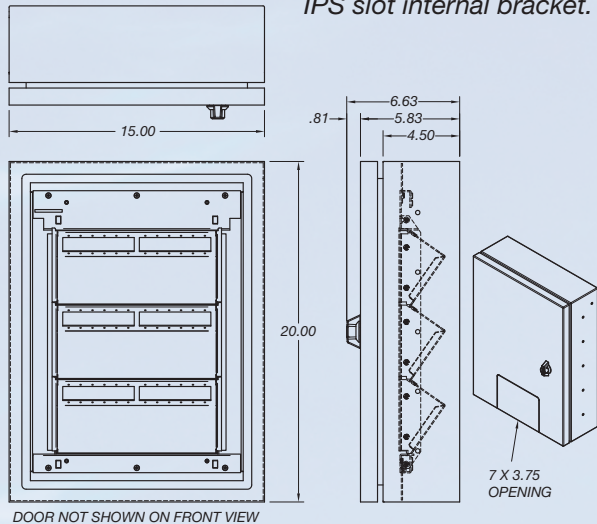
## Outdoor Wall Solutions for TV Broadcast and Media

We understand the importance of keeping equipment safe and secure, whether in or outside your building. No matter the weather FSR Outdoor Wall Boxes will provide peace of mind and ease of access to your enclosed connections.

We also specialize in custom solutions for TV Broadcast, Audio/Visual and all your specific needs. No project is ever too small or too big. Give our factory a call to see why "Created To Amaze" isn't just a tagline.

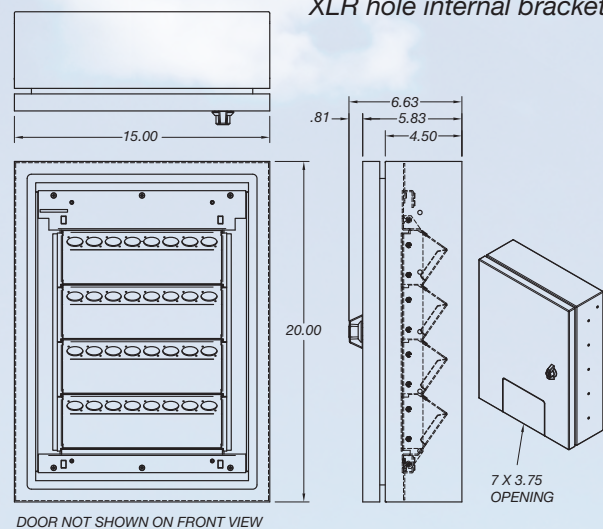
### OWB-X3-IPS

The OWB-X3-IPS wall box is available in surface and flush mount options. Included with this wall box option is a (36) IPS slot internal bracket.



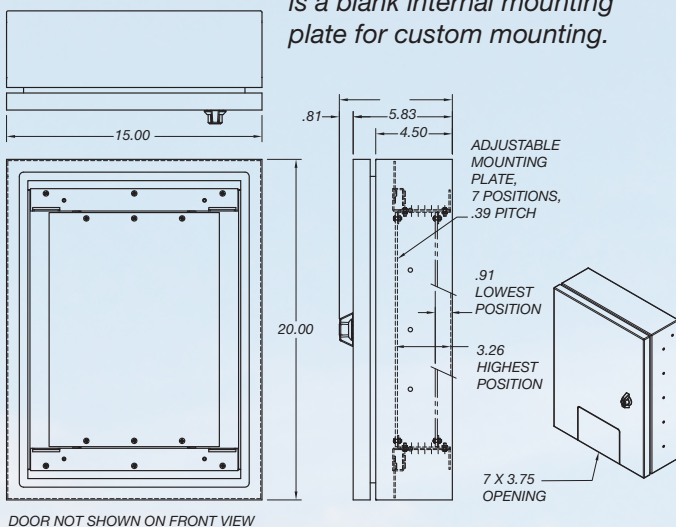
### OWB-X3-XLR

The OWB-X3-XLR wall box is available in surface and flush mount options. Included with this wall box option is a (32) XLR hole internal bracket.



### OWB-X3-PLT

The OWB-X3-PLT wall box is available in surface and flush mount options. Included with this wall box option is a blank internal mounting plate for custom mounting.



 **A FREE LITE-it is provided with these units.**



244 Bergen Boulevard · Woodland Park, NJ 07424  
 800.332.FSR1 · 973.785.4347 · F: 973.785.3318  
 W: fsrinc.com · E: sales@fsrinc.com LIT1608A  
 © 2020 FSR, Inc. All Rights Reserved.