



# IN-CARPET WIREWAY

## PRICELIST

AUGUST 1st, 2017

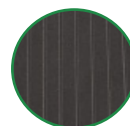


### ARCHITECTURAL SOLUTIONS FOR OPEN SPACE POWER AND CONNECTIVITY

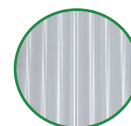
Trac In-Carpet Wireways offer discrete and elegant power and technology connectivity in open interior spaces of all kinds. They combine an extruded aluminum central wireway flanked by ultra-low sloping floor transition ramps, creating a subtle, powerful and beautiful cable pathway solution for virtually any need. Extremely durable and flexible, Trac In-Carpet Wireways comply with the ADA and offer a multitude of power options and telecom capabilities. Trac is the best alternative for open space connectivity when aesthetics, flexibility and value are important.

### IN-CARPET WIREWAY FEATURES

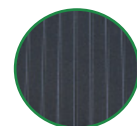
- Low-profile, durable extruded aluminum wireway
- Moisture-resistant MDF floor transition ramps
- Provides a cable pathway with no core drilling or trenching
- Multitude of power and telecom/AV options
- Pre-wired power components speed installation
- Removable wireway top cap makes changing cables simple
- ADA compliant
- Multiple finishes available



ES

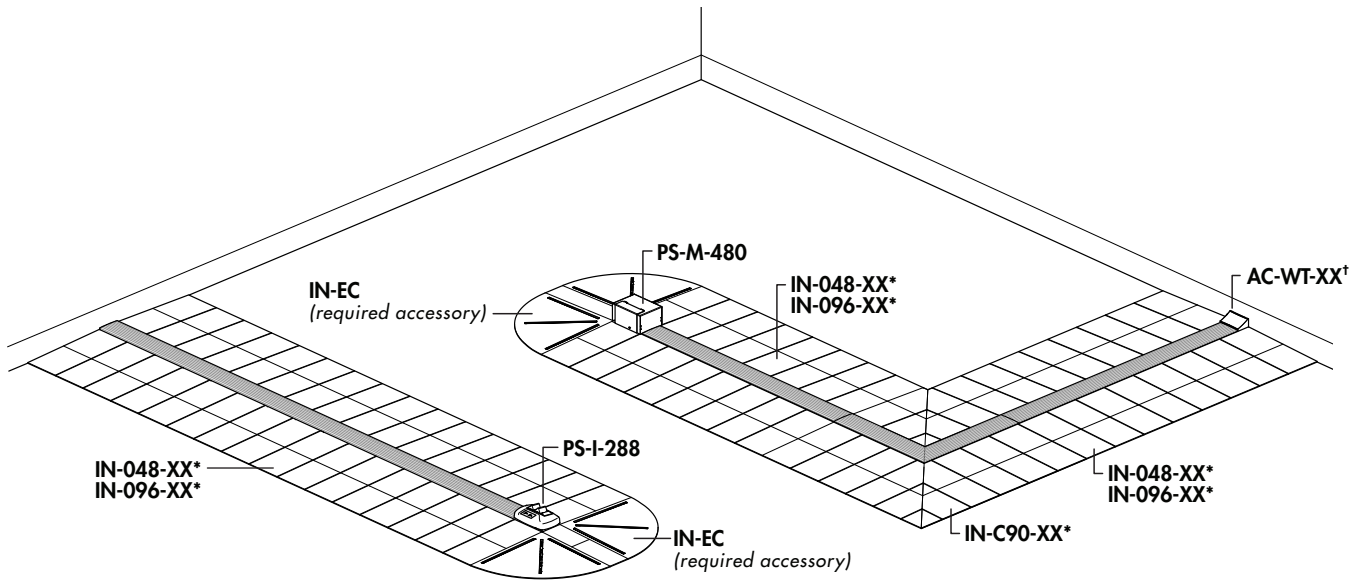


AL



GR

# IN-CARPET WIREWAY COMPONENTS



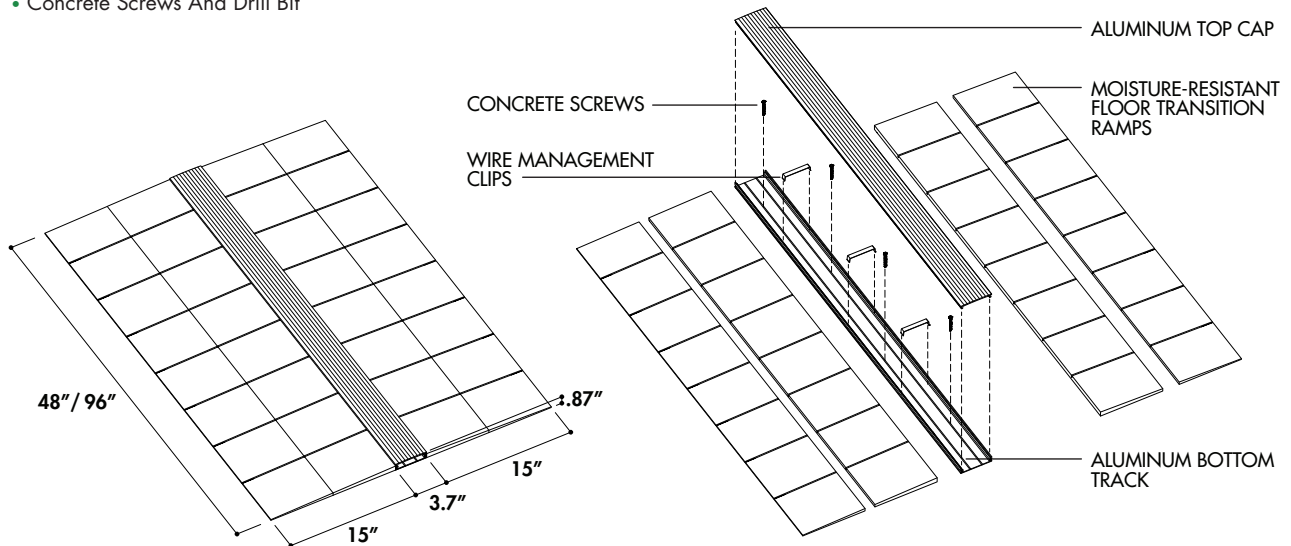
## BASE SYSTEM COMPONENTS

### WIREWAY SEGMENTS AVAILABLE IN:

- 48" and 96" lengths - field-cut to required length and combined as necessary
- Top cap available in 3 finishes: Clear Anodized Aluminum (AL), Graphite (GR), Espresso (ES)

### EACH SEGMENT INCLUDES:

- Extruded Aluminum Wireway Base Track And Top Cap
- Moisture-Resistant MDF Floor Transition Ramps
- Wire Management Clips
- Concrete Screws And Drill Bit

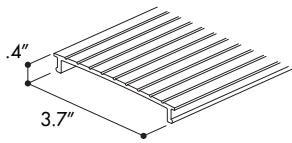


PART NUMBER	DESCRIPTION	LIST
IN-048-XX*	48" Segment: 48" Wireway And Transition Ramps	\$198.48
IN-096-XX*	96" Segment: 96" Wireway And Transition Ramps	\$396.95

\*Top Cap Finishes: Replace "XX" With "AL" (Clear Anodized Aluminum), "GR" (Graphite powder coat), or "ES" (Espresso powder coat)  
 †Accessory Finishes: Replace "XX" With "BK" (Black) or "SV" (Silver)

# WIREWAY COMPONENTS AND ACCESSORIES

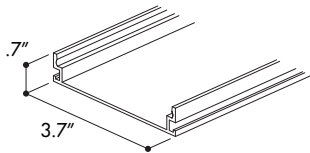
## BASE SYSTEM COMPONENTS:



### WIREWAY BOTTOM TRACK AND TOP CAP

- Bottom track anchors to slab
- Top cap snaps into bottom track
- Extruded aluminum
- Available lengths: 48" / 96"

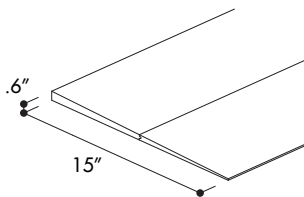
INCLUDED IN EACH WIREWAY SEGMENT



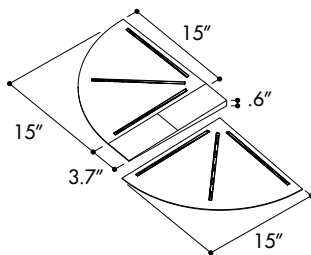
### SIDE TRANSITION RAMPS

- Adheres to slab with construction adhesive
- Moisture-resistant MDF
- Available lengths: 48" / 96"

INCLUDED IN EACH WIREWAY SEGMENT



## REQUIRED ACCESSORY:

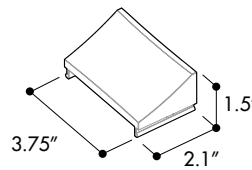


### END TRANSITION RAMPS

- Moisture-resistant MDF and molded ABS plastic

PN: IN-EC | \$26.49

## OPTIONAL ACCESSORIES:

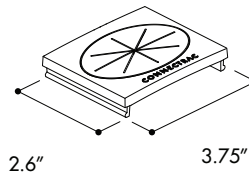


### TRANSITION ADAPTER

- Used to transition cabling at beginning or end of wireway
- Snaps into wireway bottom track

PN: AC-WT-BK (BLACK) | \$20.56

AC-WT-SV (SILVER) | \$20.56

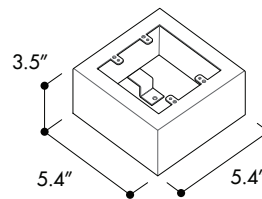


### GROMMET

- Allows cabling to enter / exit wireway
- Snaps into wireway bottom track

PN: AC-GR-BK (BLACK) | \$15.89

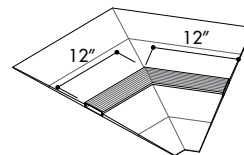
AC-GR-SV (SILVER) | \$15.89



### COMMUNICATION BOX

- Steel low-voltage enclosure
- Accepts any standard double-gang faceplate
- 3" available depth

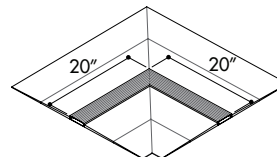
PN: AC-COM | \$84.24



### 45° CORNER KIT\*

- Pre-cut wireway components
- Adds 24" to existing system

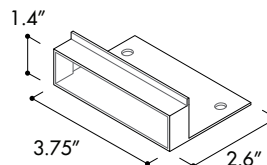
PN: IN-C45-XX\* | \$179.60



### 90° CORNER KIT\*

- Pre-cut wireway components
- Adds 40" to existing system

PN: IN-C90-XX\* | \$179.60



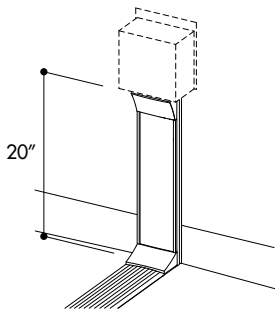
### ROUGH-IN BOX

- Optional component used in new wall construction to transition cabling from wall cavity into wireway

PN: AC-RIB-1 | \$13.12

\*Top Cap Finishes: Replace "XX" With "AL" (Clear Anodized Aluminum), "GR" (Graphite powder coat), or "ES" (Espresso powder coat)

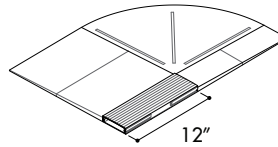
# WIREWAY ACCESSORIES



### 20" WALL CHANNEL

- Vertical wireway, surface-mounts to wall to provide path from FSR+Connectrac system at floor to surface-mounted junction box
- 20" long, can be trimmed to fit
- Includes 4" x 4" x2.125" double-gang steel junction box, with silver powder coat
- Includes (2) AC-WT-SV and (1) AC-GR-BK

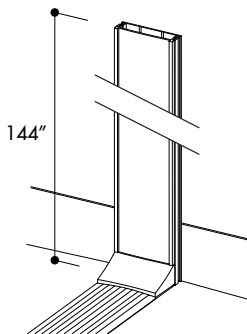
PN: AC-WC-020-AL | \$102.67



### SIDE ENTRY KIT\*

- Allows cabling to enter side of wireway instead of end
- Adds 12" to existing system

PN: IN-SE-1-XX\* | \$101.68



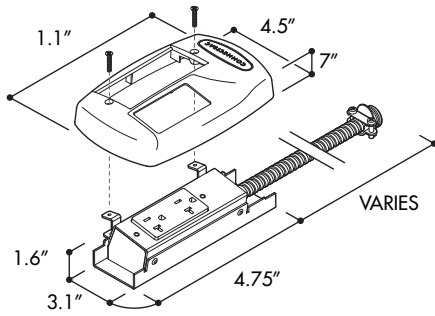
### 144" WALL CHANNEL

- Vertical wireway, surface-mounts to wall to provide path from Trac system at floor to ceiling above
- 12' / 144" Length
- Includes (1) AC-WT-SV accessory

PN: AC-WC-144-AL | \$247.99

\*Top Cap Finishes: Replace "XX" With "AL" (Clear Anodized Aluminum), "GR" (Graphite powder coat), or "ES" (Espresso powder coat)

# SINGLE DEVICE POWER OPTIONS

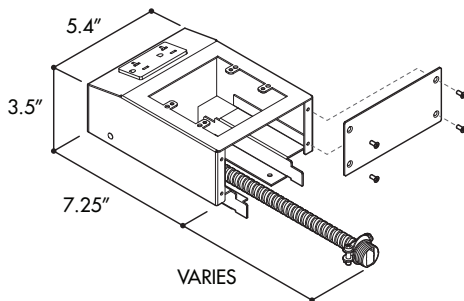


## DUPLEX

**INCLUDES:**

- Single 3-wire, 1-circuit NEMA 5-20R duplex receptacle
- Attached pre-wired galvanized steel flex conduit; 3-wire / 1-circuit with 1/2" knockout fitting (length options below)
- Black ABS plastic cover w/2 mounting screws
- Modular data opening (see page 7)

PART NUMBER	DESCRIPTION	LIST
PS-I-144	20Amp Duplex Receptacle; 144" Infeed	\$266.74
PS-I-288	20Amp Duplex Receptacle; 288" Infeed	\$374.71
PS-I-480	20Amp Duplex Receptacle; 480" Infeed	\$513.37

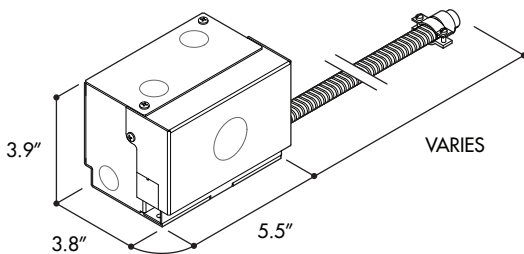


## AV DUPLEX

**INCLUDES:**

- Steel enclosure with access cover
- Single 3-wire, 1-circuit NEMA 5-20R duplex receptacle
- Attached pre-wired galvanized steel flex conduit; 3-wire / 1-circuit with 1/2" knockout fitting (length options below)
- Standard double gang telecom opening; 3" depth for installing AV plates/devices

PART NUMBER	DESCRIPTION	LIST
PS-A-144	20Amp Duplex Receptacle; 144" Infeed	\$351.17
PS-A-288	20Amp Duplex Receptacle; 288" Infeed	\$427.68
PS-A-480	20Amp Duplex Receptacle; 480" Infeed	\$528.60



## 4-CIRCUIT MONUMENT

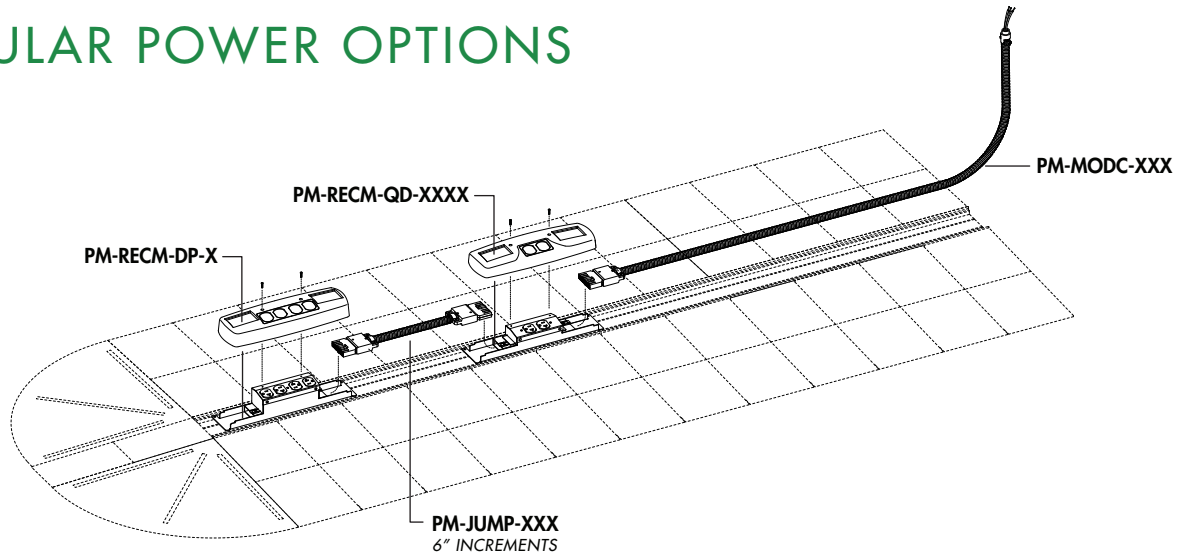
**INCLUDES:**

- Single 36.5 cubic inch steel electrical housing for hardwire connection, black powder coat
- Attached pre-wired galvanized steel flex conduit; 8-wire / 4-circuit with 1/2" knockout fitting (length options below)
- Pass-thru opening for telecom cabling
- Refer to page 9 for wiring diagram options

PART NUMBER	DESCRIPTION	LIST
PS-M-288	8-wire, 4-circuit box for furniture hardwire; 288" infeed	\$499.05
PS-M-480	8-wire, 4-circuit box for furniture hardwire; 480" infeed	\$577.20

**NOTE: SEE MORE POWER OPTIONS ON NEXT PAGE**

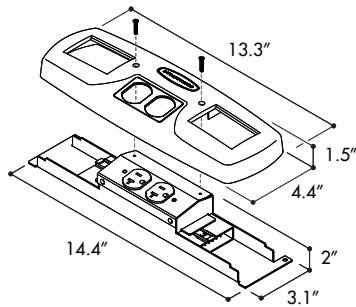
# MODULAR POWER OPTIONS



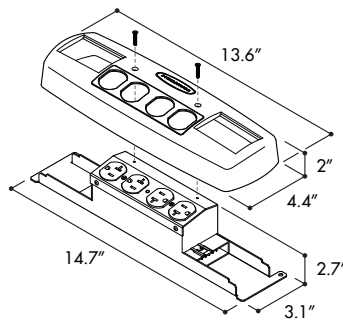
## MODULAR POWER SYSTEMS

- 20Amp NEMA 5-20R duplex or quad receptacles; includes black ABS plastic cover, mounting screws, and two modular data openings (see page 8).
- Modular connections: multiple receptacle units can be connected using modular jumper and power infeed cables
- Receptacle devices are keyed to individual circuits.
- Need an ASHRAE or Title 24 controlled receptacle? Contact us at **973.785.4347** or [sales@fsrinc.com](mailto:sales@fsrinc.com)!
- **MAX DATA CAPACITY:** 6 communications cables can bypass each modular receptacle. Need to accommodate more than 6? We can help! Contact us at **973.785.4347** or [sales@fsrinc.com](mailto:sales@fsrinc.com).

### MODULAR DUPLEX (PN: PM-RECM-DP-X)



### MODULAR QUAD (PN: PM-RECM-QD-XXXX)

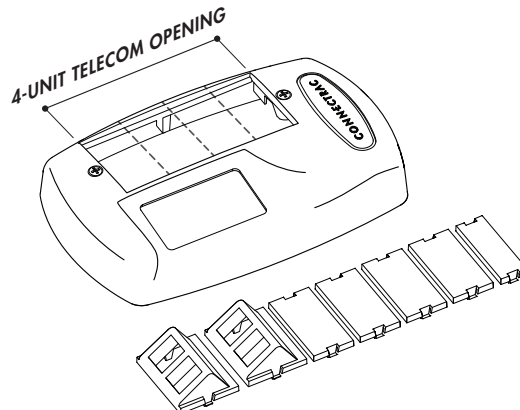


PART NUMBER	DESCRIPTION	LIST
PM-MODC-144	8-Wire Modular Power Infeed, 144" Length	\$271.49
PM-MODC-288	8-Wire Modular Power Infeed, 288" Length	\$430.66
PM-MODC-480	8-Wire Modular Power Infeed, 480" Length	\$492.65
PM-RECM-DP-1	Duplex Receptacle; Both Outlets Ckt 1	\$112.00
PM-RECM-DP-2	Duplex Receptacle; Both Outlets Ckt 2	\$112.00
PM-RECM-DP-3	Duplex Receptacle; Both Outlets Ckt 3	\$112.00
PM-RECM-DP-4	Duplex Receptacle; Both Outlets Ckt 4	\$112.00
PM-RECM-QD-1111	Quad Receptacle; Four Outlets Ckt 1	\$179.44
PM-RECM-QD-2222	Quad Receptacle; Four Outlets Ckt 2	\$179.44
PM-RECM-QD-3333	Quad Receptacle; Four Outlets Ckt 3	\$179.44
PM-RECM-QD-4444	Quad Receptacle; Four Outlets Ckt 4	\$179.44
PM-RECM-QD-1122	Quad Receptacle; Two Outlets Ckt 1, Two Outlets Ckt 2	\$179.44
PM-RECM-QD-3344	Quad Receptacle; Two Outlets Ckt 3, Two Outlets Ckt 4	\$179.44
PM-JUMP-024	Modular Jumper Cable for 24" On-Center Devices	\$65.51
PM-JUMP-030	Modular Jumper Cable for 30" On-Center Devices	\$70.39
PM-JUMP-036	Modular Jumper Cable for 36" On-Center Devices	\$75.26
PM-JUMP-042	Modular Jumper Cable for 42" On-Center Devices	\$80.13
PM-JUMP-048	Modular Jumper Cable for 48" On-Center Devices	\$85.00
PM-JUMP-054	Modular Jumper Cable for 54" On-Center Devices	\$89.88
PM-JUMP-060	Modular Jumper Cable for 60" On-Center Devices	\$94.76
PM-JUMP-066	Modular Jumper Cable for 66" On-Center Devices	\$99.62
PM-JUMP-072	Modular Jumper Cable for 72" On-Center Devices	\$104.49
PM-JUMP-084	Modular Jumper Cable for 84" On-Center Devices	\$114.24
PM-JUMP-096	Modular Jumper Cable for 96" On-Center Devices	\$123.99

# TELECOM-SINGLE DUPLEX

## STANDARD TELECOM KIT

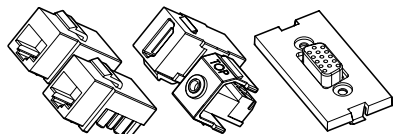
The single duplex device incorporates a four-unit modular telecom opening. Each device comes with two angled TC-UM03-BK modules from Hubbell that accommodate up to four keystone-sized connectors. These modules also accommodate keystone-sized connectors from a variety of other manufacturers.



### INCLUDED MODULES:

- (2) TC-UM03-BK 1.5 unit 2-port angled modules
- (1) TC-BM01-BK .5 unit blank module
- (4) TC-BM02-BK 1.0 unit blank module

*These modules are included with each single duplex*

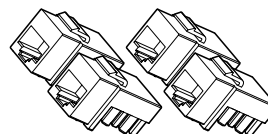


### OPTIONAL AUDIO/VISUAL KIT

#### INCLUDES:

- (2) TC-KS01-BK Cat6 data jacks
- (1) TC-KS08-BK HDMI keystone pass-thru
- (1) TC-OC03-BK VGA gender changer
  - Includes TC-UM02-BK unloaded module
  - Includes 18" slimline VGA patch cable
- (1) TC-KS10-BK 3.5mm audio screw termination jack

PN: TKIT-AV1 | \$162.18



### OPTIONAL VOICE/DATA KIT

#### INCLUDES:

- (4) TC-KS01-BK Cat6 voice/data jacks

PN: TKIT-VD1 | \$49.86

**NOTE:** Both optional telecom kits utilize the (2) TC-UM03-BK modules included with each receptacle cover

## UNLOADED MODULES

PART NUMBER	DESCRIPTION	LIST
TC-UM01-BK	1.5 Unit Angled For VGA (TC-OC03)	\$11.55
TC-UM03-BK	1.5 Unit Angled For (2) Keystone Connectors	\$5.09
TC-UM05-BK	1.0 Unit Flat For (1) Keystone	\$4.66

## KEYSTONE CONNECTORS

PART NUMBER	DESCRIPTION	LIST
TC-KS01-BK	CAT 6 Snap Fit Jack	\$12.51
TC-KS06-BL	USB Snap Fit Pass-Thru F/F Coupler, USB 2.0 A to A	\$67.52
TC-KS08-BK	HDMI Snap Fit Pass-Thru F/F Coupler	\$61.03
TC-KS09-BK	F-Connector Snap Fit Pass-Thru F/F Coupler	\$19.88
TC-KS10-BK	3.5MM Audio Snap Fit, Screw Termination	\$45.77

## OTHER CONNECTORS

PART NUMBER	DESCRIPTION	LIST
TC-OC03	VGA Gender Changer, 15-PIN F/F	\$30.02

# TELECOM-MODULAR POWER

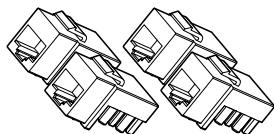
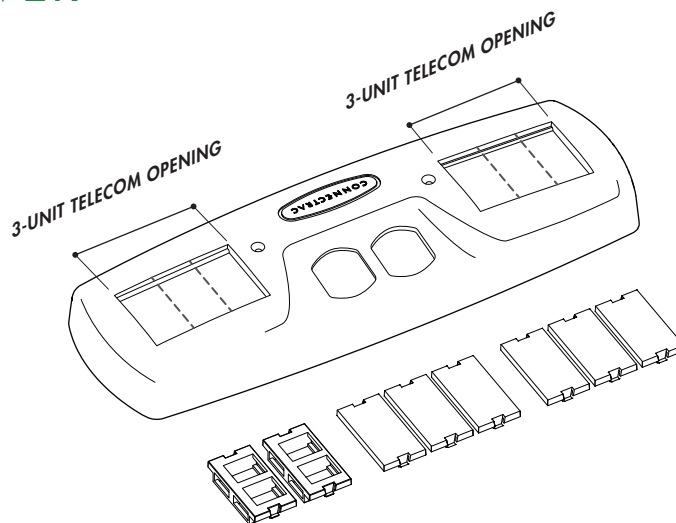
## STANDARD TELECOM KIT

Modular receptacle devices (duplex and quad) each incorporate 2 three-unit modular telecom openings. Each device comes with two TC-UM04-BK modules from Hubbell that accommodate up to four keystone-sized connectors. These modules also accommodate keystone-sized connectors from a variety of other manufacturers.

### INCLUDED MODULES:

- (2) TC-UM03-BK 1.5 unit 2-port angled modules
- (5) TC-BM02-BK 1.0 unit blank module
- (6) TC-BM01-BK .5 unit blank module

*These modules are included with each duplex and quad modular receptacle*



## OPTIONAL VOICE/DATA KIT

INCLUDES:

- (4) TC-KS01-BK Cat6 voice/data jacks

PN: TKIT-VD1 | \$49.86

**NOTE:** The optional telecom kit utilizes the (2) TC-UM04-BK modules included with each receptacle cover

## UNLOADED MODULES

PART NUMBER	DESCRIPTION	LIST
TC-UM01-BK	1.5 Unit Angled For VGA	\$11.55
TC-UM03-BK	1.5 Unit Angled For (2) Keystone Connectors	\$5.09
TC-UM04-BK	1.0 Unit Flat For (2) Keystone Connectors	\$4.66
TC-UM05-BK	1.0 Unit Flat For (1) Keystone Connector	\$4.66

## KEYSTONE CONNECTORS

PART NUMBER	DESCRIPTION	LIST
TC-KS01-BK	CAT 6 Snap Fit Jack	\$12.51
TC-KS06-BL	USB Snap Fit Pass-Thru F/F Coupler, USB 2.0 A to A	\$67.52
TC-KS08-BK	HDMI Snap Fit Pass-Thru F/F Coupler	\$61.03
TC-KS09-BK	F-Connector Snap Fit Pass-Thru F/F Coupler	\$19.88
TC-KS10-BK	3.5MM Audio Snap Fit, Screw Termination	\$45.77

## OTHER CONNECTORS

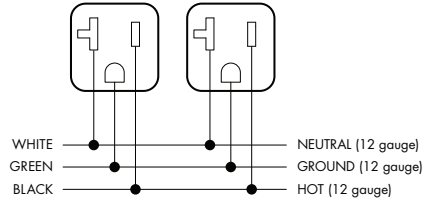
PART NUMBER	DESCRIPTION	LIST
TC-OC03	VGA Gender Changer, 15-PIN F/F	\$30.02



# WIRING DIAGRAMS

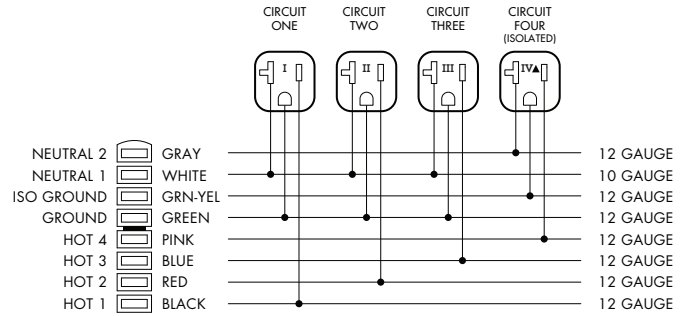
## SINGLE DUPLEX RECEPTACLE SYSTEMS

PS-I-XXX, PS-A-IN-XXX



## MODULAR RECEPTACLE SYSTEMS

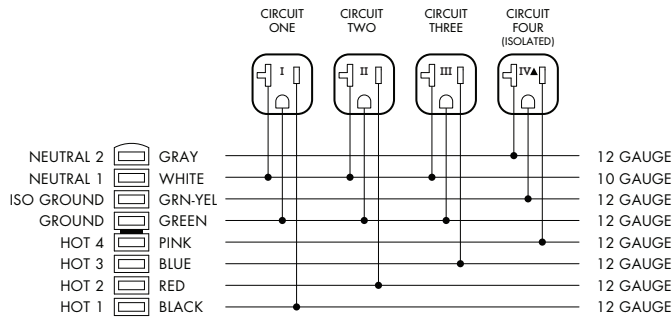
PM-RECM-DP-X, PM-RECM-QD-XXXX



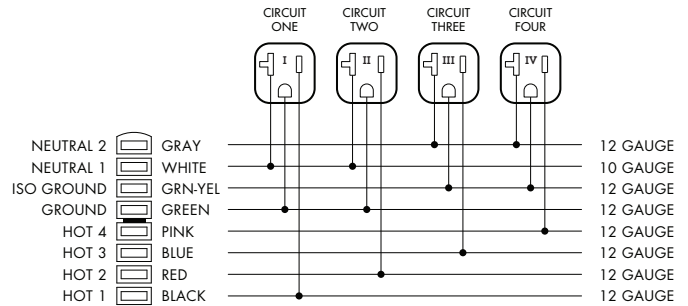
## 4-CIRCUIT CONNECTION MONUMENT

PM-M-XXX

3+1 WIRING OPTION:

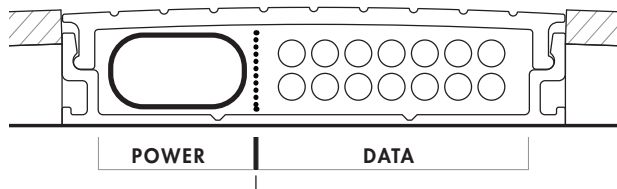


2+2 WIRING OPTION:



**NOTE:** The 4-circuit connection monument can utilize either of the above wiring schemes

## CABLE FILL CAPACITY



INSIDE DIMENSIONS:	3.1" x .6" without power conduit
	2.2" x .6" with power conduit
OUTSIDE DIMENSIONS:	3.7" x .87" without flooring
	3.7" x .62" effective with .25" flooring

**SHIELDING** for low voltage cabling is provided by Connectrac's special galvanized steel flex conduit

STANDARD CABLE FILL CAPACITIES:	Cat 6
Using <b>Single</b> Power device (ref. page 5)	18
Using <b>Modular</b> Power device (ref. page 6)	6

**NOTE:** Typical Cat6 cables are used as a benchmark for communications cable capacity within the wireway. The actual number of cables that can be accommodated will vary based on the dimensions of the cabling, which varies by manufacturer.

## LIMITED WARRANTY

Connectrac products sold by FSR Inc. are covered by the Connectrac Warranty. See below for further details.

Strong Products Group, Ltd. d/b/a Connectrac ("Connectrac") hereby warrants, to the original purchaser or owner (collectively, "Buyer"), that any product manufactured and sold by Connectrac will be substantially free from unreasonable and significant defects in material, construction, and workmanship under normal use, service, and only for their original purpose, for a period of five (5) years from the date of original installation or six (6) years from the date of purchase, whichever is sooner. Standard commercial tolerances apply. This Limited Warranty ("Statement") applies only to products, which have been installed properly in accordance with Installation Instructions supplied by Connectrac and any applicable codes and standards.

This Statement is void if any Connectrac products have been modified, repaired, altered, tampered, mixed with, or intermixed (used within a system) with products or materials in a manner not approved by Connectrac. This Statement does not cover Connectrac products subjected to accidents, improper use, improper maintenance, improper cleaning, negligence, misuse, or abuse. This Statement is void if damage results from the use of detergents, cleaners, abrasives, or other harsh chemical agents not authorized or sanctioned by Connectrac. Connectrac is in no way liable or responsible for any damage to Connectrac products that would void this Statement.

When you contact Connectrac, please provide reasonable proof of the date of your purchase of the Connectrac product at issue. It may be necessary for Connectrac to arrange an inspection of your product to determine whether or not a defect exists. Connectrac's sole obligation (and the sole exclusive remedy of the Buyer) with respect to any products that are proven to be defective, will, at the sole discretion of Connectrac, be the repair or replacement of the defective products or refund of the purchase price of the defective products. Returned products will not be accepted unless Connectrac is notified and authorizes the return, in writing, prior to shipment.

Certain products of Connectrac may have a specific limited warranty or limitation of liability included that differs from this Statement.

The terms of any such specific limited warranty or limitation of liability supersede those set forth in this Statement.

Connectrac's products are listed by Underwriters Laboratories, Inc. and the Canadian Standards Association. Buyer agrees to exercise reasonable care in the installation and use of Connectrac products. Buyer acknowledges that Connectrac products may be dangerous and agrees to release Connectrac from any liability for injury or damage in connection therewith. Buyer further agrees to defend, indemnify, and hold harmless Connectrac from and against any and all third-party claims and liabilities (including, without limitation, reasonable attorneys' fees and costs), regardless of the form of action, arising out of or in connection with the installation and use of Connectrac products, provided that Buyer is notified promptly in writing of the action, Connectrac has not reached any compromise or settlement of such action or made any admissions in respect of the same, and Buyer is given the option, at its expense, to control the action and all requested reasonable assistance, including indemnification from any third party, to defend the same.



# SHIPPING, TERMS AND CONDITIONS

All orders are shipped complete unless requested. Free ground shipping for all orders within the United States excluding Alaska, Hawaii, and Puerto Rico. Orders from this Price list take 24 hours to process.

For complete terms and conditions: <http://www.fsrinc.com/terms/TermsOfSale.html>.