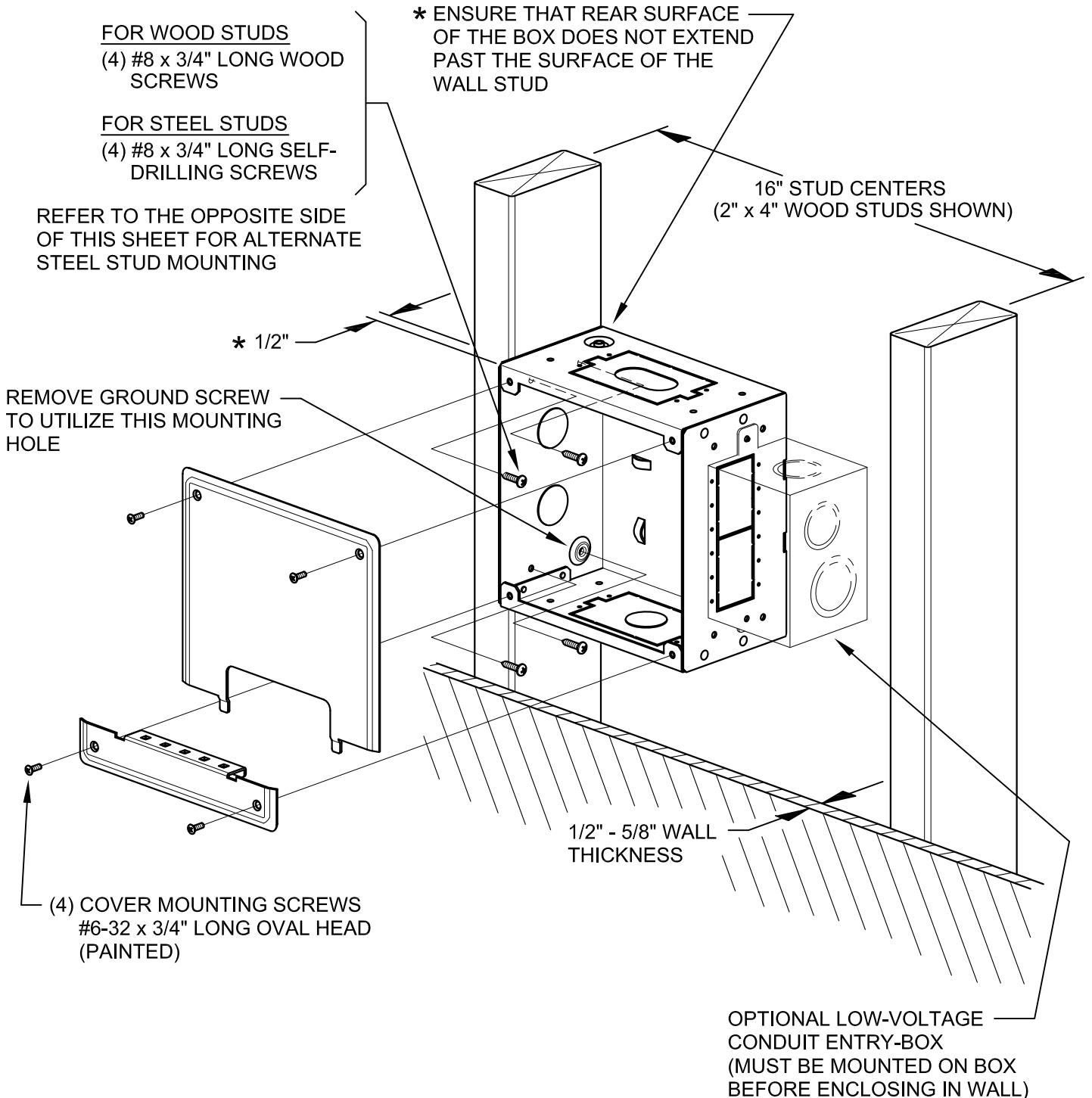


FOR MOUNTING BOX AGAINST WOOD OR STEEL STUDS

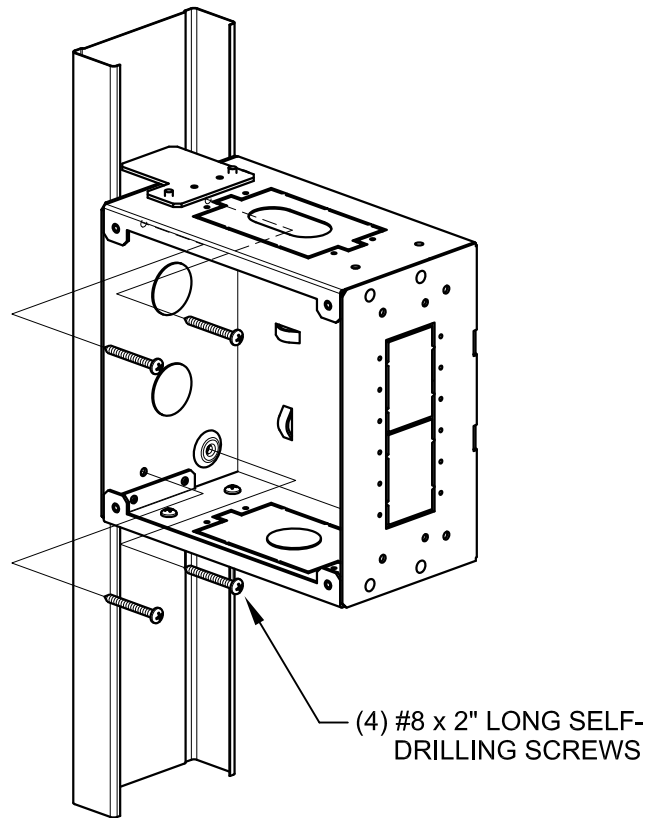
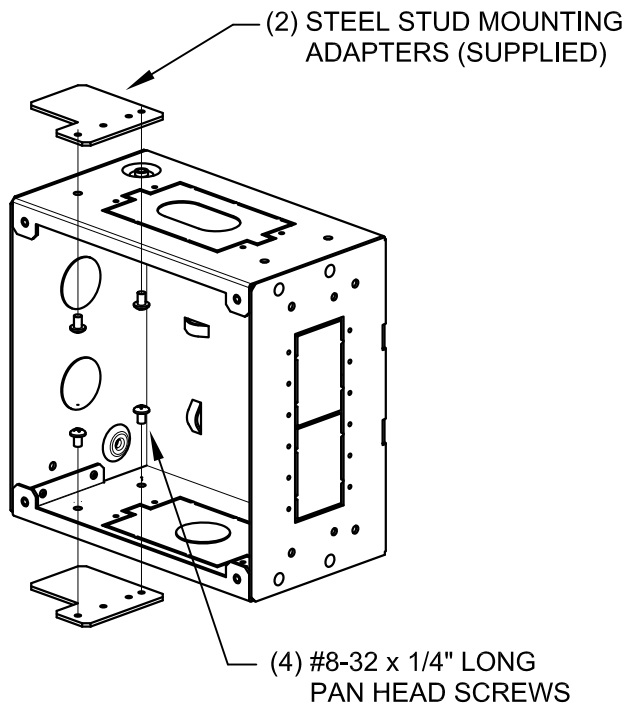
WALL OPENING: 7-1/4" X 7-1/4"

NOTE: BOX CAN BE ORIENTED IN ANY OF (4) POSITIONS
DEPENDING UPON ACCESSORY LOCATION

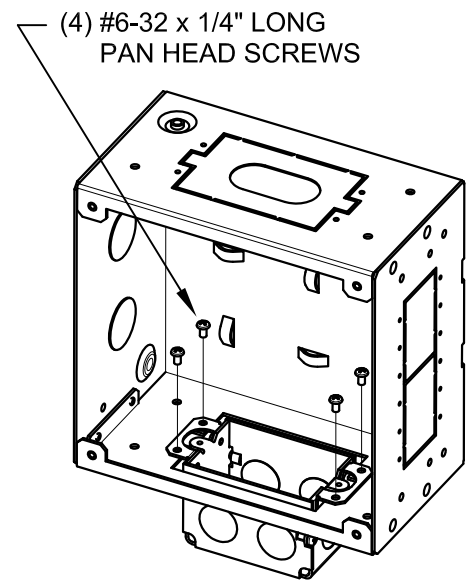
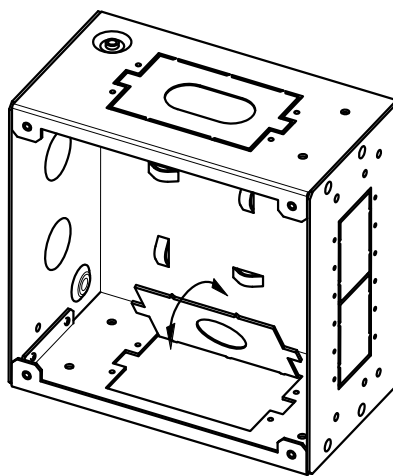
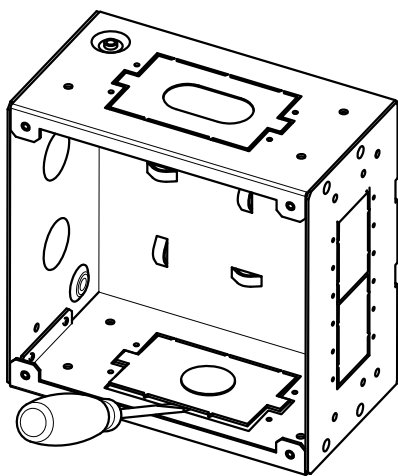


FOR MOUNTING TO OPEN SIDE OF STEEL STUDS

TYPICAL FOR ALL ORIENTATIONS



AC OUTLET BOX BREAKOUT



1

USE A SCREWDRIVER TO BREAK TABS ON BREAKOUT NEAREST BOX OPENING

2

ROTATE BACK AND FORTH UNTIL REMAINING TABS BREAK, THEN DISCARD

3

INSTALL SWITCH-BOX FROM THE INSIDE OF WALL BOX WITH THE SUPPLIED SCREWS