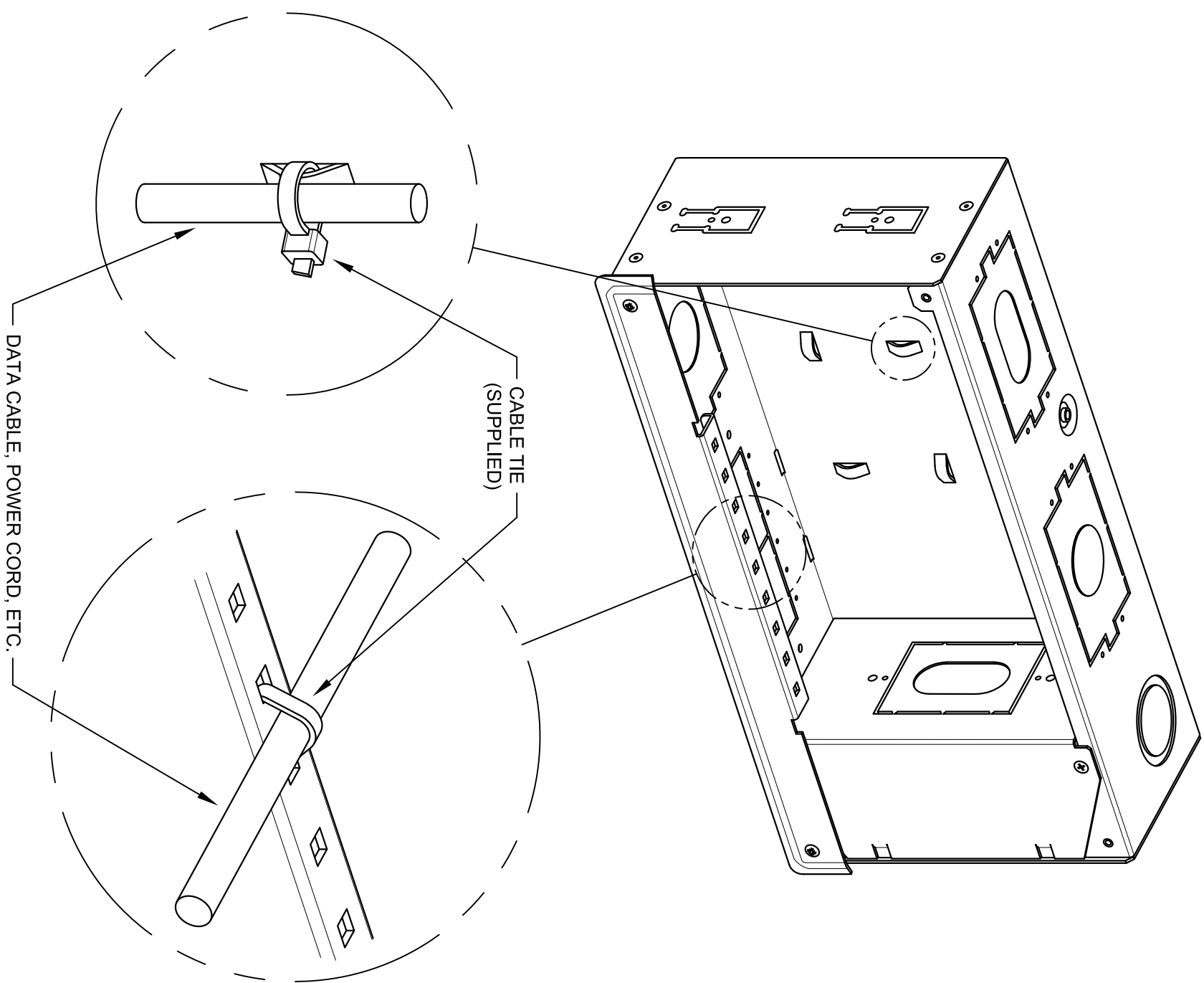


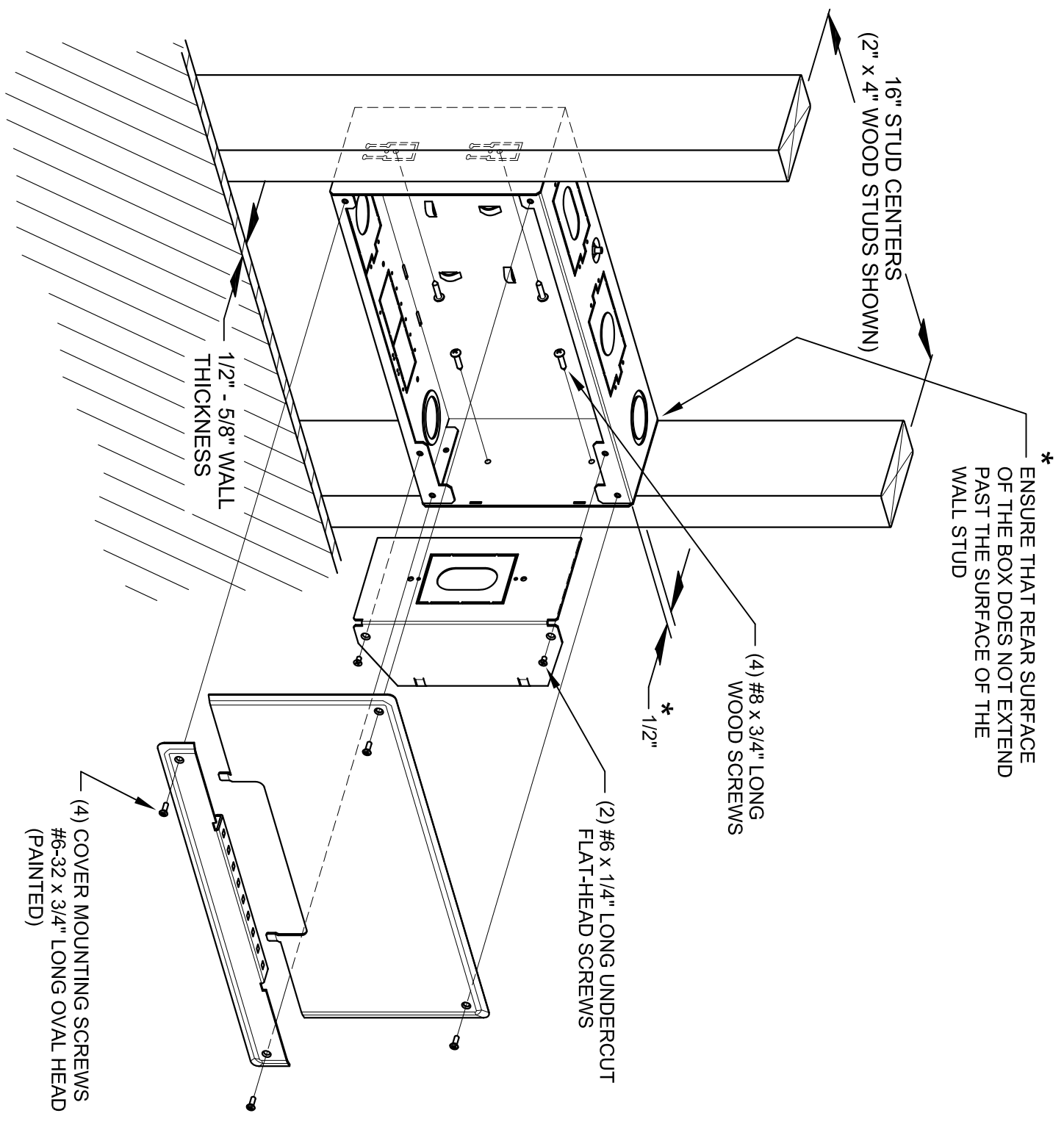
**CABLE MANAGEMENT**



**FSP** PWB-250 WALL BOX STANDARD MOUNTING INSTRUCTIONS  
 244 Bergen Boulevard, Woodland Park, NJ 07424, Phone: 973.785.4347 - Fax: 973.785.4207

**FOR MOUNTING BOX AGAINST WOOD STUDS**

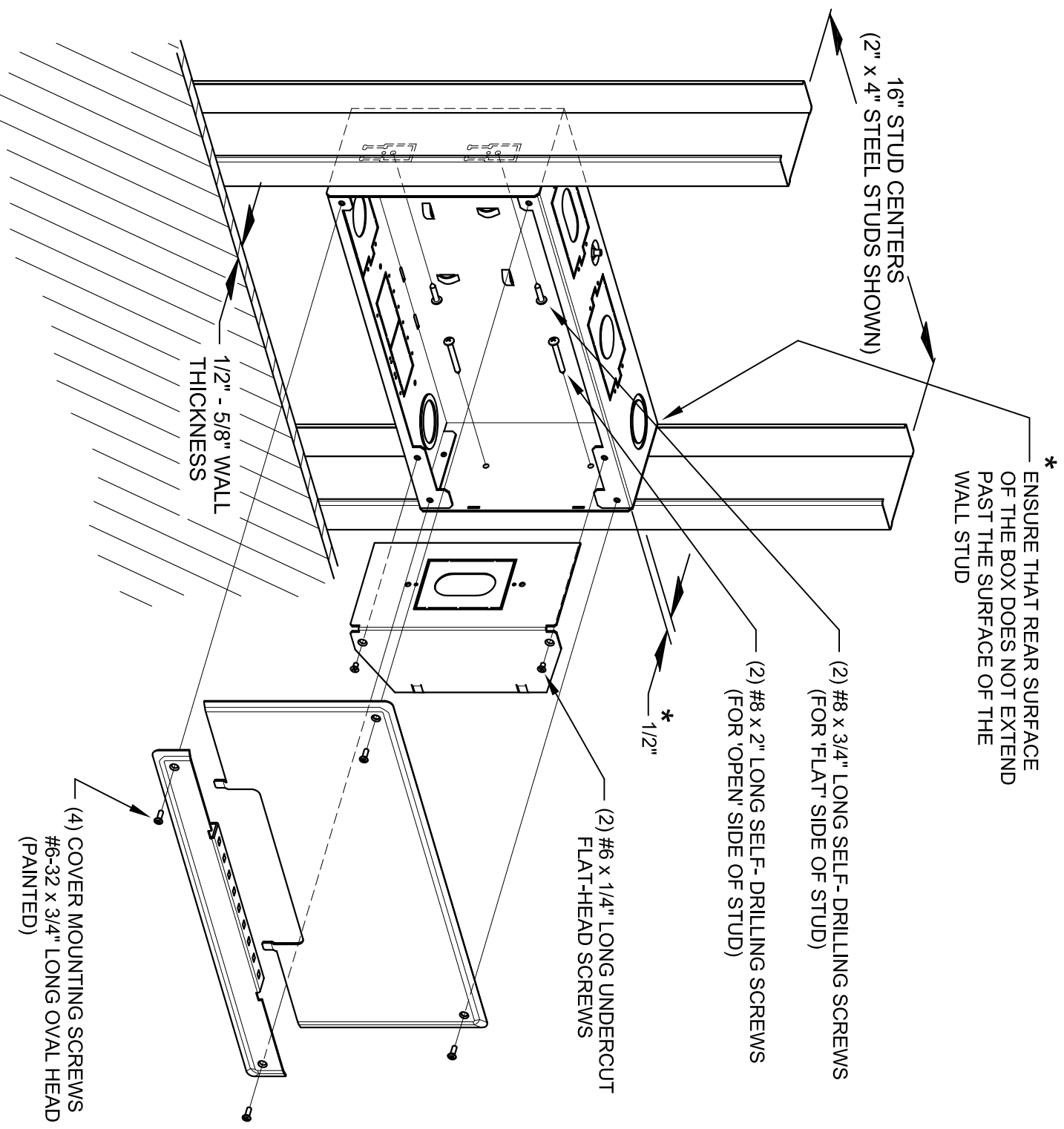
WALL OPENING: 14-3/8" X 7-1/4"  
 NOTE: BOX CAN BE ORIENTED IN ONE OF TWO POSITIONS



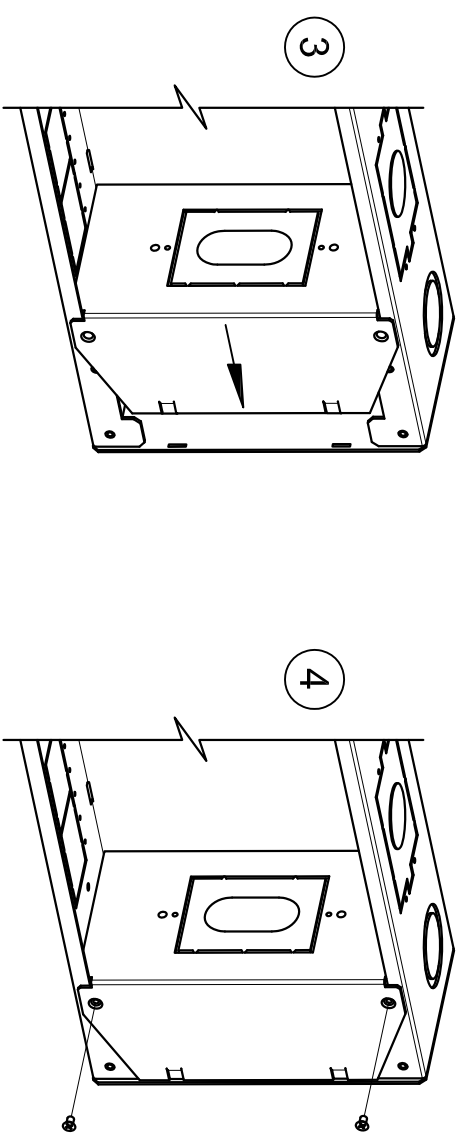
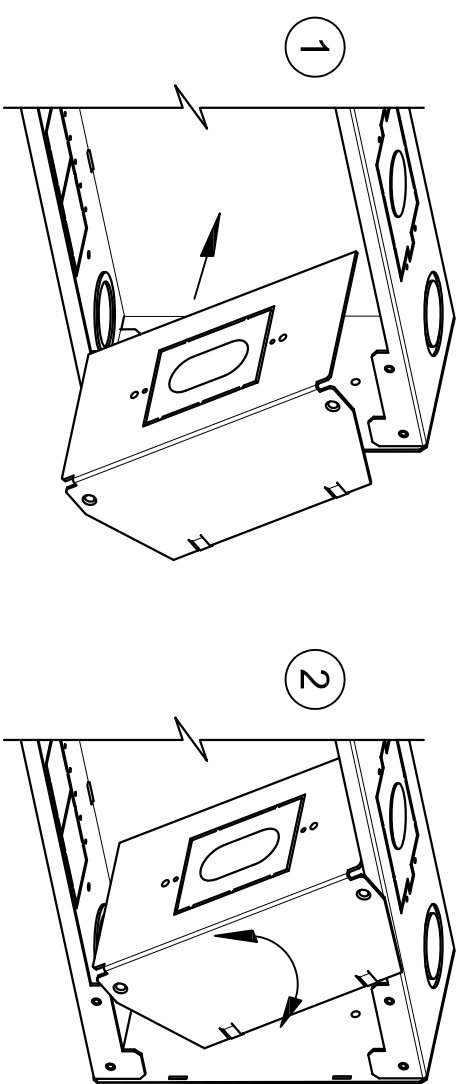
## FOR MOUNTING BOX AGAINST STEEL STUDS

WALL OPENING: 14-3/8" X 7-1/4"

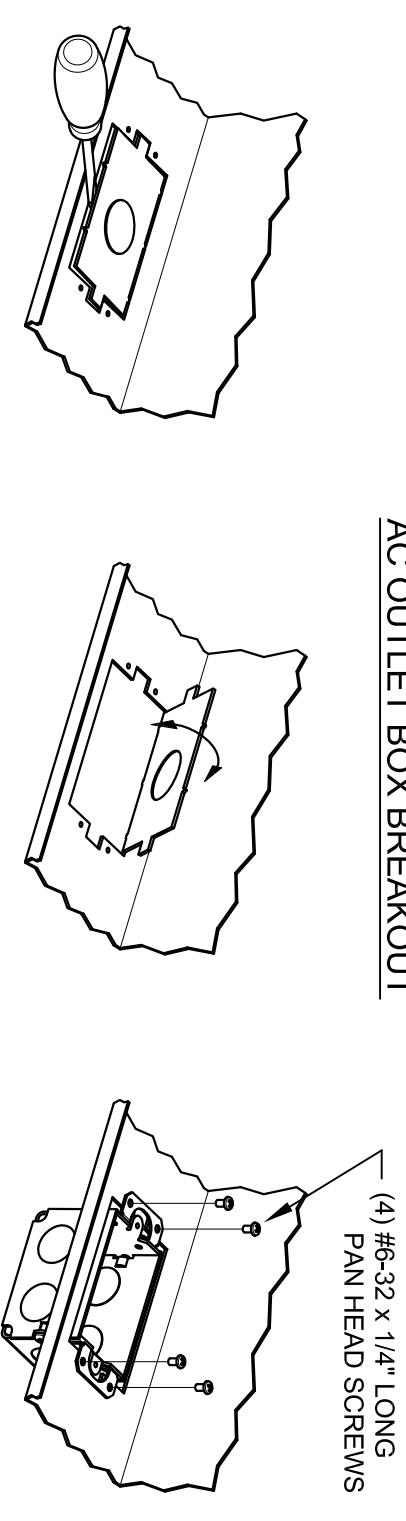
NOTE: BOX CAN BE ORIENTED IN ONE OF TWO POSITIONS



## PASS-THRU ENCLOSURE COVER INSTALLATION



## AC OUTLET BOX BREAKOUT



1 USE A SCREWDRIVER TO BREAK TABS ON BREAKOUT NEAREST BOX OPENING

2 ROTATE BACK AND FORTH UNTIL REMAINING TABS BREAK, THEN DISCARD

3 INSTALL SWITCH-BOX FROM THE INSIDE OF WALL BOX WITH THE SUPPLIED SCREWS