

PWB-320 / PWB-323

Project Wall Boxes



FSR

Metal Products Group

PWB-320 / PWB-323



(Shown with optional equipment installed)

DESCRIPTION

These economical, large opening wall boxes are designed to fit in 16" on center stud bays. Their design simplifies audio video and IT installations by providing space for routing cables, AC power connections, and digital media products. The PWB-320 is for 4" stud walls and has up to 2" KO's. The PWB-323 is for 3" stud walls and has up to 1 1/4" KO's.

All boxes come standard with 8 flush cable-tie mounts, 6 Triple-Play mounting solutions for AC/AV/IT, 6 IPS mounting openings, a grounding screw, steel stud mounting brackets and hardware for new or old-work wood or steel stud walls.

The PWB-32x-TRK kit includes all of the above features plus a powder coated trim ring for dressing the dry-wall opening. This rounded trim ring provides a generous 7/8" overlap.

The PWB-32x-ESK kit includes the above TRK features and an internal shelving system. Two adjustable shelves include a hole pattern that allows for any screw spacing from 3/8" to 1 3/4" including multiple VESA 100 hole pattern locations.

The PWB-320-CV is an optional powder coated cover with rounded cable exits. The vented cover mounts to the trim ring with four tool-less snap fasteners to allow quick access to the equipment inside.

There are optional internal AC brackets available with 2 or 3 Decora Spike Shield™ 15-amp surge protected receptacles. See ordering table for model numbers.

APPLICATIONS

- Digital Signage
- Hospitals
- Conference Centers
- Schools
- Airports
- Command Centers
- Electronic Billboards
- Museums
- Arenas

FEATURES

- Mounts to wood or steel studs, 16" centers
- No extra parts needed for New or Old work installations
- Can be ordered individually or in 3 different kits and in 2 depths
- Optional painted cover with cable exits and tool-less fasteners
- Up to 2" KO on PWB-320
- Up to 1-1/4" KO on PWB-323
- Six IPS mounting openings
- Eight Flush cable-tie mounts
- Six Triple Play Mounting Solution openings per box
- Optional Cover and Trim Ring available separately
- Optional (2) adjustable component shelves with position lock
- Optional AC power brackets with 15-amp surge protected receptacles

FSR Inc.

244 Bergen Boulevard, Woodland Park, NJ 07424

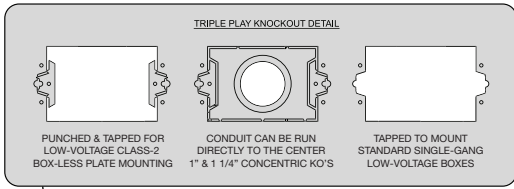
Phone: 973.785.4347 · Fax: 973.785.4207

Order Desk: 1-800-332-FSR1

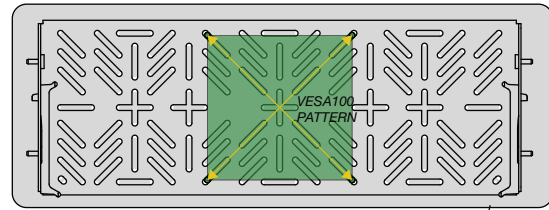
Web: fsrinc.com · E-mail: sales@fsrinc.com LIT1651A

FEATURES / DETAILS

TRIPLE PLAY KNOCKOUT SYSTEM



VESA 100 MOUNTING PATTERN



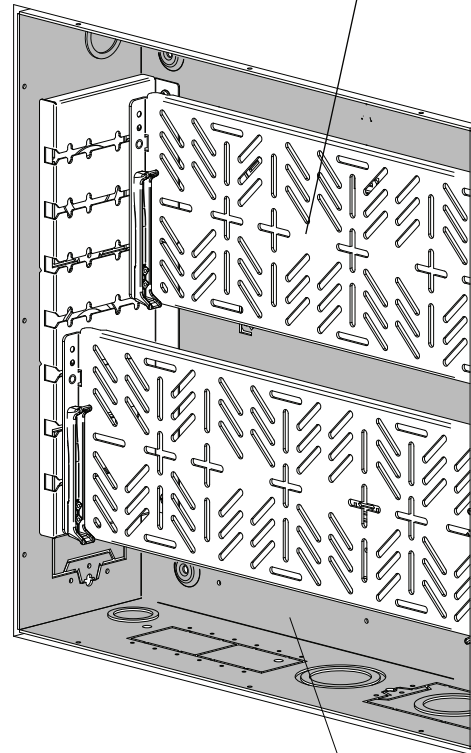
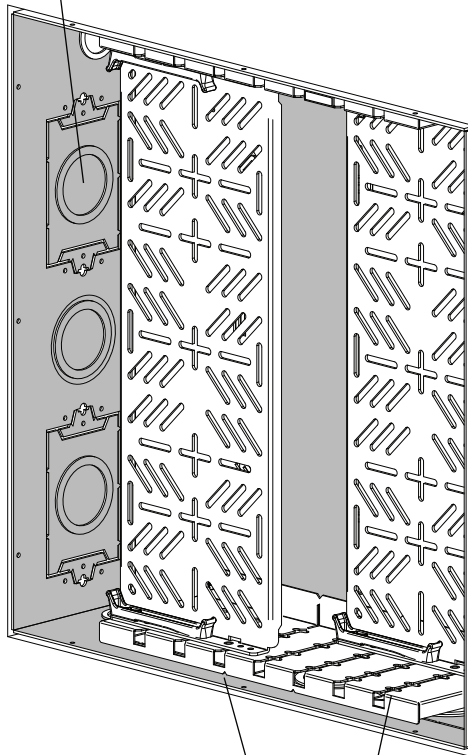
FSR PWB boxes are punched in six locations with FSR's Triple Play Mounting Solution which provides three different options for mounting conduit, cabling, plates, and back boxes to our wall boxes.

FSR's patent-pending Triple Play Mounting Solutions:

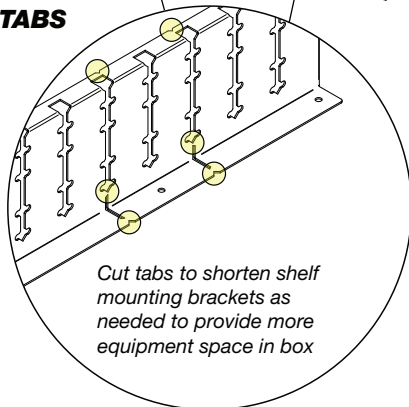
1. Conduit can be run directly to the Center 1" & 1 1/4" Concentric Knock Out
2. Punched & Tapped for Low-voltage Class-2 box-less plate mounting
3. Tapped to mount standard single gang low-voltage boxes

SHELVING FEATURES

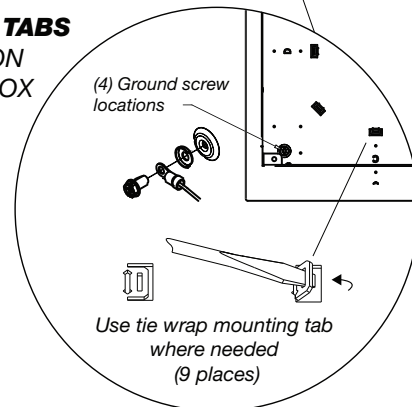
Shelving location and depth can be adjusted as well as mounted in horizontal or vertical orientation



CUT TABS



TIE WRAP TABS LOCATED ON BACK OF BOX

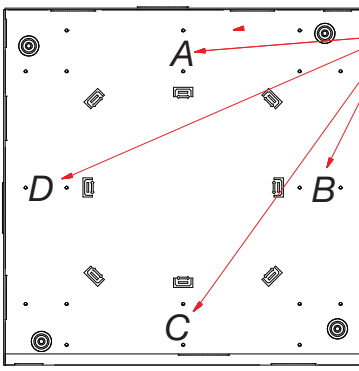


Drawings are available on the FSR website.

DIMENSIONS / DETAILS

BOX SIDE DETAILS

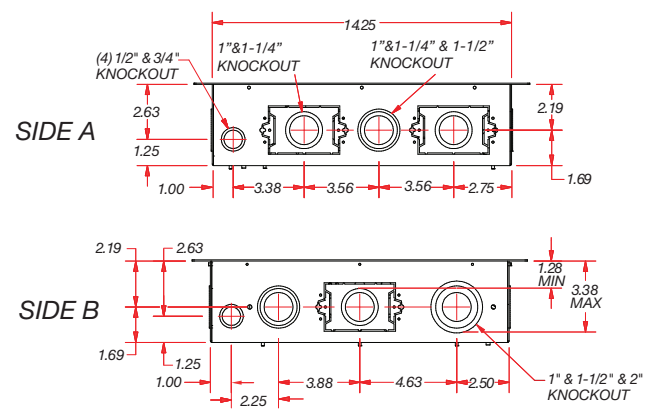
LETTERS (A,B,C,D) DENOTE THE SIDES OF THE BOX FOR REFERENCE



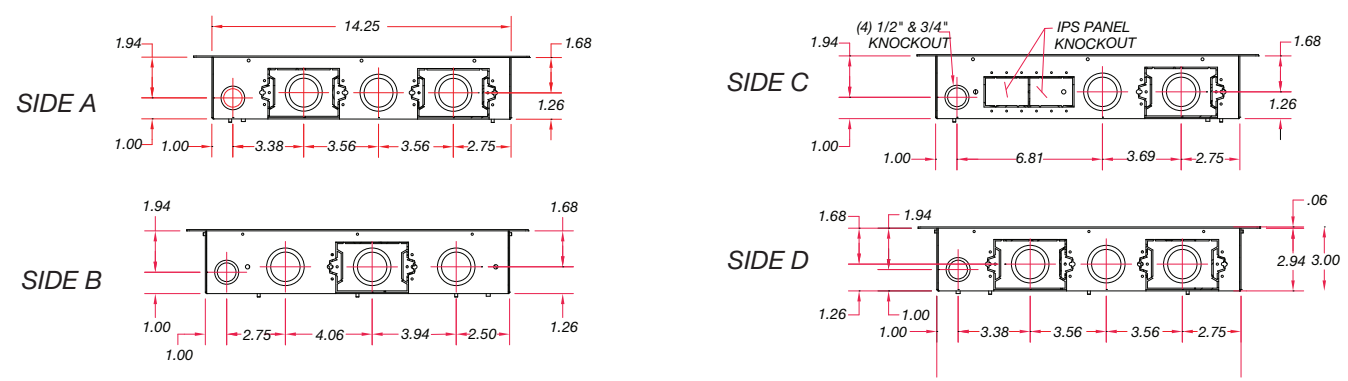
SIDE LOCATION REFERENCE LETTERS

Drawings are available on the FSR website.

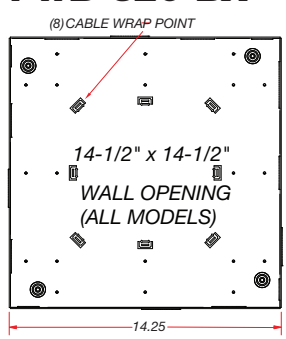
PWB-320



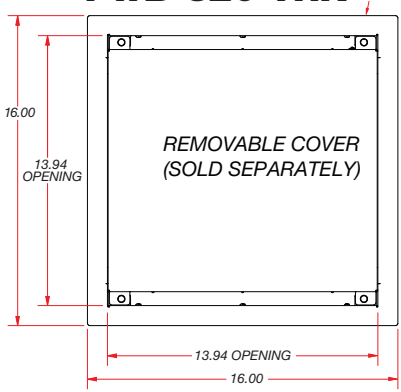
PWB-323



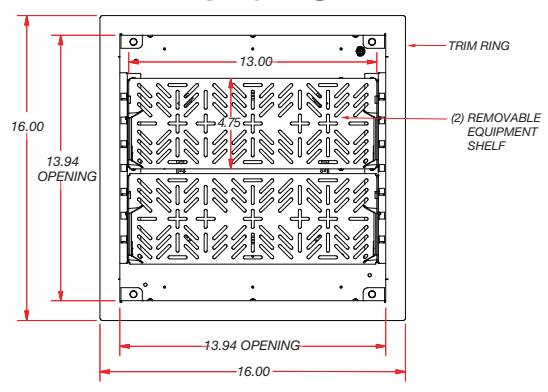
PWB-320-BX



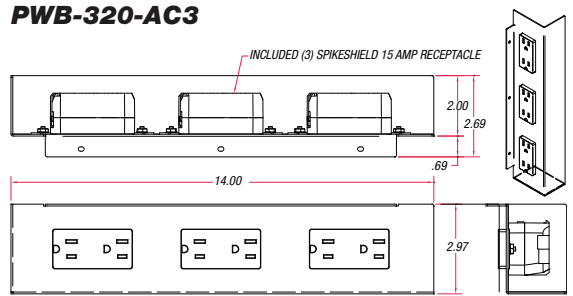
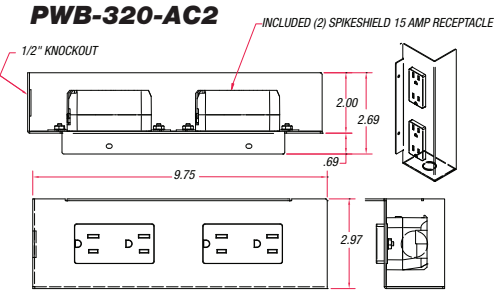
PWB-320-TRK



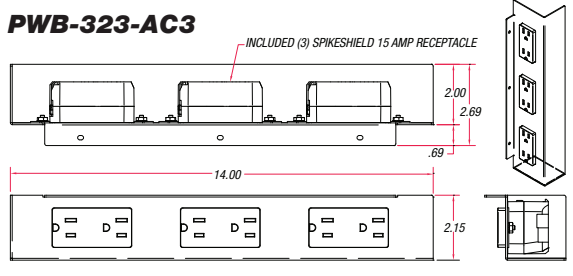
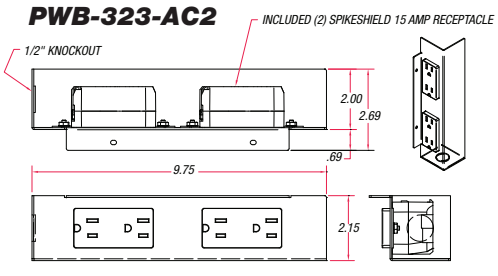
PWB-320-ESK



AC POWER BRACKETS

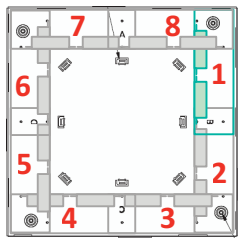


Drawings are available on the FSR website.

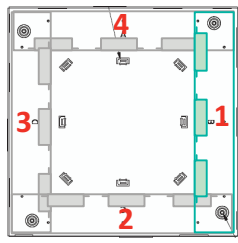


AC POWER BRACKET LOCATIONS

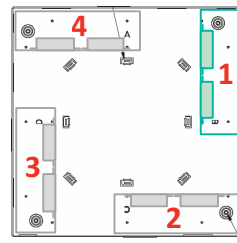
PWB-320-AC2



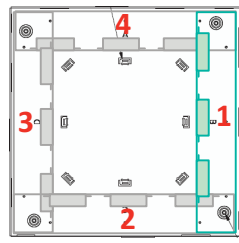
PWB-320-AC3



PWB-323-AC2



PWB-323-AC3



PWB-320/323 AC Power Bracket total number of available positions shown for each AC Power Bracket style.

ORDERING TABLE

Item #	Model #	Description
18004	PWB-320-BX	Full size wall box with mounting hardware
18005	PWB-320-TRK	Kit consisting of full size box with finished Trim Ring
18006	PWB-320-ESK	Kit consisting of full size box, with 2 equipment shelves and finished trim ring
18009	PWB-320-AC2	Internal AC bracket with 2 Decora SpikeShield™ 15 amp Receptacles
18010	PWB-320-AC3	Internal AC bracket with 3 Decora SpikeShield™ 15 amp Receptacles
18007	PWB-320-TR	Decorative finished trim ring only (fits PWB-320 and PWB-323)
18008	PWB-320-CV	Decorative Cover only (fits PWB-320 and PWB-323)
18011	PWB-323-BX	Full size wall box with mounting hardware
18012	PWB-323-TRK	Kit consisting of full size box with finished Trim Ring
18013	PWB-323-ESK	Kit consisting of full size box, with 2 equipment shelves and finished trim ring
18014	PWB-323-AC2	Internal AC bracket with 2 Decora SpikeShield™ 15 amp Receptacles
18015	PWB-323-AC3	Internal AC bracket with 3 Decora SpikeShield™ 15 amp Receptacles
18055	PWB-320-SMK	Shelf Kit - 2 Shelves and Side Brackets
18056	PWB-323-SMK	Shelf Kit - 2 Shelves and Side Brackets

Specifications are subject to change without notice.



FSR Inc.

244 Bergen Boulevard, Woodland Park, NJ 07424
 Phone: 973.785.4347 · Fax: 973.785.4207
 Order Desk: 1-800-332-FSR1
 Web: fsrinc.com · E-mail: sales@fsrinc.com