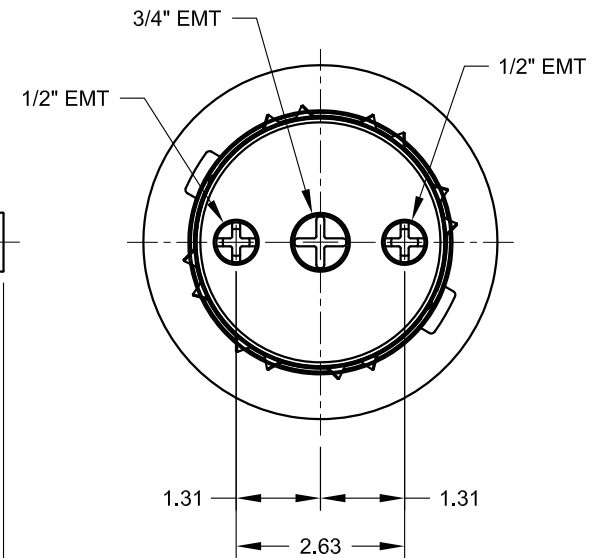
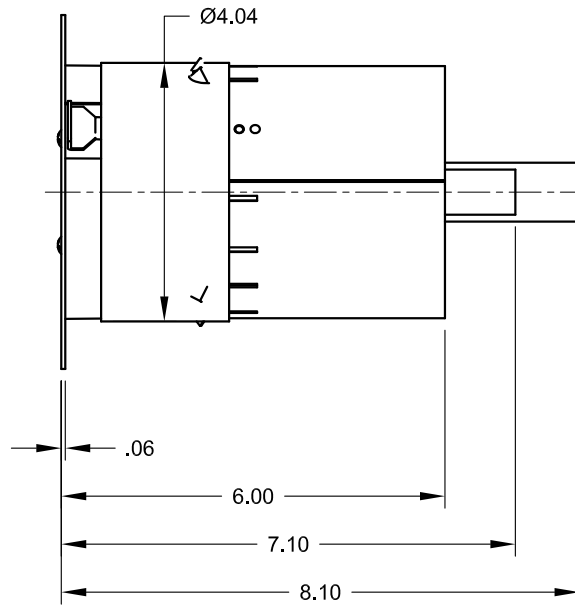
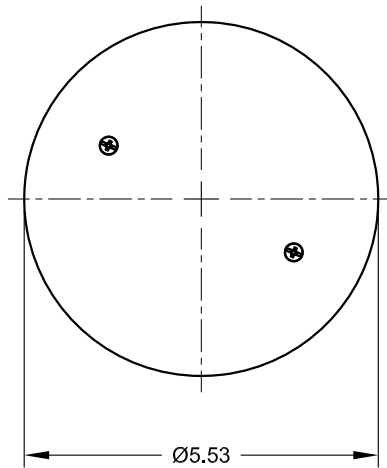
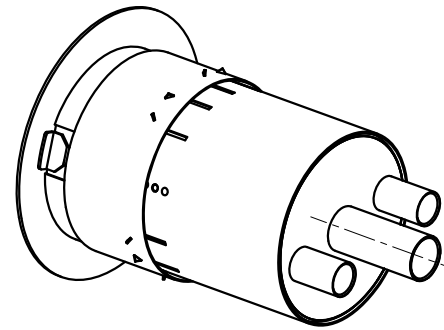


Touchboards

205 Westwood Ave, Long Branch, NJ 07740
 Phone: 866-94 BOARDS (26273) / (732)-222-1511
 Fax: (732)-222-7088 | E-mail: sales@touchboards.com

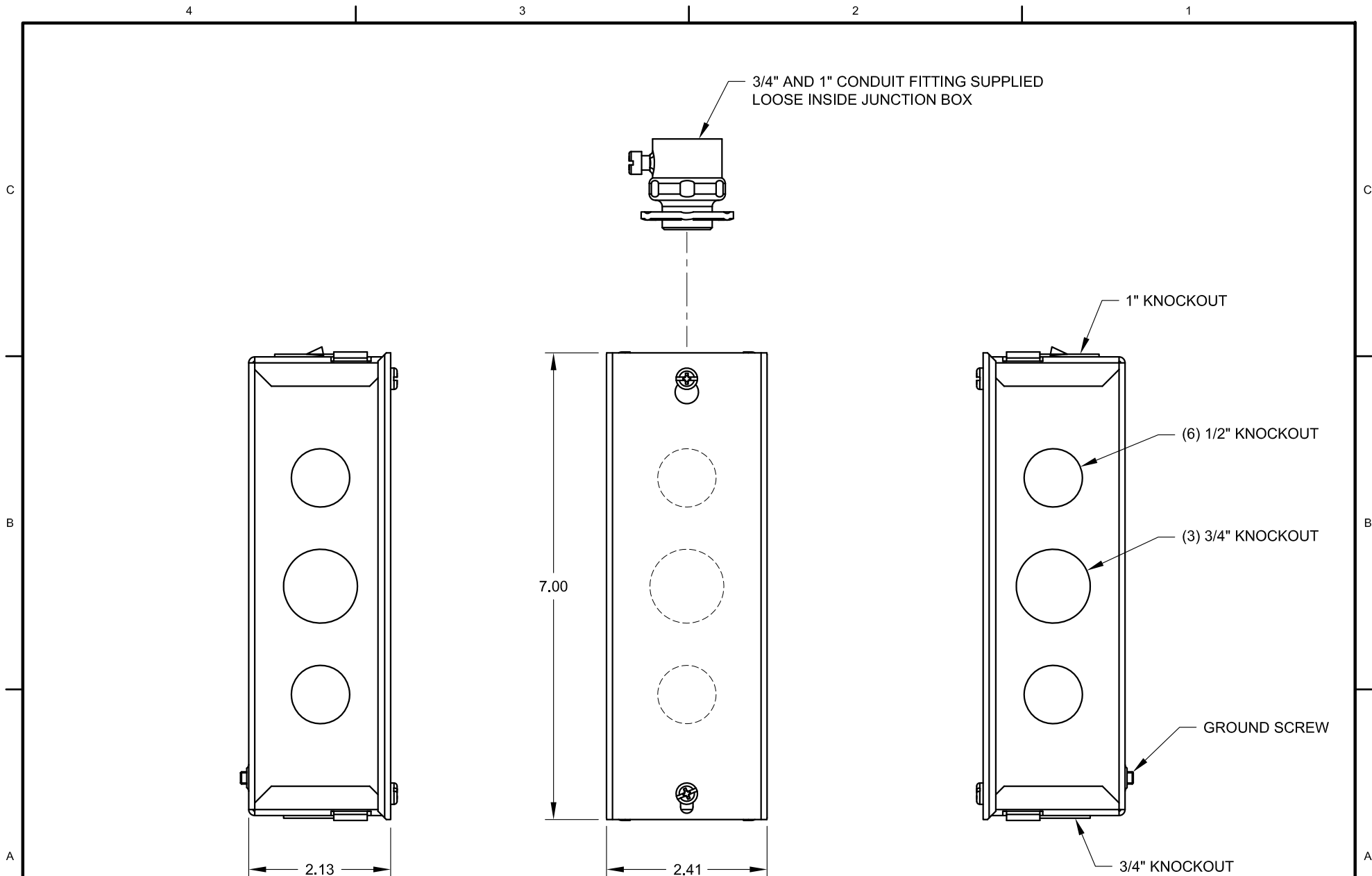


NOTES:

1. JUNCTION BOX IS INCLUDED WITH FLOOR FITTING. SEE SHEET 2 FOR JUNCTION BOX DIMENSIONS. JUNCTION BOX SHIPPED LOOSELY WITH UNIT.
2. FOR USE IN A 4.00" - 4.12" DIAMETER HOLE. MINIMUM THICKNESS OF CONCRETE 2.25".

FSR inc.
 244 BERGEN BLVD.
 WOODLAND PARK, NJ 07424
 TEL. (973) 785-4347
 FAX (973) 785-3318

TITLE:		
SF4 FLOOR BOX		
DRAWN BY: JRE	DATE: 03/08/16	REV: -
DWG#: SF4	PAGE: 1 OF 2	SCALE: 1:3



NOTES:

1. BOX VOLUME - 27 cu. in.
2. PART IS UL/CUL LISTED.

FSR inc. <small>244 BERGEN BLVD. WOODLAND PARK, NJ 07424 TEL (973) 785-4347 FAX (973) 785-3318</small>	TITLE: SF4 JUNCTION BOX		
	DRAWN BY: JRE	DATE: 03/08/16	REV: -
	DWG#: SF4	PAGE: 2 OF 2	SCALE: 1:2