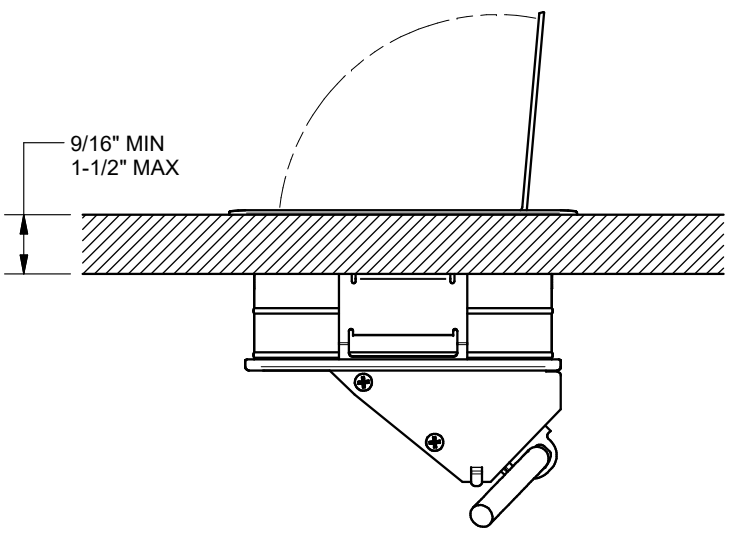
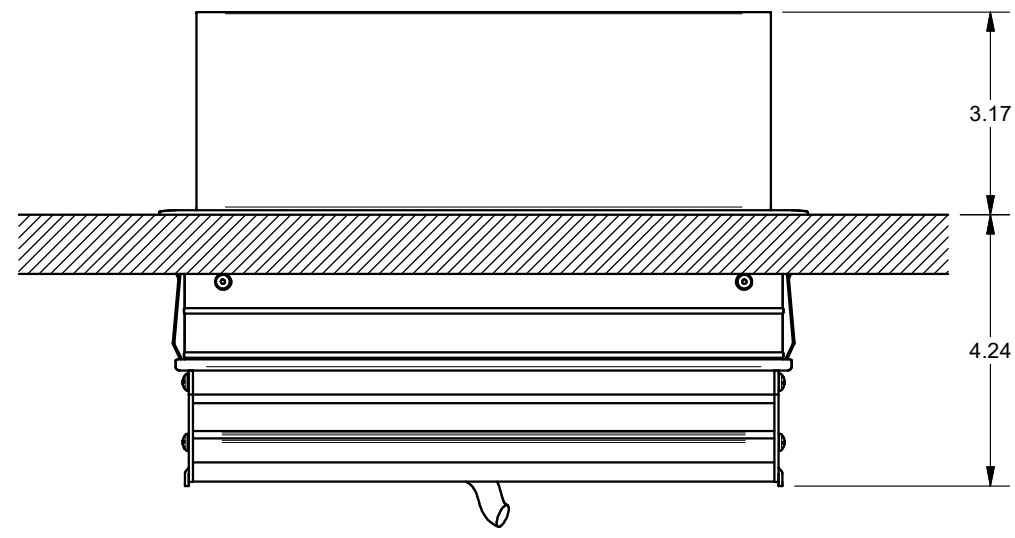
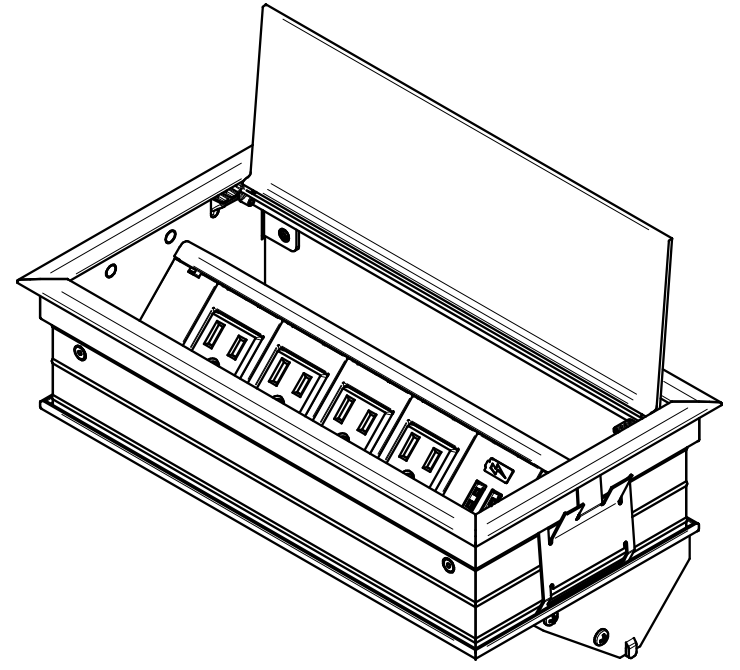
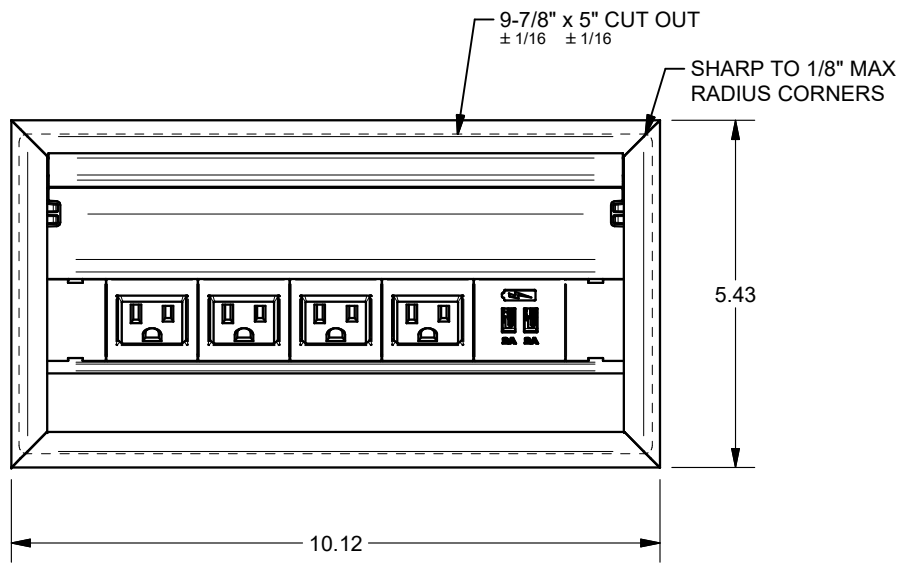


4 3 2 1



C

C

B

B

A

A

4 3 2 1

| | | | |
|--|-----------------------|----------------|----------|
| FSR inc. 244 BERGEN BLVD. WOODLAND PARK, NJ 07424 TEL (973) 785-4347 FAX (973) 785-3318 | TITLE: SYM-IN-4AC-1CA | | |
| | DRAWN BY: JRE | DATE: 01/07/19 | REV: 01 |
| | DWG#: | SYM-IN-4AC-1CA | SCALE: - |
| | | | |