

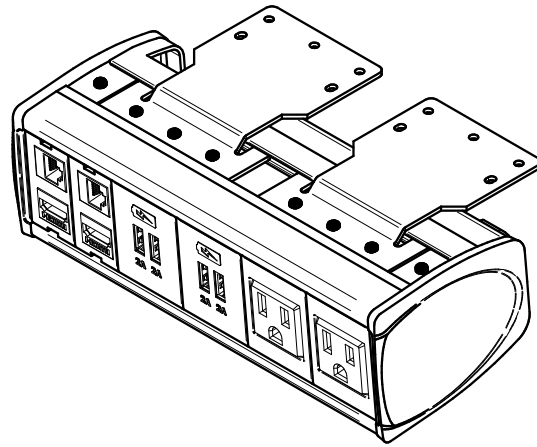
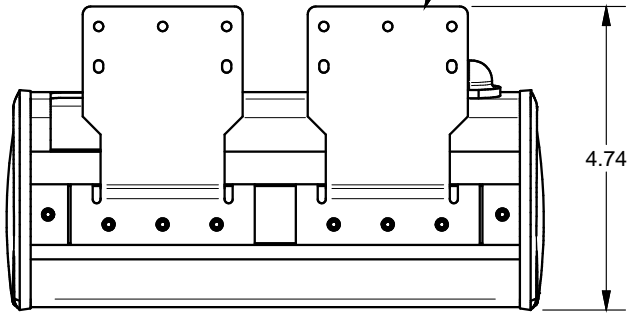
4

3

2

1

ASSEMBLY MAY HAVE
1 OR 2 BRACKETS



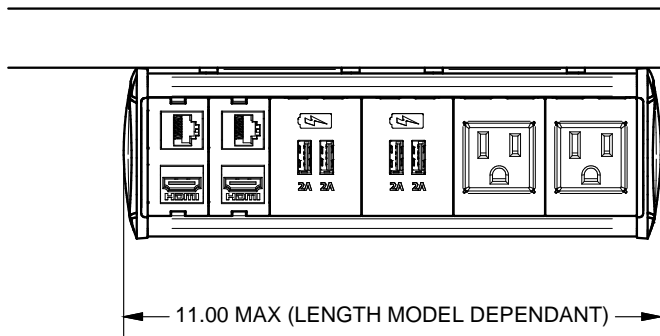
C

C

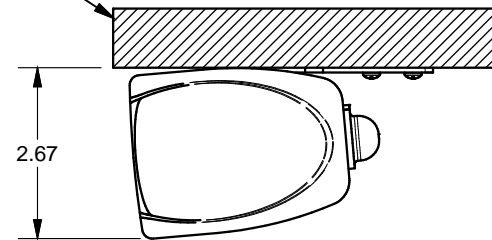
B

B

TABLE EDGE



5/8" MIN



A

A

4

3

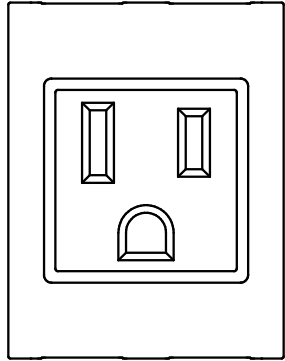
2

1

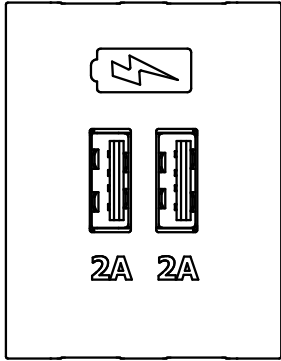
FSR Inc.
 244 BERGEN BLVD.
 WOODLAND PARK, NJ 07424
 TEL (973) 785-4347
 FAX (973) 785-3318

TITLE: SYM-UT		
DRAWN BY: JRE	DATE: 09/17/18	REV: -
DWG#: SYM-UT	PAGE: 1 OF 2	SCALE: -

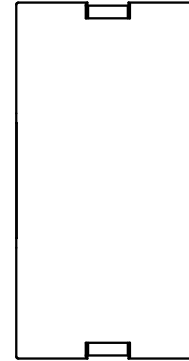
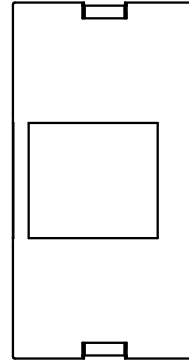
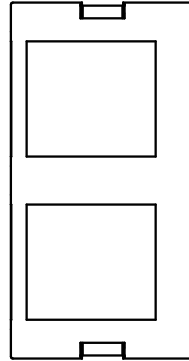
FOR CALCULATING APPROXIMATE LENGTH OF SYMPHONY ASSEMBLY



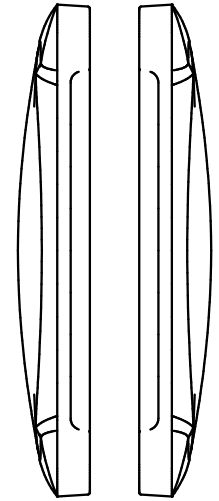
"AC" INSERTS
ADD 1.5" FOR EACH
AC INSERT
MINIMUM: 2
MAXIMUM: 5



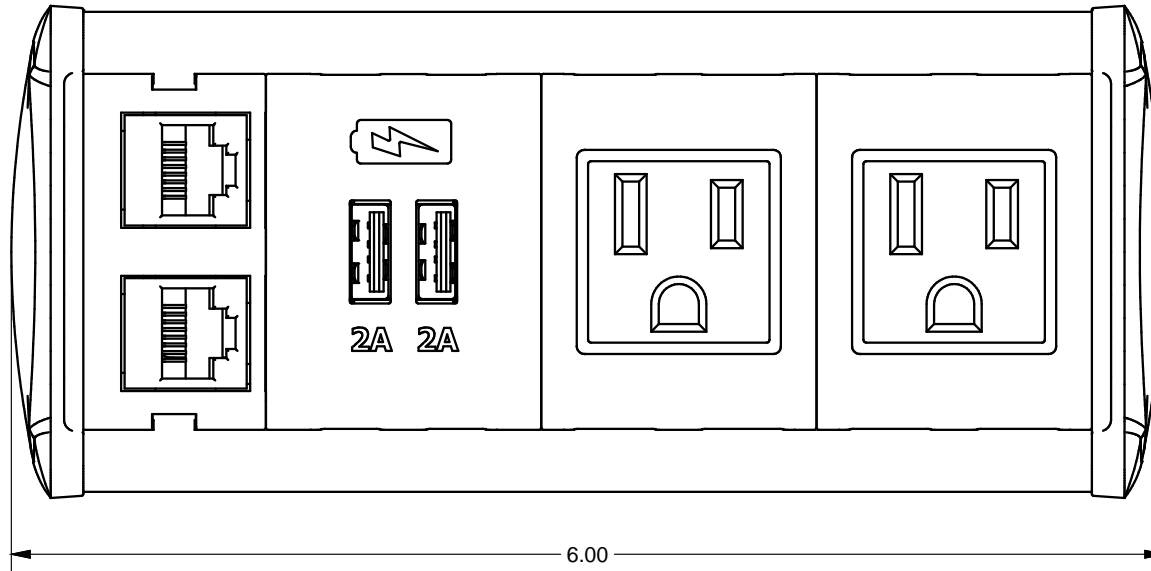
"CA" INSERTS
ADD 1.5" FOR EACH
DUAL USB INSERT
MINIMUM: 0
MAXIMUM: 2



"SS" INSERT KIT
ADD 1" FOR A SINGLE,
DUAL OR BLANK INSERT
MINIMUM: 0



END CAPS
ADD 0.5" FOR
THE TWO CAPS



TYPICAL CONFIGURATION

FSR Inc.
244 BERGEN BLVD.
WOODLAND PARK, NJ 07424
TEL (973) 785-4347
FAX (973) 785-3318

TITLE: SYM-UT		
DRAWN BY: JRE	DATE: 09/17/18	REV: -
DWG#: SYM-UT	PAGE: 2 OF 2	SCALE: -