

T₃-CLCK-SM20 SERIES

Table Microphone Box

NEW!

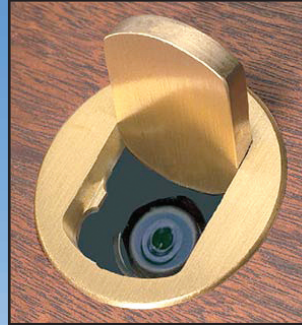


* Mic not included.
US Patent Number: 6,881,080

FSR

Metal Products Group

T₃-CLCK-SM20

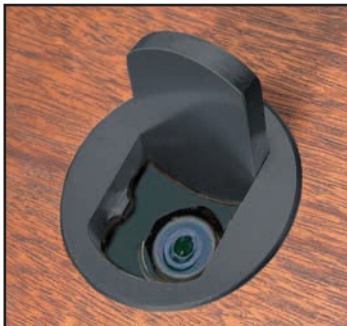


The T₃-CLCK-SM20 is designed exclusively for the CLOCKAUDIO™ SM-20-RF Shock Mount adaptor.

This stylish, mini Tablebox is available in three finishes (brass, silver, or black) to compliment a variety of decors.

The T₃-CLCK-SM20 is a simple installation requiring a 2-inch round hole. Simple mounting instructions are on the back of this sheet.

Designed to accommodate a wide range of tables and lecterns with 3/4-inch to 3 1/4-inch thick surfaces. All necessary hardware is provided as part of the assembly to mount a CLOCKAUDIO™ SM-20-RF Shock Mount (Not included).



* CLOCKAUDIO™ SM-20-RF shock mount adaptor not included.

APPLICATIONS

- Conference and Boardroom Tables
- Lecterns
- Judicial Benches and Tables
- Courtrooms
- State Houses
- Pulpits

FSR Inc.

244 Bergen Boulevard, Woodland Park, NJ 07424
Phone: 973.785.4347 · Fax: 973.785.4207
Order Desk: 1-800-332-FSR1
Web: www.fsrinc.com · E-mail: sales@fsrinc.com

LIT1079B

SPECIFICATIONS

TOP

Material — Aluminum, Brass

Finish — Anodized Black

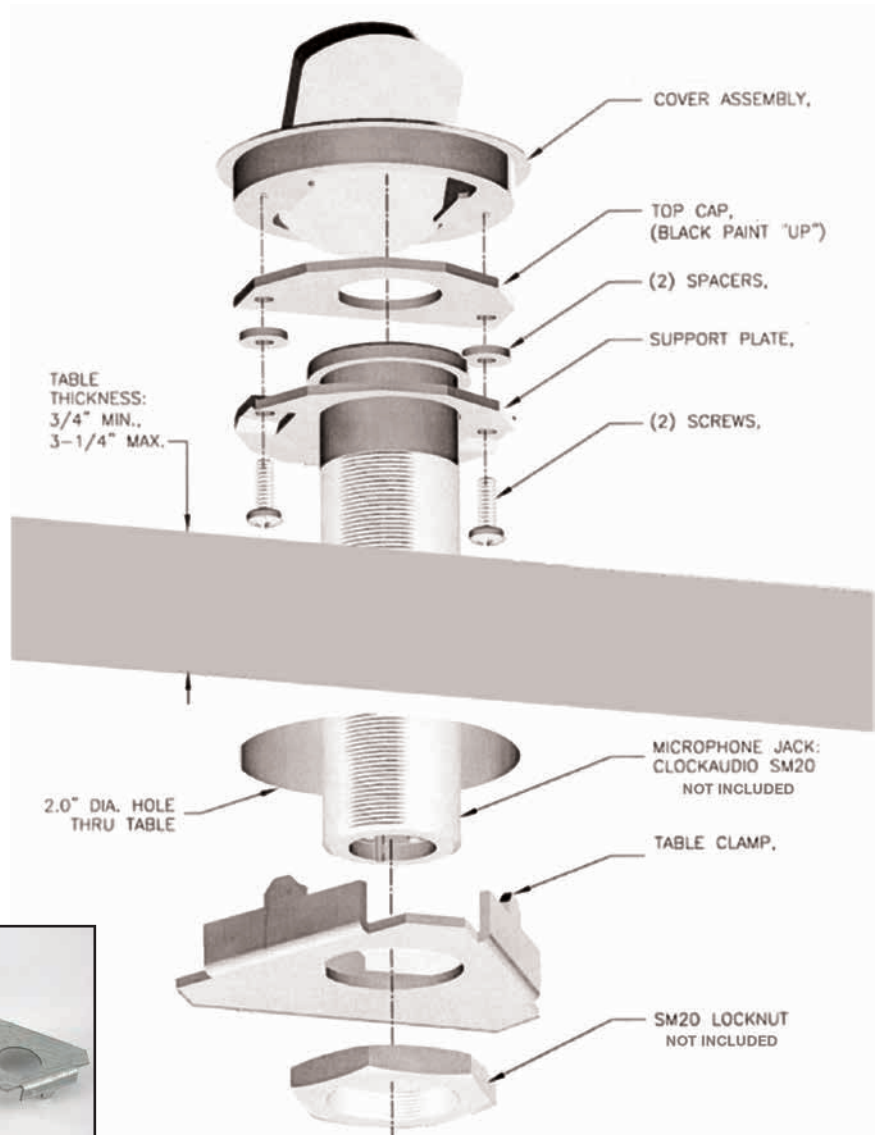
Clear

Brass Clear Lacquer

Thickness — .312"

Inner Diameter — 1.975"

Outer Diameter — 2.175"



Parts Included



T3-CLCK SM20 MOUNTING INSTRUCTIONS

NOTE: Perform SM-20 or SM-20-RF switch settings *BEFORE* installing it into the T3-CLCK-SM20 Mount. Verify that the table surface thickness is between 3/4" and 3 1/4", and that there is adequate clearance below the mounted assembly for the XLR connector and cable.

Drill a 2" diameter hole in the table in the desired mounting location. Insert the SM20 or SM-20-RF Microphone Mount into the T3-CLCK support plate and fasten to the top cap and cover assembly using the two screws and spacers provided. Use the illustration above to confirm proper parts placement and orientation. Place the assembled T3-CLCK-SM20 into the 2" hole in the table surface and use the table clamp and locknut to secure to the table.

Specifications are subject to change without notice.



244 Bergen Boulevard, Woodland Park, NJ 07424
Phone: 973.785.4347 · Fax: 973.785.4207 · Web: www.fsrinc.com · E-mail: sales@fsrinc.com

