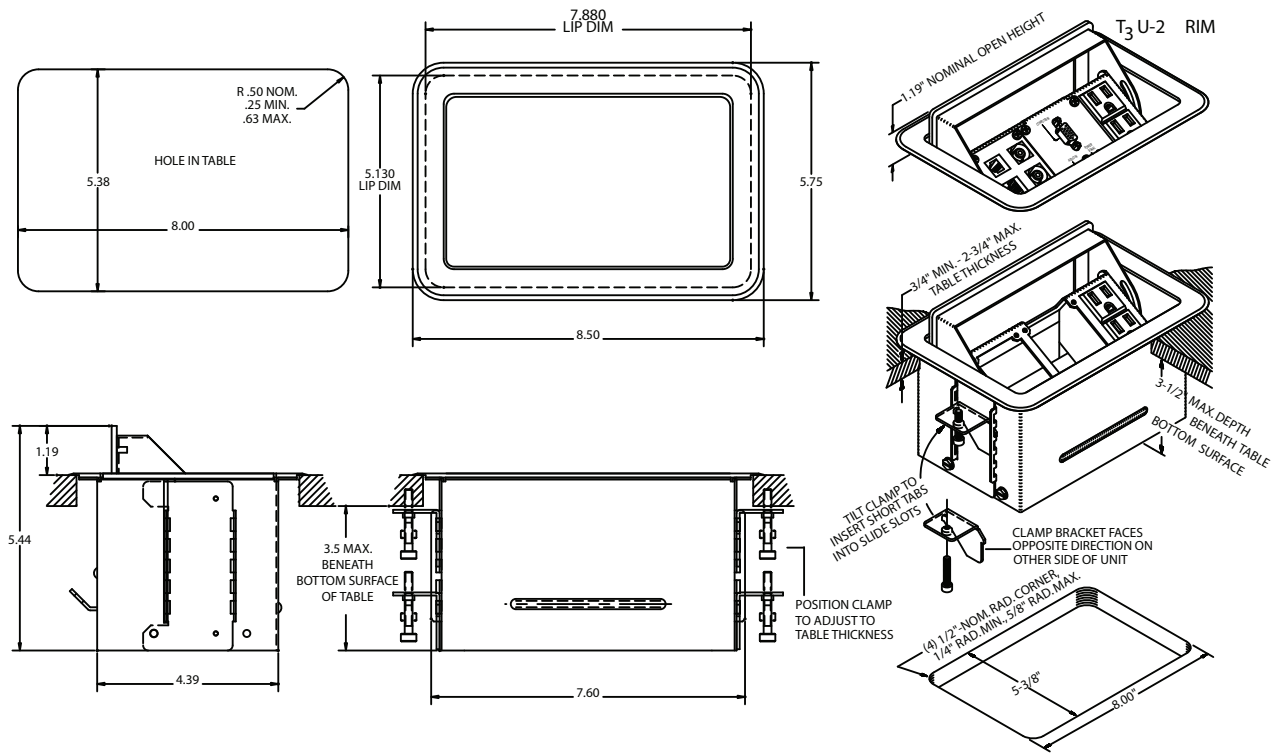


**TYPICAL INSTALLATION FOR ALL T3U TABLE BOXES**



NOTE: T3U-1 and T3U-2 models have a 6' NEMA 5-15 SJ cordset.  
The T3U-3 model has a 9' NEMA 5-20 SJ cordset.

**SIMILAR FSR PRODUCT OFFERINGS**

The T3-AC2 and T3-PC1D are perfect table boxes for single users, where convenient access to network drops, ac power sources and video/audio displays are required. The small footprint provides an unobtrusive complement to any decor.



**T3-AC2**



**T3-PC1D**



244 Bergen Boulevard, Woodland Park, NJ 07424  
Phone: 973.785.4347 · Fax: 973.785.4207  
Web: www.fsrinc.com · E-mail: sales@fsrinc.com



Specifications are subject to change without notice.



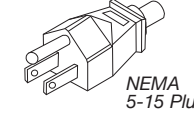
**T3U Rim Series  
Table Top Tilt Up Boxes**



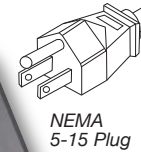
205 Westwood Ave, Long Branch, NJ 07740  
Phone: 866-94 BOARDS (26273) / (732)-222-1511  
Fax: (732)-222-7088 | E-mail: sales@touchboards.com



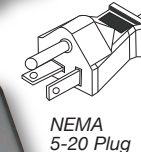
**T3U-1R-BRS**  
(Shown with accessory plates and connectors.)



**T3U-2R-BLK**



**T3U-3R-BLK**  
(Shown with accessory plates and connectors.)



**Introducing FSR's expanded line of table box solutions...**

The T3U RIM Series (Table Top Tilt Up) table boxes.

Designed expressly for applications requiring multiple access boxes within the same table, the FSR T3U RIM Series handles data, power, and AV connections in a low profile box.

You can match almost any decor with the T3U RIM Series cover finish selection. Colors include Black, brushed Brass or brushed Nickel. The T3U RIM Series easily installs in any table surface with thickness ranging from a minimum .75" to a maximum of 2.75". In the open position, the T3U RIM Series cover protrudes a mere 1.19" from the table top. Under the table, the T3U RIM Series extends only 4.25" from the table top surface.

The FSR T3U RIM Series offer a variety of connection schemes through the use of interchangeable snap in connectors and mounting plates. This allows the plates to be populated by the installer and can be changed as the need arises. FSR offers a complete line of connectors and plates to satisfy most installation requirements. (See options on the following pages).

NOTE: T3U-1 and T3U-2 models have a 6' NEMA 5-15 SJ cordset. The T3U-3 model has a 9' NEMA 5-20 SJ cordset.

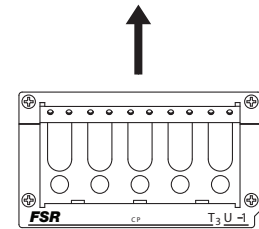
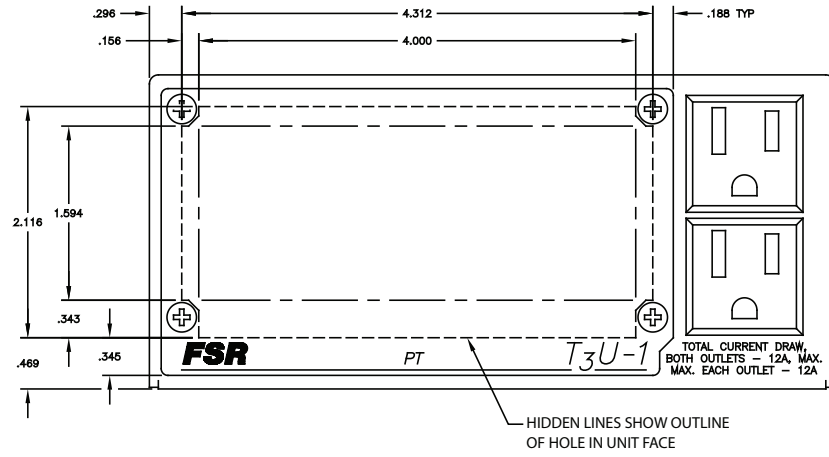
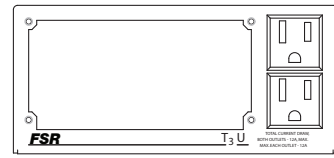
**FSR Inc.**

244 Bergen Boulevard, Woodland Park, NJ 07424  
Phone: 973.785.4347 · Fax: 973.785.420  
Web: www.fsrinc.com · E-mail: sales@fsrinc.com

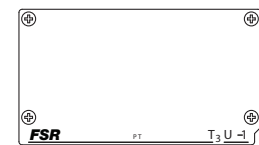


**T3U-1**

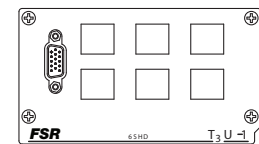
**T3U-1**  
Connector Plate View



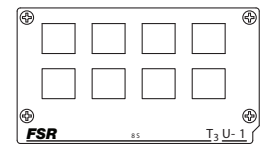
T3U-1-CP



T3U-1-PT



T3U-1-6SHD

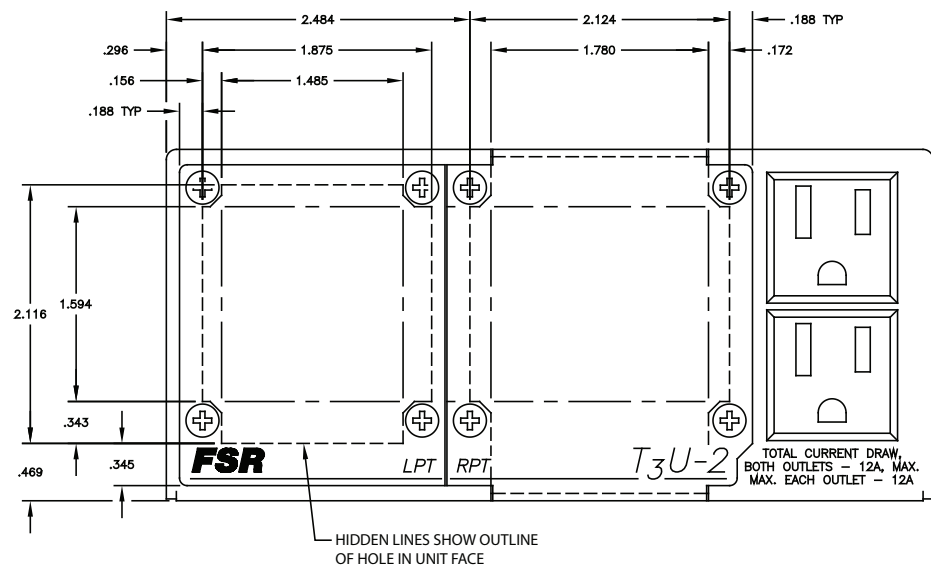


T3U-1-8S

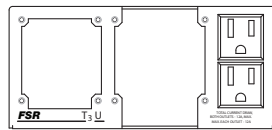


205 Westwood Ave, Long Branch, NJ 07740  
Phone: 866-94 BOARDS (26273) / (732)-222-1511  
Fax: (732)-222-7088 | E-mail: sales@touchboards.com

**T3U-2**

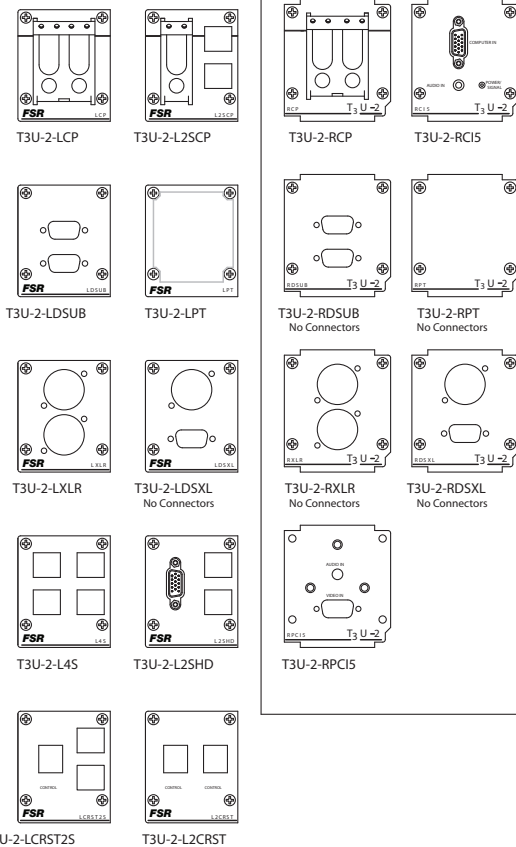


**T3U-2**  
Connector Plate View



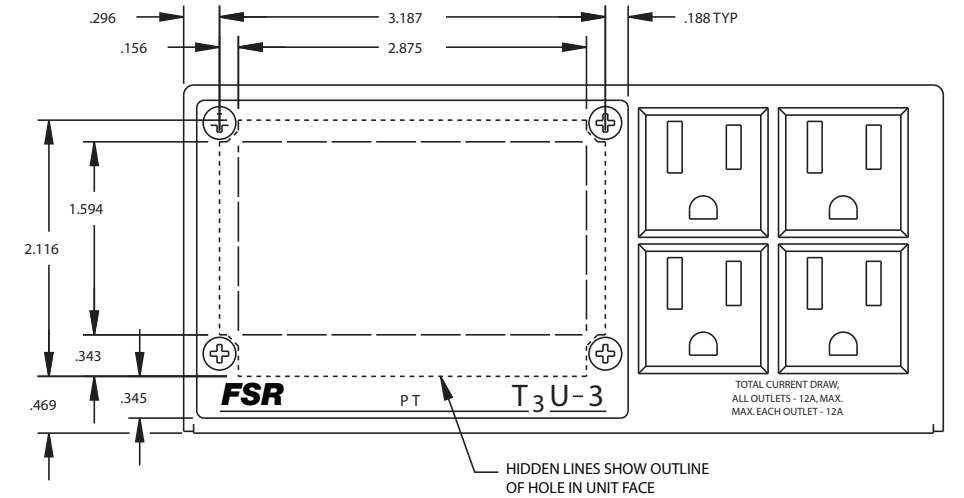
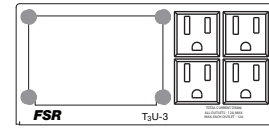
Left Plate Options

Right Plate Options



**T3U-3**

**T3U-3**  
Connector Plate View



T3U-3-4SHD

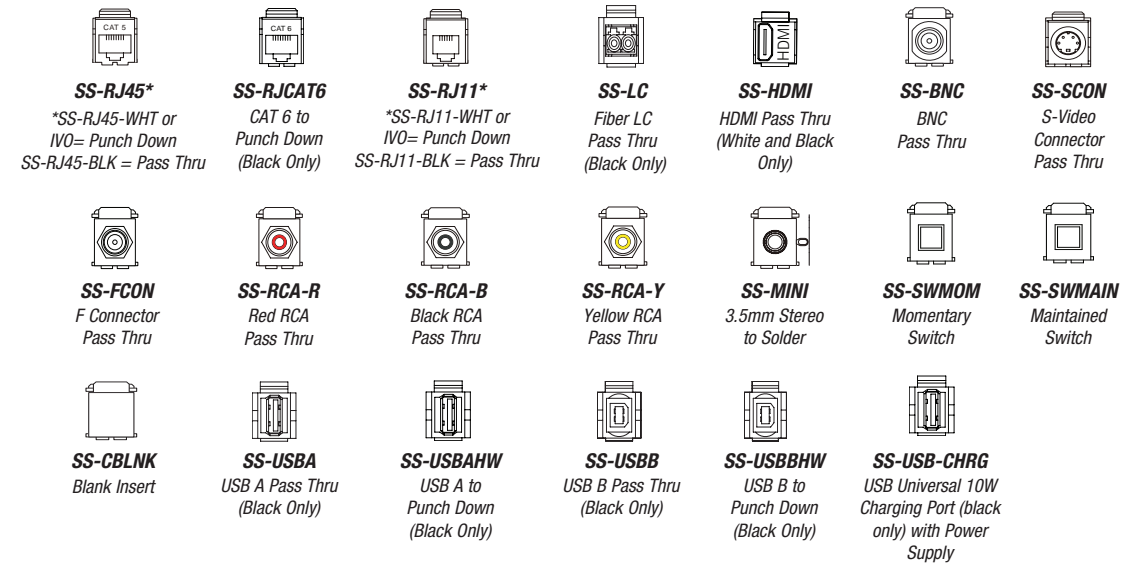


T3U-3-6S

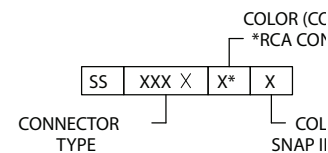


T3U-3-PT

**SNAP IN CONNECTORS AVAILABLE (ALL MODELS)**



**SNAP IN CONNECTOR ORDERING DETAIL**



**ORDERING INFORMATION**

MODEL	FINISH	ACCEPTS (see connector plate view)
T3U-1R-BLK	BLACK	ONE T3U-1 CONNECTOR PLATE
T3U-1R-BRS	BRUSHED BRASS	ONE T3U-1 CONNECTOR PLATE
T3U-1R-NKL	BRUSHED NICKEL	ONE T3U-1 CONNECTOR PLATE
T3U-2R-BLK	BLACK	ONE SET OF T3U-2 LEFT AND RIGHT CONNECTOR PLATES
T3U-2R-BRS	BRUSHED BRASS	ONE SET OF T3U-2 LEFT AND RIGHT CONNECTOR PLATES
T3U-2R-NKL	BRUSHED NICKEL	ONE SET OF T3U-2 LEFT AND RIGHT CONNECTOR PLATES
T3U-3R-BLK	BLACK	ONE T3U-3 CONNECTOR PLATE
T3U-3R-BRS	BRUSHED BRASS	ONE T3U-3 CONNECTOR PLATE
T3U-3R-NKL	BRUSHED NICKEL	ONE T3U-3 CONNECTOR PLATE