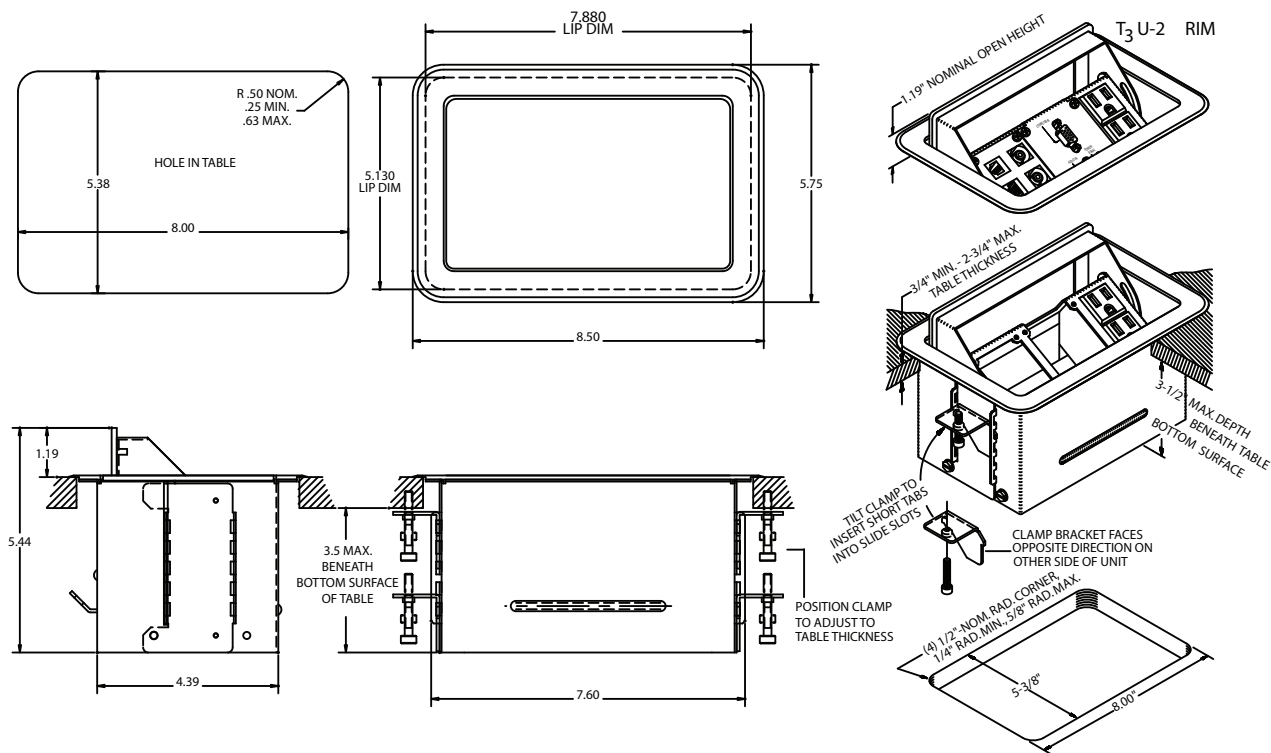


TYPICAL INSTALLATION FOR ALL T3U TABLE BOXES



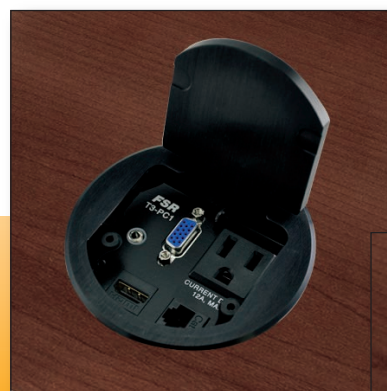
NOTE: T3U-1 and T3U-2 models have a 6' NEMA 5-15 SJ cordset.
The T3U-3 model has a 9' NEMA 5-20 SJ cordset.

SIMILAR FSR PRODUCT OFFERINGS

The T3-AC2 and T3-PC1D are perfect table boxes for single users, where convenient access to network drops, ac power sources and video/audio displays are required. The small footprint provides an unobtrusive complement to any decor.



T3-AC2



T3-PC1D



Specifications are subject to change without notice.



244 Bergen Boulevard, Woodland Park, NJ 07424
Phone: 973.785.4347 · Fax: 973.785.4207
Web: www.fsrinc.com · E-mail: sales@fsrinc.com

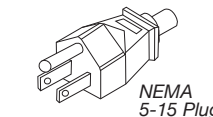
**T3U Rim Series
Table Top Tilt Up Boxes**



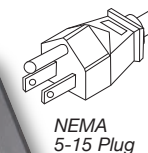
Metal Products Group



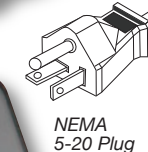
205 Westwood Ave, Long Branch, NJ 07740
Phone: 866-94 BOARDS (26273) / (732)-222-1511
Fax: (732)-222-7088 | E-mail: sales@touchboards.com



T3U-1R-BRS
(Shown with accessory plates and connectors.)



T3U-2R-BLK



T3U-3R-BLK
(Shown with accessory plates and connectors.)

Introducing FSR's expanded line of table box solutions...

The T3U RIM Series (Table Top Tilt Up) table boxes.

Designed expressly for applications requiring multiple access boxes within the same table, the FSR T3U RIM Series handles data, power, and AV connections in a low profile box.

You can match almost any decor with the T3U RIM Series cover finish selection. Colors include Black, brushed Brass or brushed Nickel. The T3U RIM Series easily installs in any table surface with thickness ranging from a minimum .75" to a maximum of 2.75". In the open position, the T3U RIM Series cover protrudes a mere 1.19" from the table top. Under the table, the T3U RIM Series extends only 4.25" from the table top surface.

The FSR T3U RIM Series offer a variety of connection schemes through the use of interchangeable snap in connectors and mounting plates. This allows the plates to be populated by the installer and can be changed as the need arises. FSR offers a complete line of connectors and plates to satisfy most installation requirements. (See options on the following pages).

NOTE: T3U-1 and T3U-2 models have a 6' NEMA 5-15 SJ cordset. The T3U-3 model has a 9' NEMA 5-20 SJ cordset.

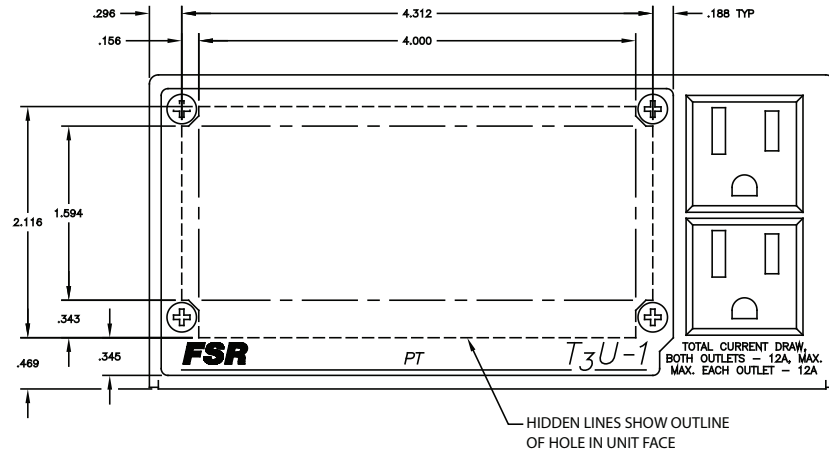
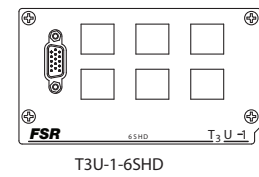
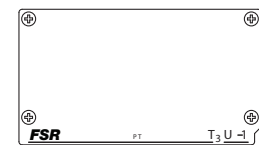
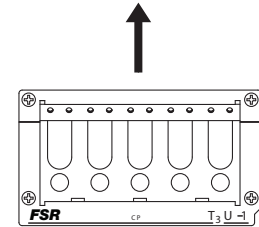
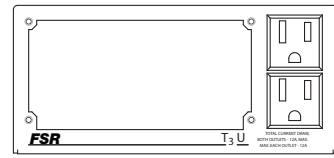
FSR Inc.

244 Bergen Boulevard, Woodland Park, NJ 07424
Phone: 973.785.4347 · Fax: 973.785.420
Web: www.fsrinc.com · E-mail: sales@fsrinc.com

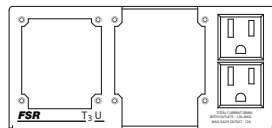


T3U-1

T3U-1
Connector Plate View

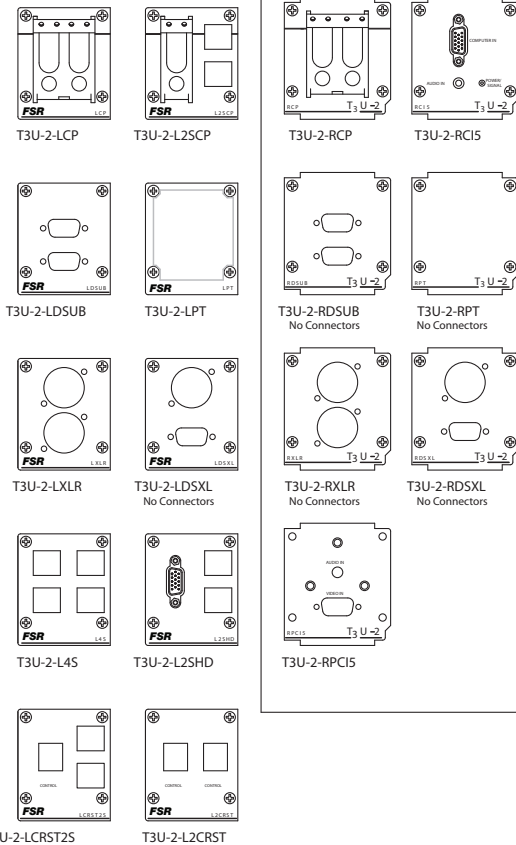


T3U-2
Connector Plate View

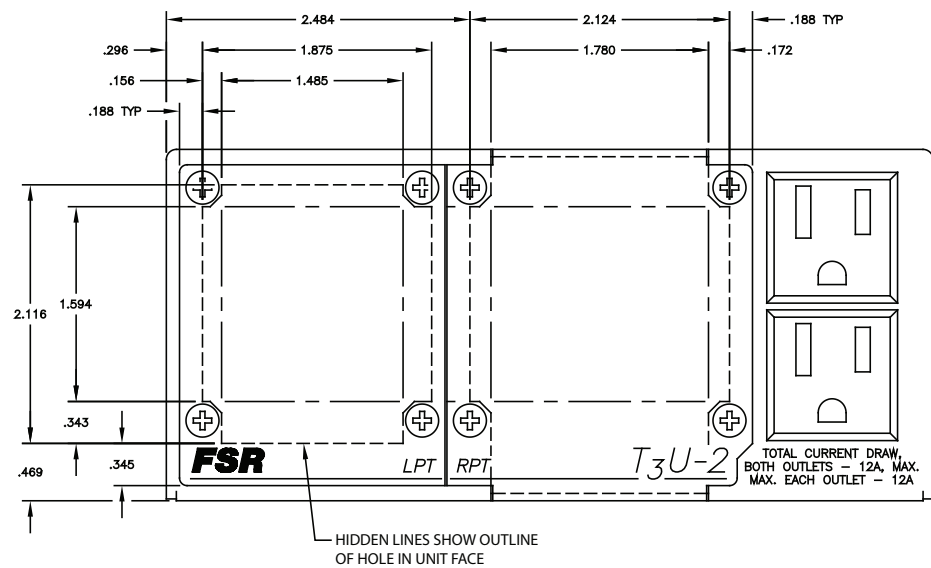


Left Plate Options

Right Plate Options

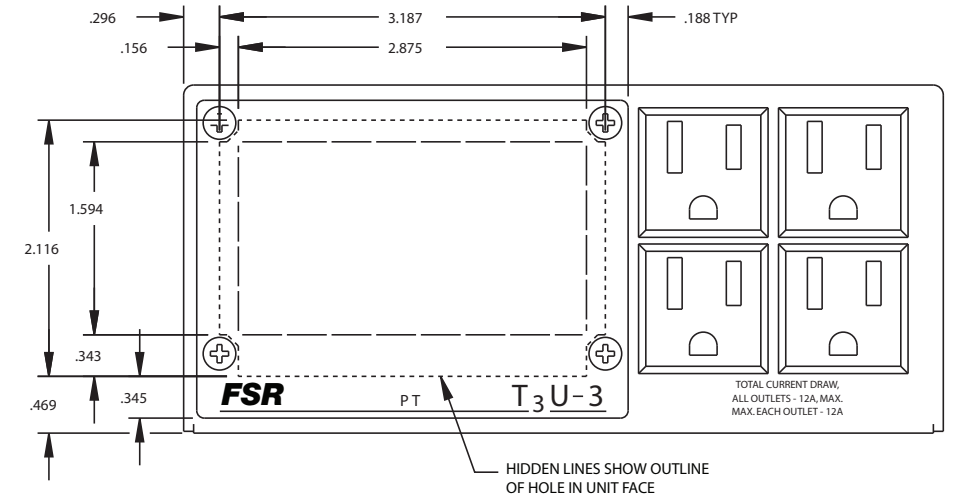
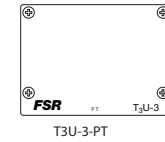
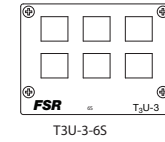
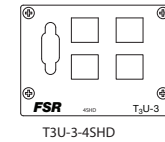
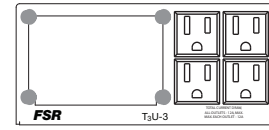


T3U-2



T3U-3

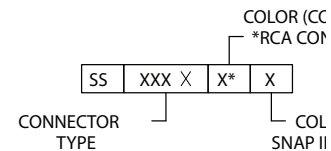
T3U-3
Connector Plate View



SNAP IN CONNECTORS AVAILABLE (ALL MODELS)

 SS-RJ45* *SS-RJ45-WHT or IVO= Punch Down SS-RJ45-BLK = Pass Thru	 SS-RJCAT6 CAT 6 to Punch Down (Black Only)	 SS-RJ11* *SS-RJ11-WHT or IVO= Punch Down SS-RJ11-BLK = Pass Thru	 SS-LC Fiber LC Pass Thru (Black Only)	 SS-HDMI HDMI Pass Thru (White and Black Only)	 SS-BNC BNC Pass Thru	 SS-SCON S-Video Connector Pass Thru
 SS-FCON F Connector Pass Thru	 SS-RCA-R Red RCA Pass Thru	 SS-RCA-B Black RCA Pass Thru	 SS-RCA-Y Yellow RCA Pass Thru	 SS-MINI 3.5mm Stereo to Solder	 SS-SWMOM Momentary Switch	 SS-SWMAIN Maintained Switch
 SS-CBLNK Blank Insert	 SS-USBA USB A Pass Thru (Black Only)	 SS-USBAHW USB A to Punch Down (Black Only)	 SS-USBB USB B Pass Thru (Black Only)	 SS-USBBHW USB B to Punch Down (Black Only)	 SS-USB-CHRG USB Universal 10W Charging Port (black only) with Power Supply	

SNAP IN CONNECTOR ORDERING DETAIL



ORDERING INFORMATION

MODEL	FINISH	ACCEPTS (see connector plate view)
T3U-1R-BLK	BLACK	ONE T3U-1 CONNECTOR PLATE
T3U-1R-BRS	BRUSHED BRASS	ONE T3U-1 CONNECTOR PLATE
T3U-1R-NKL	BRUSHED NICKEL	ONE T3U-1 CONNECTOR PLATE
T3U-2R-BLK	BLACK	ONE SET OF T3U-2 LEFT AND RIGHT CONNECTOR PLATES
T3U-2R-BRS	BRUSHED BRASS	ONE SET OF T3U-2 LEFT AND RIGHT CONNECTOR PLATES
T3U-2R-NKL	BRUSHED NICKEL	ONE SET OF T3U-2 LEFT AND RIGHT CONNECTOR PLATES
T3U-3R-BLK	BLACK	ONE T3U-3 CONNECTOR PLATE
T3U-3R-BRS	BRUSHED BRASS	ONE T3U-3 CONNECTOR PLATE
T3U-3R-NKL	BRUSHED NICKEL	ONE T3U-3 CONNECTOR PLATE