

4

3

2

1

SNAP-IN CONNECTOR
(SOLD SEPARATELY)

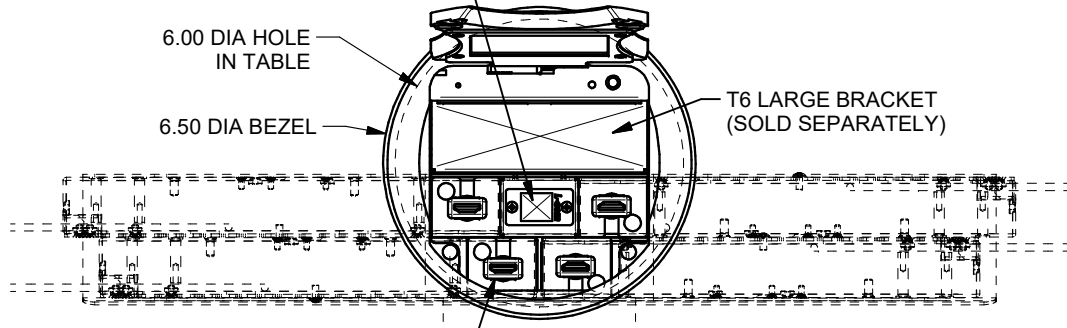
**CAUTION: IF DESK/TABLE IS LESS THAN MINIMUM THICKNESS SPECIFICATION,
SPACERS MUST BE FABRICATED AND USED, OR SCREEN DAMAGE
MAY RESULT.**

6.00 DIA HOLE
IN TABLE

6.50 DIA BEZEL

T6 LARGE BRACKET
(SOLD SEPARATELY)

- * MINIMUM THICKNESS FOR ALL LP RETRACTORS EXCEPT FOR DISPLAY PORT: 1-1/8"
- * MINIMUM THICKNESS FOR DISPLAY PORT LP RETRACTOR: 1-1/2"



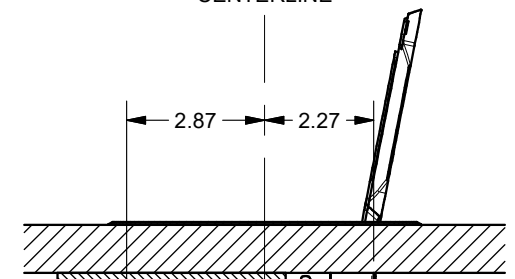
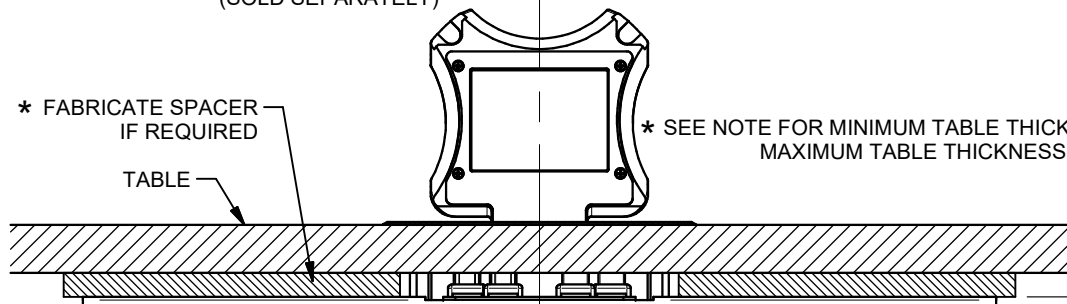
(4) CABLE RETRACTOR
(SOLD SEPARATELY)

* FABRICATE SPACER
IF REQUIRED

* SEE NOTE FOR MINIMUM TABLE THICKNESS
MAXIMUM TABLE THICKNESS 2-3/4"

TABLE

6" HOLE
CENTERLINE



5.53

10.25

9.91

9.91

19.82

FSR inc.
244 BERGEN BLVD.
WOODLAND PARK, NJ 07424
TEL (973) 785-4347
FAX (973) 785-3318

TITLE: LP-T6-FLEX		
DRAWN BY: JRE	DATE: 10/02/17	REV: -
DWG#: LP-T6-FLEX	SCALE: -	

4

3

2

1

C

C

B

B

A

A