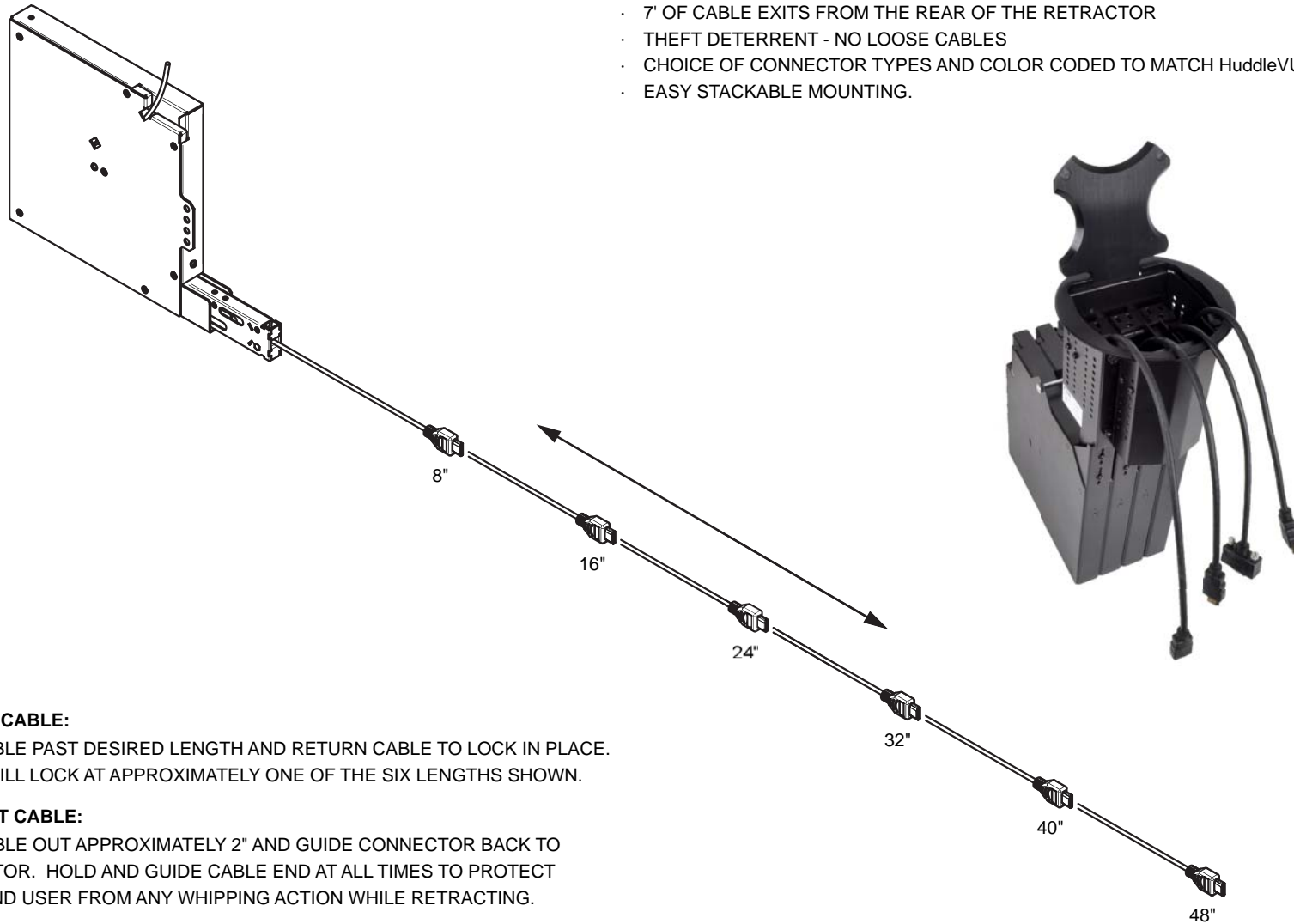


- EASY USER ACCESS
- 4' OF CABLE PAYS OUT FROM THE TOP OF THE RETRACTOR
- 7' OF CABLE EXITS FROM THE REAR OF THE RETRACTOR
- THEFT DETERRENT - NO LOOSE CABLES
- CHOICE OF CONNECTOR TYPES AND COLOR CODED TO MATCH HuddleVU SYSTEMS
- EASY STACKABLE MOUNTING.



TO EXTEND CABLE:

PULL CABLE PAST DESIRED LENGTH AND RETURN CABLE TO LOCK IN PLACE. CABLE WILL LOCK AT APPROXIMATELY ONE OF THE SIX LENGTHS SHOWN.

TO RETRACT CABLE:

PULL CABLE OUT APPROXIMATELY 2\" AND GUIDE CONNECTOR BACK TO RETRACTOR. HOLD AND GUIDE CABLE END AT ALL TIMES TO PROTECT TABLE AND USER FROM ANY WHIPPING ACTION WHILE RETRACTING.

SEE INSTRUCTIONS FOR TBRT MOUNTING BRACKETS FOR INSTALLATION DETAILS.