

TN-2105EQA

Table Navigator

Computer Switcher with Audio

FSR

Video Products Group

TN-2105EQA



Touchboards

205 Westwood Ave, Long Branch, NJ 07740
 Phone: 866-94 BOARDS (26273) / (732)-222-1511
 Fax: (732)-222-7088 | E-mail: sales@touchboards.com

FEATURES:

The Table Navigator, from FSR, is the perfect solution for the classroom, church or boardroom where 2 computer and audio inputs need to be switched and sent over 35 feet.

Computer video signals quickly lose color and clarity after about 25 feet. In addition, audio signals easily pick up noise if they are not balanced. The Table Navigator solves both of these problems and more in one easy to install package.

The Table Navigator combines an A/B auto switch, an ultra high bandwidth line driver and an active audio balancer into one easy to install package. The unit also features user selectable cable equalization, a fully buffered local monitor output, remote switch operation via a contact closure and greater than 400MHz of bandwidth.

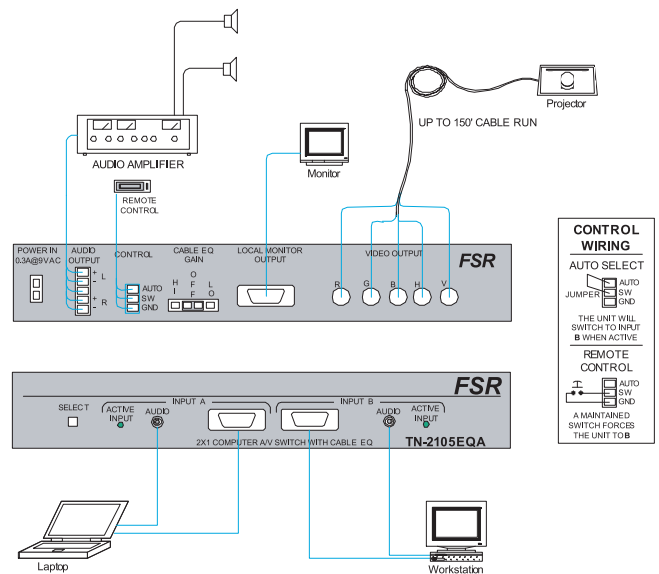
The Table Navigator may be mounted under a table, podium or shelf with the included mounting bracket. An optional rack kit allows it to be mounted in a standard 19" rack.

If the Table Navigator is mounted under a table or in a podium or lectern, easy access to the video and audio inputs can be achieved by using the T3U-2 Table Box. There are several options available to establish the connection including a convenient "Cable Pull" where all of the necessary cables pull out of the table box to attach to a notebook or similar device.

APPLICATIONS:

- Boardrooms
- Education
- Training Rooms
- Rentals
- Staging Events
- Conference Centers
- Houses of Worship

TN-2105EQA COMPUTER A/V LINE DRIVER TYPICAL APPLICATIONS



FSR Inc.

244 Bergen Boulevard, Woodland Park, NJ 07424
 Phone: 973.785.4347 · Fax: 973.785.4207

Order Desk: 1-800-332-FSR1

Web: www.fsrinc.com · E-mail: sales@fsrinc.com LIT1225

TECHNICAL SPECIFICATIONS

VIDEO INPUT

Number/type: 2 VGA / SVGA / XGA / SXGA / UXGA / RGBHV / RGBS / RGsB / RsGsBs
Connectors: Two 15 pin HD female
Level (nominal): Analog 0.7 Vp-p
Level (maximum): 2 Vp-p
Impedance: 75 ohms

EQUALIZED VIDEO OUTPUT

Number/type: 1 VGA / SVGA / XGA / SXGA / UXGA / RGBHV / RGBS / RGsB / RsGsBs
Connectors: 5 female BNC's (RGBHV)
Bandwidth: 400 MHz @ -3 dB
100' cable 180 MHz @ +/-0.5dB, Gain LOW
150' cable 150 MHz @ +/-0.5dB, Gain HIGH
Level (nominal): Unity / User adjustable via HI / LOW / OFF Jumper
Gain: HI = 125' to 175', LOW = 60' to 125', OFF = 0' to 60'
Impedance: 75 ohms
Design Cable: West Penn WP8255 or any cable having similar attenuation characteristics

LOCAL VIDEO OUTPUT

Number/type: 1 VGA / SVGA / XGA / SXGA / UXGA / RGBHV / RGBS / RGsB / RsGsBs
Connectors: One 15 pin HD female
Bandwidth: 320MHz @ -3dB
Gain: Unity (buffered)
Impedance: 75 ohms

AUDIO

Bandwidth: 20 Hz to 20 kHz (+/-0.05 dB)
THD + Noise: 0.01% @ 20 kHz at rated
Max Output S/N >98 dB
Noise Floor: < 98 dB
Stereo separation: -90 dB @ 1 kHz

AUDIO INPUT

Number/type: 2 stereo unbalanced
Connectors: 3.5mm stereo mini connector
Impedance: 10K Ohms unbalanced
Max level: +6 dBm

AUDIO OUTPUT

Number/type: 1 Balanced Stereo (may be used in unbalanced configuration)
Connector: 5 Position mini Phoenix
Impedance: 50 ohms
Maximum Level: 600 ohms: +12 dBm Balanced / +6 dBm Unbalanced
Hi - Z: +14 dBm Balanced / +8 dBm Unbalanced

SYNC

Input level: 2.0 Vp-p to 5.0 Vp-p
Output level: 5.0 Vp-p into Hi-Z,
2.5 Vp-p into 75 ohm
Input Impedance: 475 ohms
Output impedance: 75 ohms
Polarity: Positive or negative
Horizontal frequency: 15 kHz - 200 kHz
Vertical frequency: 30 Hz - 150 Hz

POWER

Power: 9 VAC / DC, 50/60 Hz: 8 - 14 VDC,
9 VAC Power Supply included.
Mounting: 1/2 rack or under table (includes under table brackets, 1/2 rack mount ordered separately.
Enclosure Type: Metal
Size: 8.5" W x 5.5" D x 1.5" H
Approvals: UL / CE

CONTROL

Automatic operation: Detects signal on "B" channel (jumper "AUTO" to "SW" on control connector)
Remote control: Control system or push-button Switch (maintained closure between "SW" and "GND" on control connector)
Front panel: Momentary push-button Switch
Connectors: 3 Position pluggable screw terminal

FSR Inc.

244 Bergen Boulevard, Woodland Park, NJ 07424
Phone: 973.785.4347 · Fax: 973.785.4207 · Order Desk: 1-800-332-FSR1
Web: www.fsrinc.com · E-mail: sales@fsrinc.com



Specifications are subject to change without notice