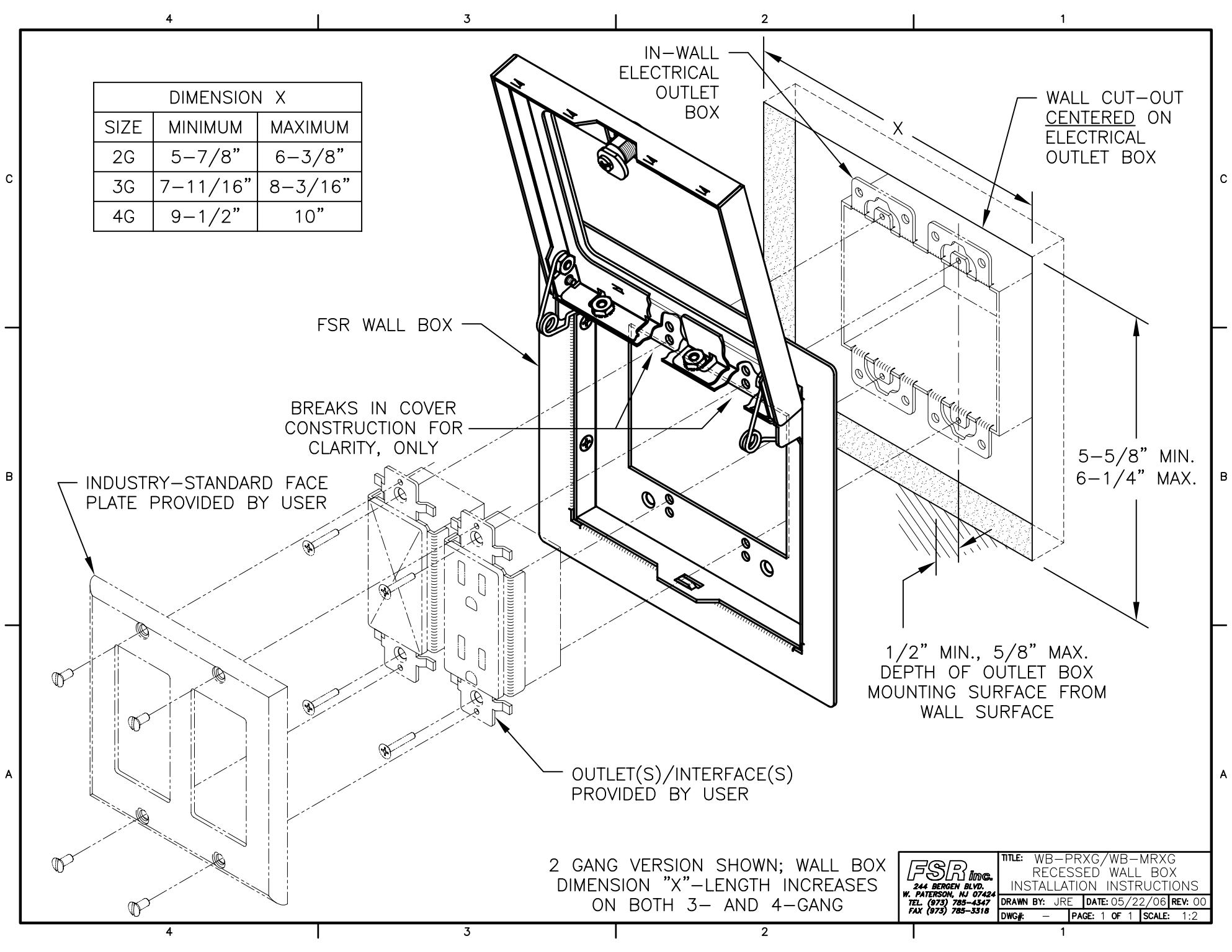
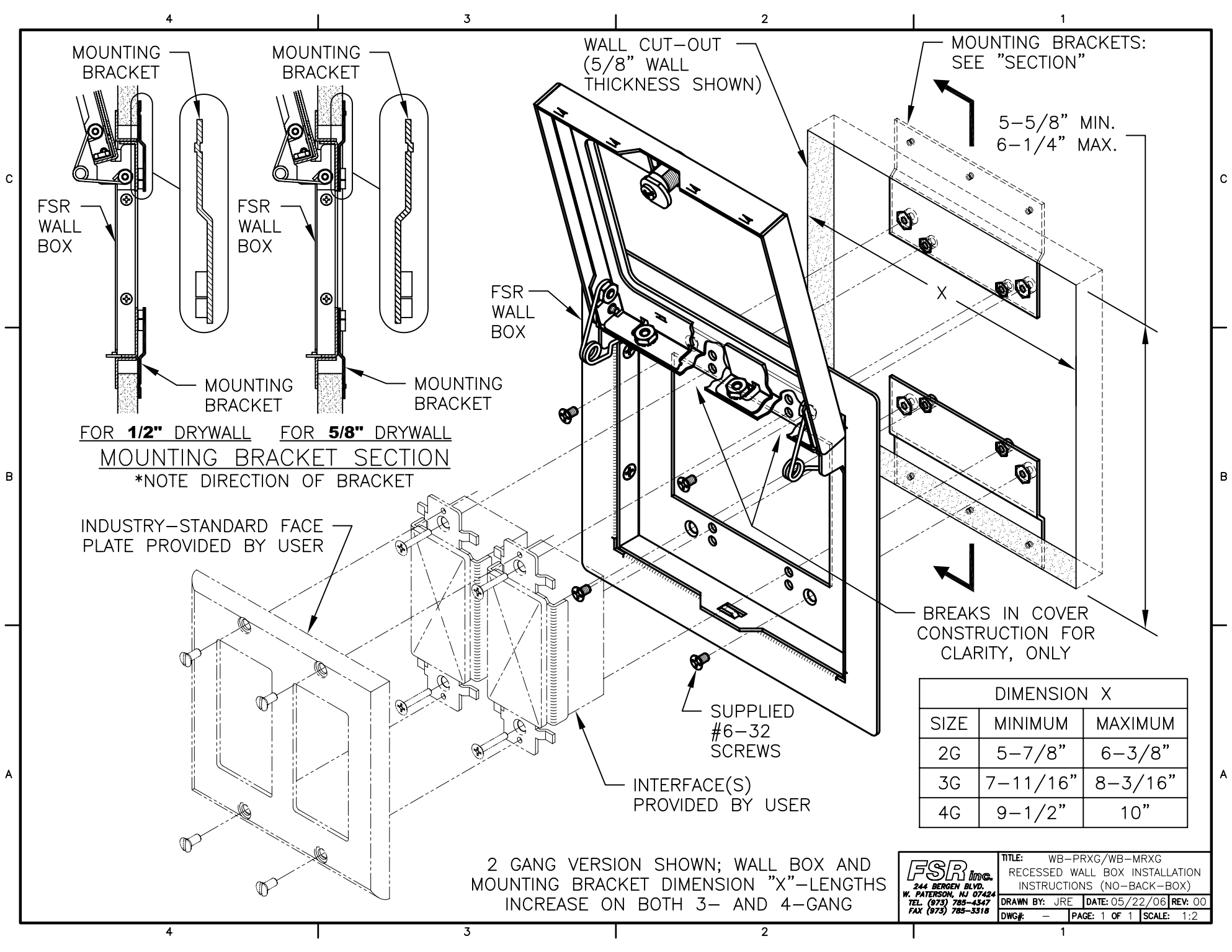


DIMENSION X		
SIZE	MINIMUM	MAXIMUM
2G	5-7/8"	6-3/8"
3G	7-11/16"	8-3/16"
4G	9-1/2"	10"



2 GANG VERSION SHOWN; WALL BOX DIMENSION "X"—LENGTH INCREASES ON BOTH 3- AND 4-GANG

<p>FSR <i>INC.</i> 244 BERGEN BLVD. W. PATERSON, NJ 07424 TEL. (973) 785-4347 FAX (973) 785-3318</p>	<p>TITLE: WB-PRXG/WB-MRXG RECESSED WALL BOX INSTALLATION INSTRUCTIONS</p>		
	<p>DRAWN BY: JRE</p>	<p>DATE: 05/22/06</p>	<p>REV: 00</p>
	<p>DWG#: -</p>	<p>PAGE: 1 OF 1</p>	<p>SCALE: 1:2</p>



WALL CUT-OUT
(5/8" WALL
THICKNESS SHOWN)

MOUNTING BRACKETS:
SEE "SECTION"

5-5/8" MIN.
6-1/4" MAX.

MOUNTING
BRACKET

MOUNTING
BRACKET

FSR
WALL
BOX

FSR
WALL
BOX

FSR
WALL
BOX

MOUNTING
BRACKET

MOUNTING
BRACKET

FOR 1/2" DRYWALL FOR 5/8" DRYWALL
MOUNTING BRACKET SECTION

*NOTE DIRECTION OF BRACKET

INDUSTRY-STANDARD FACE
PLATE PROVIDED BY USER

SUPPLIED
#6-32
SCREWS

INTERFACE(S)
PROVIDED BY USER

BREAKS IN COVER
CONSTRUCTION FOR
CLARITY, ONLY

DIMENSION X		
SIZE	MINIMUM	MAXIMUM
2G	5-7/8"	6-3/8"
3G	7-11/16"	8-3/16"
4G	9-1/2"	10"

2 GANG VERSION SHOWN; WALL BOX AND
MOUNTING BRACKET DIMENSION "X"-LENGTHS
INCREASE ON BOTH 3- AND 4-GANG

FSR *INC.*
244 BERGEN BLVD.
W. PATERSON, NJ 07424
TEL. (973) 785-4347
FAX (973) 785-3318

TITLE: WB-PRXG/WB-MRXG
RECESSED WALL BOX INSTALLATION
INSTRUCTIONS (NO-BACK-BOX)

DRAWN BY: JRE DATE: 05/22/06 REV: 00

DWG#: - PAGE: 1 OF 1 SCALE: 1:2