

DIMENSION X		
SIZE	MINIMUM	MAXIMUM
2G	5-7/8"	6-3/8"
3G	7-11/16"	8-3/16"
4G	9-1/2"	10"

IN-WALL ELECTRICAL  
OUTLET BOX

WALL CUT-OUT CENTERED  
ON ELECTRICAL OUTLET BOX

FSR WALL BOX

INDUSTRY-STANDARD FACE  
PLATE PROVIDED BY USER

OUTLET(S)/INTERFACE(S)  
PROVIDED BY USER

1/2" MIN., 5/8" MAX.  
DEPTH OF OUTLET BOX  
INTERFACE MOUNTING  
SURFACE FROM  
WALL SURFACE

5-5/8" MIN.  
6-1/4" MAX.

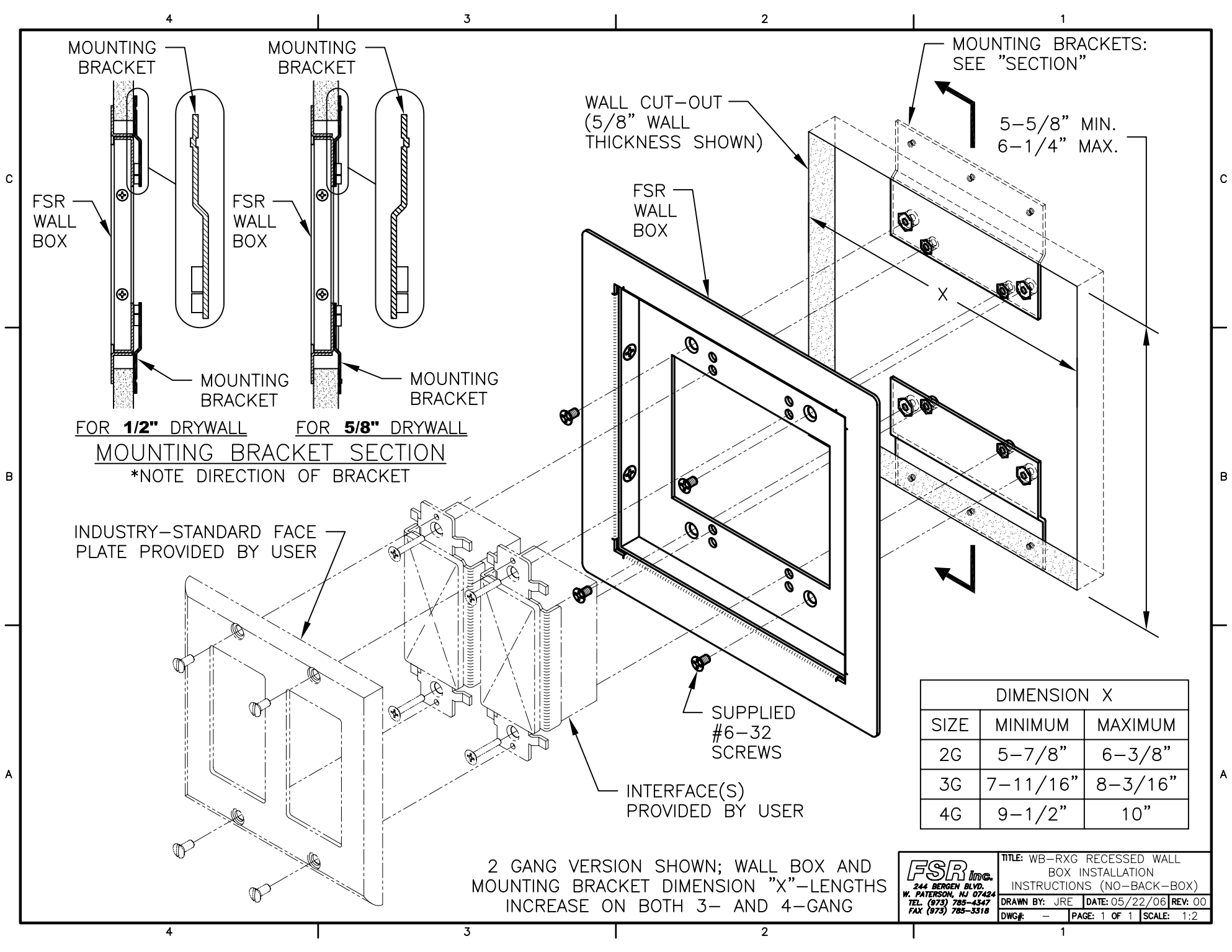
2 GANG VERSION SHOWN; WALL BOX  
DIMENSION "X"—LENGTH INCREASES  
ON BOTH 3- AND 4-GANG

**FSR** *INC.*  
244 BERGEN BLVD.  
W. PATERSON, NJ 07424  
TEL. (973) 785-4347  
FAX (973) 785-3318

TITLE: WB-RXG  
RECESSED WALL BOX  
INSTALLATION INSTRUCTIONS

DRAWN BY: JRE DATE: 05/22/06 REV: 00

DWG#: — PAGE: 1 OF 1 SCALE: 1:2



FOR 1/2" DRYWALL      FOR 5/8" DRYWALL  
**MOUNTING BRACKET SECTION**  
 \*NOTE DIRECTION OF BRACKET

DIMENSION X		
SIZE	MINIMUM	MAXIMUM
2G	5-7/8"	6-3/8"
3G	7-11/16"	8-3/16"
4G	9-1/2"	10"

2 GANG VERSION SHOWN; WALL BOX AND MOUNTING BRACKET DIMENSION "X"—LENGTHS INCREASE ON BOTH 3- AND 4-GANG

**FSR** *INC.*  
 244 BERGEN BLVD.  
 W. PATERSON, NJ 07424  
 TEL. (973) 785-4347  
 FAX (973) 785-3318

TITLE: WB-RXG RECESSED WALL BOX INSTALLATION INSTRUCTIONS (NO-BACK-BOX)  
 DRAWN BY: JRE    DATE: 05/22/06    REV: 00  
 DWG#: —    PAGE: 1 OF 1    SCALE: 1:2