

IPD Wall Mounts

Elegant & Practical Mounting for iPad® Mobile Digital Devices

FSR

Control Products Group

IPD Wall Mounts



Surface Mount

Flush Mount

SURFACE MOUNT

FSR's surface mount for iPad® mobile digital devices is the perfect solution for existing construction and installations where surface mounting is preferable.

The enclosure mounts to a standard 2-gang electrical box. The pattern of mounting holes allows the enclosure to be mounted either centered or off-center of the electrical box as well as in either the landscape or portrait position.

The 2-gang electrical box provides a place to install the PoE to USB charger to supply power to the iPad. The patented charger provides a full 10 watts of iPad mobile digital device compatible power to ensure uninterrupted service.

The cover features rounded corners for safety and aesthetics and is held closed by recessed security screws deterring theft.

The cover is available in either an aluminum, white or black finish and with or without access to the Home button and camera to support the specific needs of the installation.

The enclosure is available for the iPad 2, the New iPad or iPad Mini mobile digital devices.

FLUSH MOUNT

The flush mount enclosure is perfect for new construction or installations where housing the iPad within the wall is desired.

The enclosure mounts within a standard 3" or 4" wall and houses the iPad in either the portrait or landscape position. The cover can be ordered with or without access to the Home button and camera to support the specific needs of the installation.

The enclosure has a space to hold FSR's patented PoE to USB charger. This charger provides a full 10 watts of iPad compatible power to ensure uninterrupted operation.

The flush mount enclosure is available in white or black finish for the iPad 2, the New iPad and the iPad Mini.

® iPad is a registered trademark of Apple Inc., registered in the US and other countries. The products contained on these pages are not endorsed by or affiliated with Apple Inc.

Touchboards

205 Westwood Ave, Long Branch, NJ 07740
Phone: 866-94 BOARDS (26273) / (732)-222-1511
Fax: (732)-222-7088 | E-mail: sales@touchboards.com

FSR Inc.

244 Bergen Boulevard, Woodland Park, NJ 07424
Phone: 973.785.4347 · Fax: 973.785.4207
Web: www.fsrinc.com · E-mail: sales@fsrinc.com

LIT1420

WALL MOUNT ORDERING OPTIONS

Surface Mount for iPad2

- WE-IPD2-SLV (Silver)**
Mounts on 2 Gang Electrical Box
- WE-IPD2-BLK (Black)**
Mounts on 2 Gang Electrical Box
- WE-IPD2-WHT (White)**
Enclosure Mounts on 2 Gang Electrical Box
- WE-IPD2NB-SLV (Silver)**
No Button Enclosure Mounts on 2 Gang Electrical Box
- WE-IPD2NB-BLK (Black)**
No Button Enclosure Mounts on 2 Gang Electrical Box
- WE-IPD2NB-WHT (White)**
No Button Enclosure Mounts on 2 Gang Electrical Box

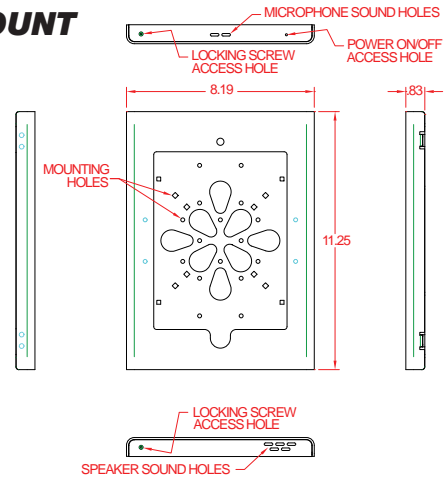
Flush Mount

- WE-FMIPD-WHT (White)**
Flush Mount w/ Back Box and Cover
- WE-FMIPD-BLK (Black)**
Flush Mount w/ Back Box and Cover
- WE-FMIPDNB-WHT (White)**
Flush Mount No Button w/ Back Box and Cover
- WE-FMIPDNB-BLK (Black)**
Flush Mount No Button w/ Back Box and Cover
- WE-FMIPDMINI-WHT (White)**
Mini Flush Mount w/ Back Box and Cover
- WE-FMIPDMINI-BLK (Black)**
Mini Flush Mount w/ Back Box and Cover
- WE-FMIPDMININB-WHT (White)**
Mini Flush Mount No Button w/ Back Box and Cover
- WE-FMIPDMININB-BLK (Black)**
Mini Flush Mount No Button w/ Back Box and Cover

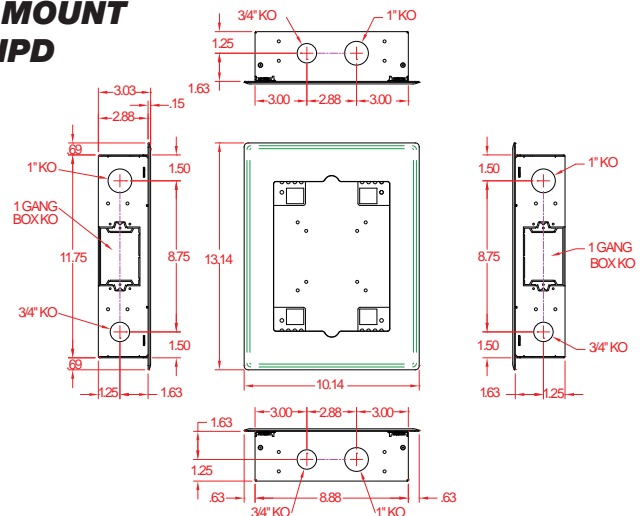
Charging Solutions

- IT-CHRG-P2U**
POE to USB Charger Universal USB Charger
- IT-WPCHRG-P2U (White, Black or Ivory)**
Wall plate POE to USB Universal USB Charger
- IT-USB-CHRG (Black only)**
Wall plate DC to USB Charger
- SS-USB-CHRG (White or Black)**
Keystone DC to USB Charger
- IPS-D717S (White or Black or Ivory)**
IPS DC to USB Charger

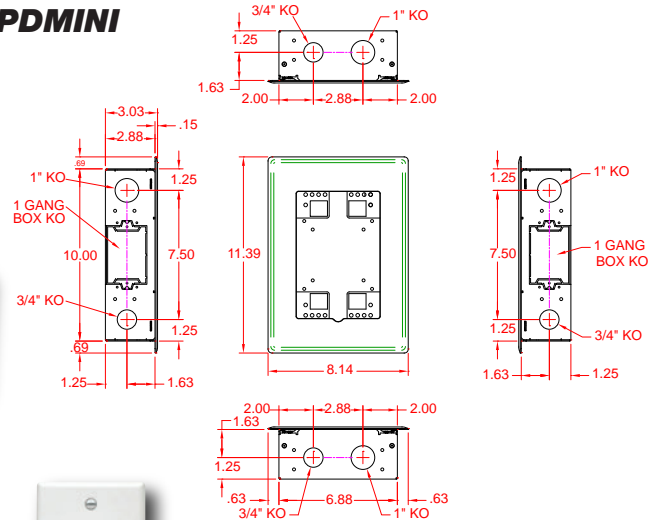
SURFACE MOUNT WE-IPD2



FLUSH MOUNT WE-FMIPD



FLUSH MOUNT WE-FMIPDMINI



IT-CHRG-P2U



IT-WPCHRG-P2U



IT-USB-CHRG



SS-USB-CHRG



IPS-D7178S

FSR Inc.

244 Bergen Boulevard, Woodland Park, NJ 07424

Phone: 973.785.4347 · Fax: 973.785.4207

Web: www.fsrinc.com · E-mail: sales@fsrinc.com

LIT1420



Specifications are subject to change without notice.