

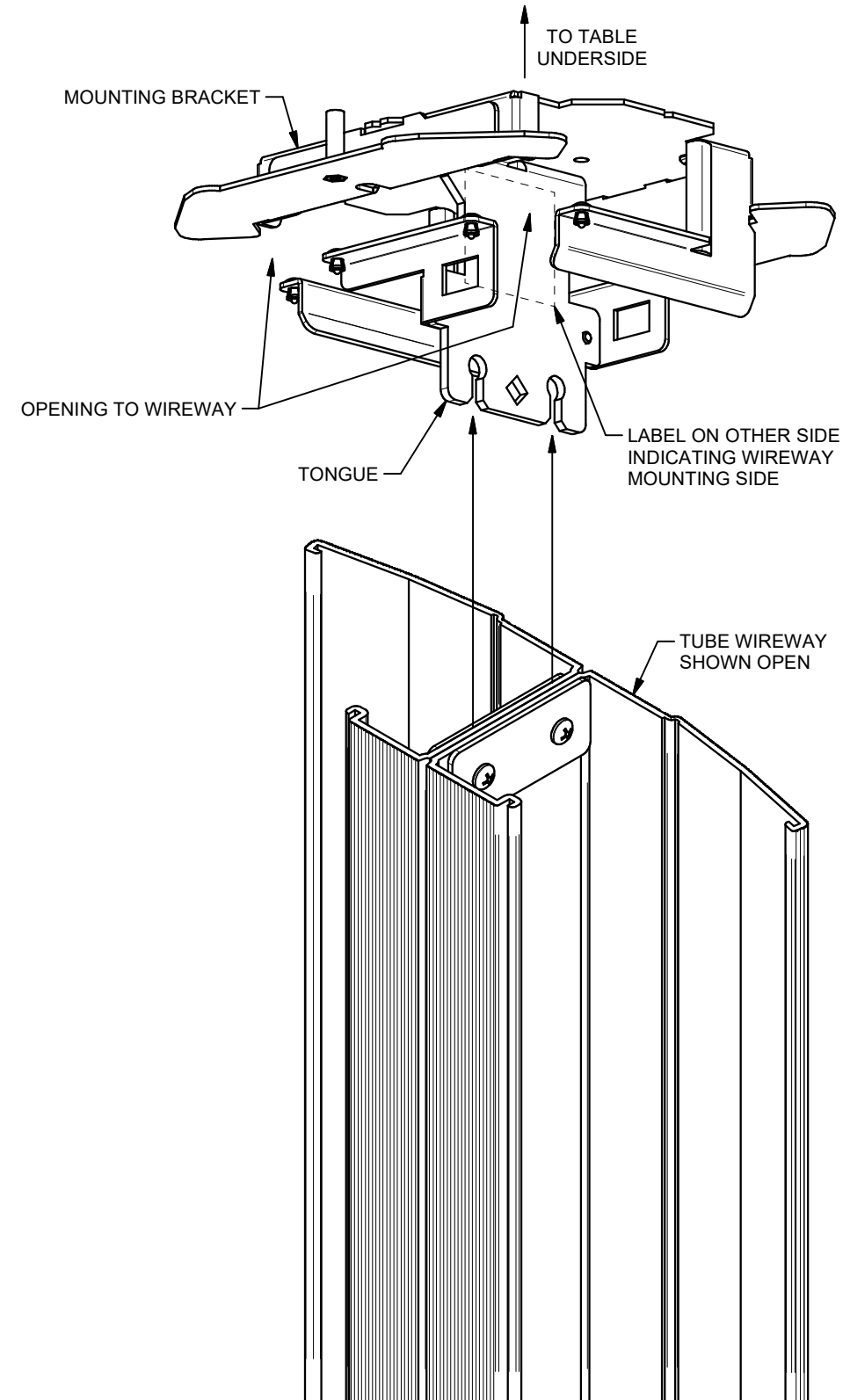
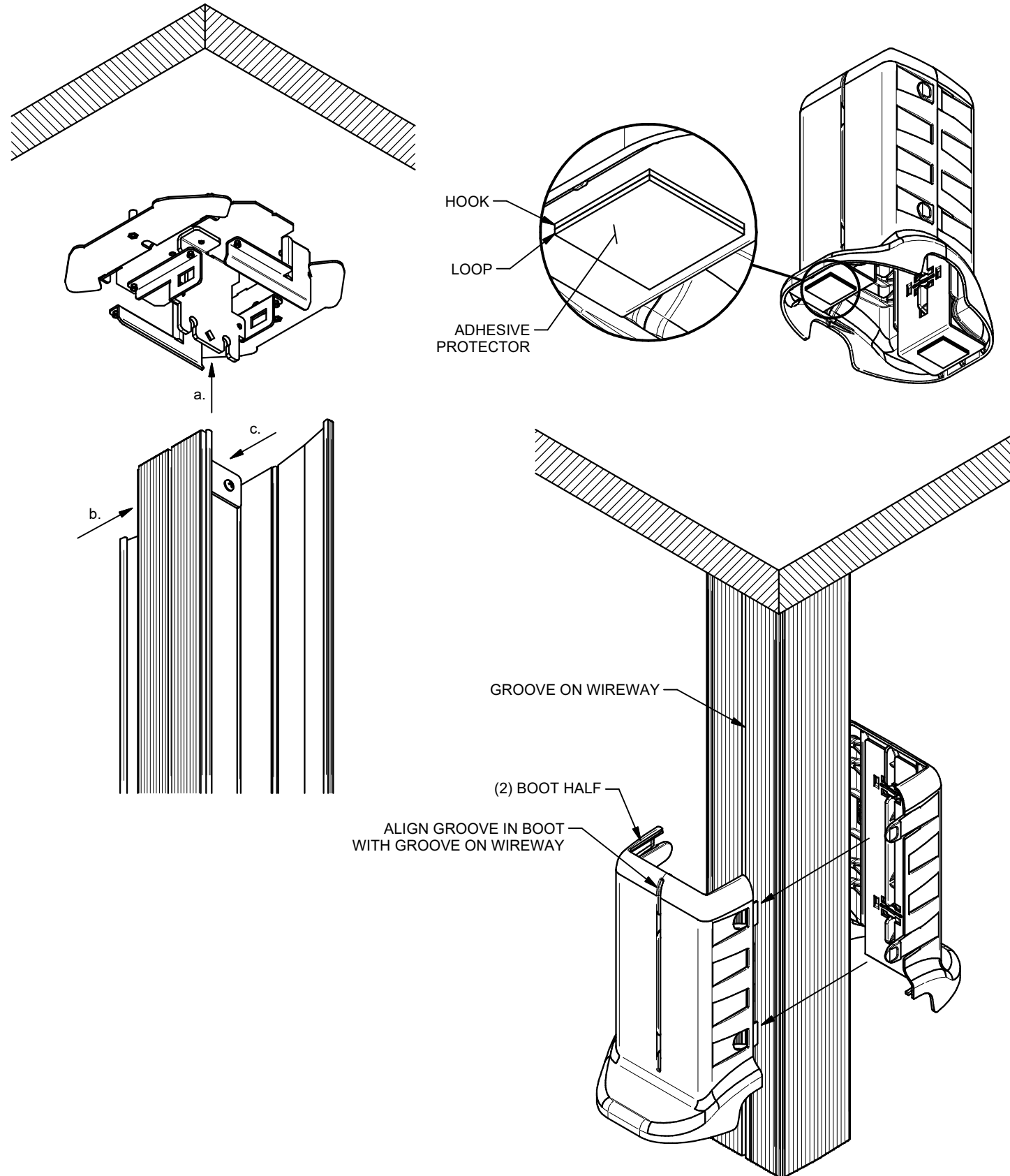
- 4a. PUSH WIREWAY UP TO MOUNTING BRACKET UNTIL IT STOPS.
- 4b. PUSH PLATE WITH STANDOFFS TOWARDS TONGUE SO THAT WIREWAY WILL HANG UNASSISTED.
- 4c. TIGHTEN SCREWS TO SECURE WIREWAY TO MOUNTING BRACKET.

5. INSTALL AND ROUTE ALL WIRING AS DESIRED/NECESSARY, BEFORE CLOSING AND LATCHING THE SIDES OF THE WIREWAY (WIRING CAN ALSO BE INSTALLED AT A LATER DATE).
6. WITH WIREWAY CLOSED, INSTALL BOOT HALVES AND SLIDE DOWN TO MEET FLOOR. REMOVE "LOOP PAD" FOR CARPETED FLOORS, AND REMOVE JUST THE ADHESIVE PROTECTOR FOR NON-CARPETED FLOORS.

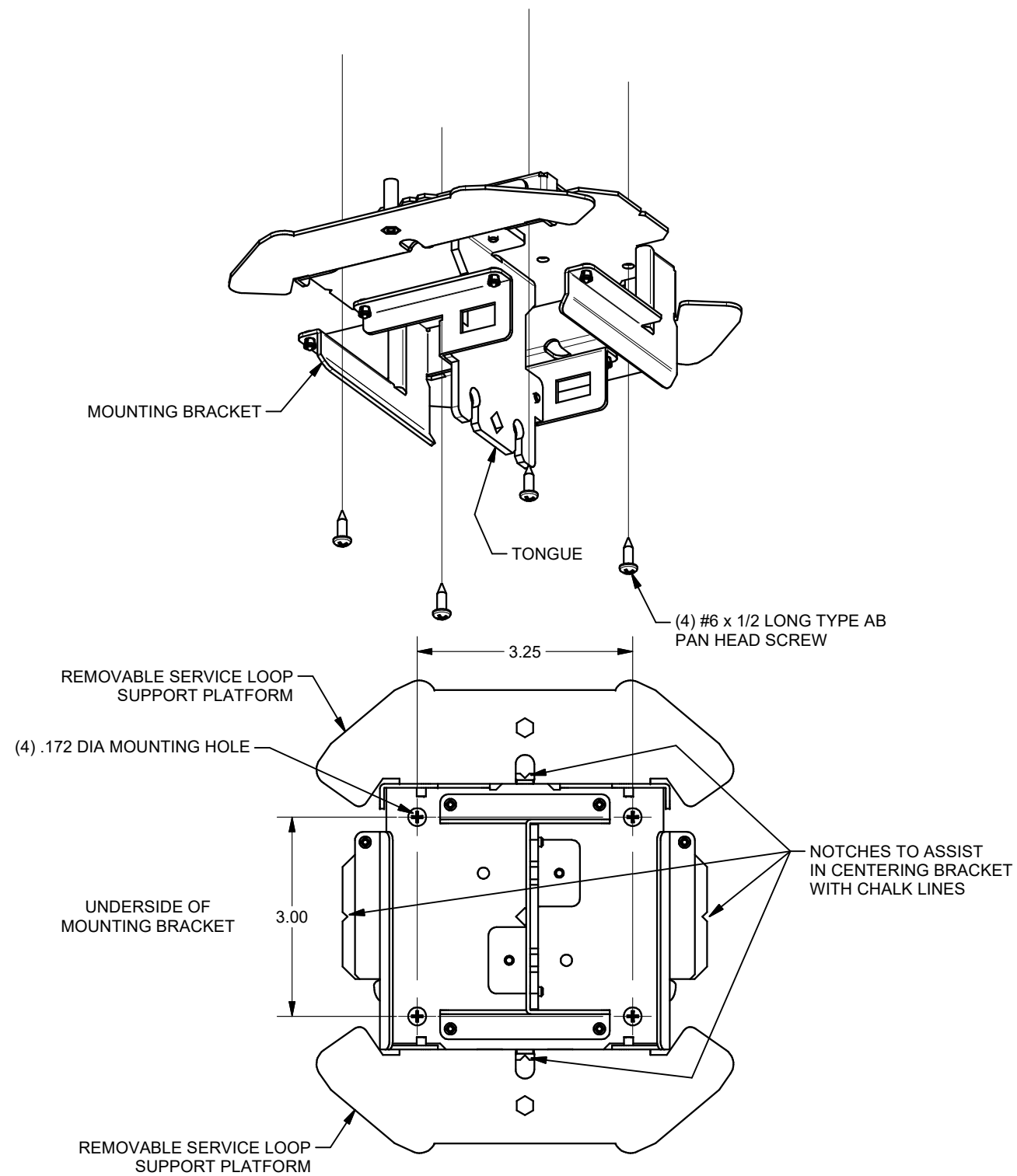
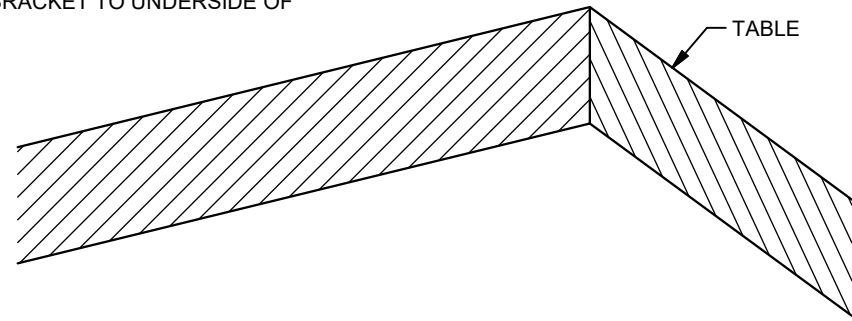
FSR WM-CMPT Installation Instruction

244 Bergen Boulevard, Woodland Park, NJ 07424, Phone: 973.785.4347 - Fax: 973.785.4207

1. WIRING CAN BE DONE DURING OR AFTER INSTALLATION. SEE CUSTOMER SPECIFICATIONS FOR LOCATING WM-CMPT. ORIENT AS REQUIRED SO THAT THE WIREWAY AND WIREWAY OPENING IS BEST ACCESSED FOR SERVICABILITY. ENSURE WIREWAY DOORS ARE NOT OBSTRUCTED.



2. INSTALL MOUNTING BRACKET TO UNDERSIDE OF TABLE AS SHOWN.



3. OPEN TUBE WIREWAY AND INSTALL MOUNTING PLATES AS SHOWN. THREAD THE SCREWS IN ONLY 1/8" SO THAT THE WIREWAY CAN BE INSTALLED ONTO TONGUE.

