

Universal Fine-Tune Projector Mount

Model: **FTP**

Weight Capacity: 65 lb / 29.5 kg.

Features

- 1** Innovative patent pending mechanism enables smooth finger-tip alignment
 - 2** Mounts to pipe or ceiling structures with the included quick installation tool
 - 3** Post-installation leveling barrels assure alignment even after the projector is mounted
- Four universal mounting legs (four long pre-installed, two short)
 - Lock-It™ security hardware and leveling barrel provide strong protection
 - UL Listed

The FTP Universal Fine-Tune Projector Mount is a universal mount with a slide release and precision adjustments to save time during installation and service calls. The FTP's enhanced fine-tune features allow the installer to adjust pitch, roll and yaw independently and without tools. After aligning the projector's image to the final projection settings, the FTP can be locked in position with a single thumb screw.



Touchboards

205 Westwood Ave, Long Branch, NJ 07740
 Phone: 866-94 BOARDS (26273) / (732)-222-1511
 Fax: (732)-222-7088 | E-mail: sales@touchboards.com



Enhanced fine-tune features allow for tool-free pitch, roll, and yaw adjustments



Universal mounting legs (four long, two short)



FTP installation disc allows rapid installation to a 1.5" NPT

Fine-Tune Projector Mount FTP


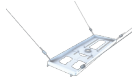

Specifications

Color Black	Weight 4.64 lb. 2.1 kg	Weight Capacity / Mount 65 lb. 29.5 kg	Height 4.05 in. 103 mm
Roll +5.00°/-5.00°	Pitch +5.00°/-15.00°	Yaw +20.00°/-20.00°	Mounting Reach 16.44 in. 418 mm
			Warranty Lifetime

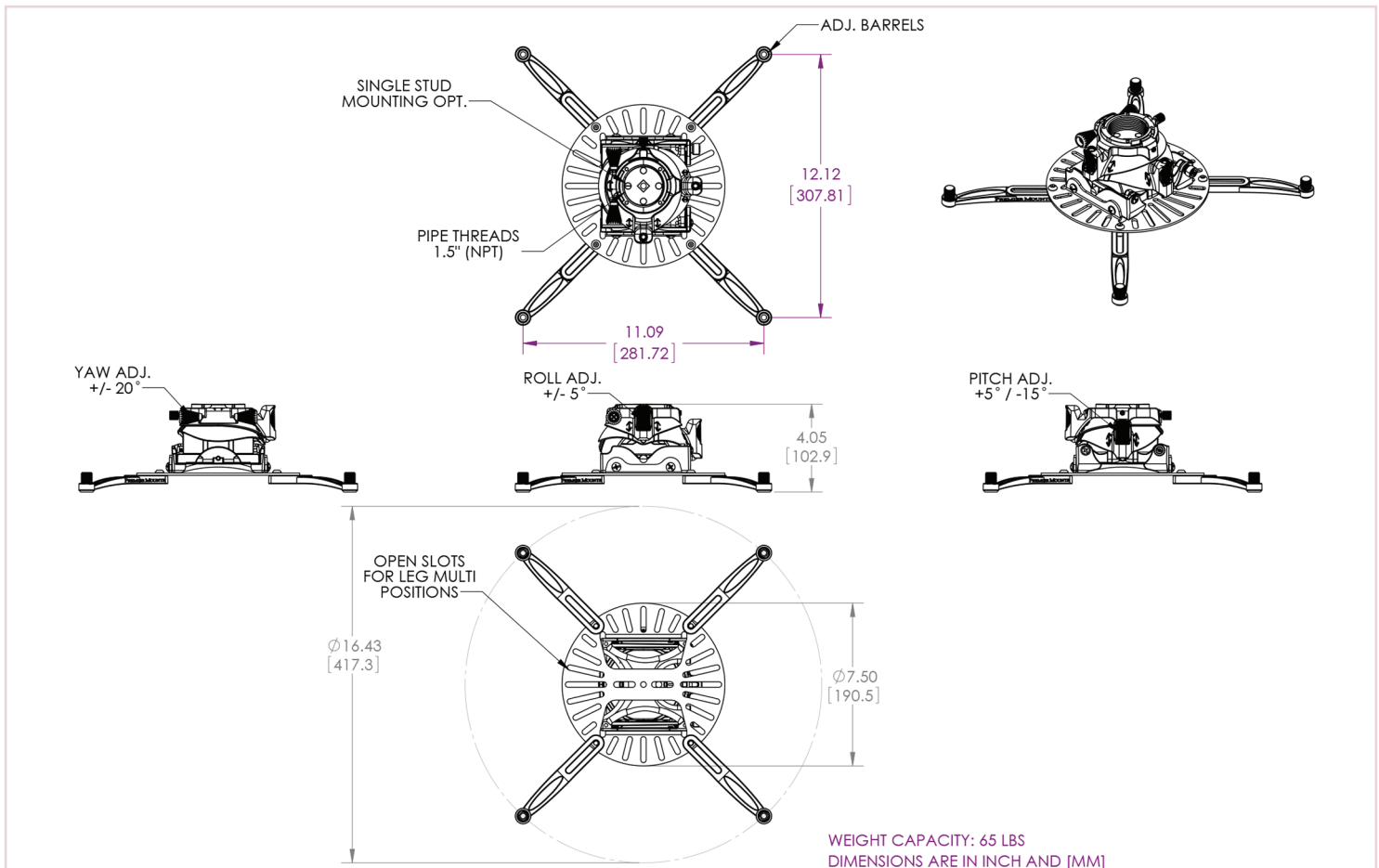
Packaging

Length x Width x Height 11.75 x 4.75 x 12.50 in. 298 x 121 x 318 mm	Contents FTP Dome (x1), Universal Projector Plate (x1), Quick Set Base (x1), Short Mounting Legs (x2), Long Mounting Legs (x4), Barrel Caps (x6), Fine Tune Projector Base Box Hardware Pack (x1), Lock-It™ Security Hardware Pack (x1)
---	---

Accessories

 Plenum Rated False Ceiling Equipment Storage w/ Pipe Coupler GB-AVSTOR5	 False Ceiling Adapter w/ Quick-Lock Cable PP-FCTA-QL	 Adjustable Height Ceiling Adapter (24 - 46 in.) AST-2446
---	--	--

Architectural Drawing



Specifications subject to change without notice

T: 800.368.9700 | www.mounts.com | 1321 S. State College Blvd., Fullerton, CA 92831 USA



Visit www.mounts.com to see the complete line of AV solutions from Premier Mounts, including flat-panel mounts, projector mounts, carts/stands, and a full assortment of accessories.
© 2014 Premier Mounts. All rights reserved.

Rev. 01-27-06