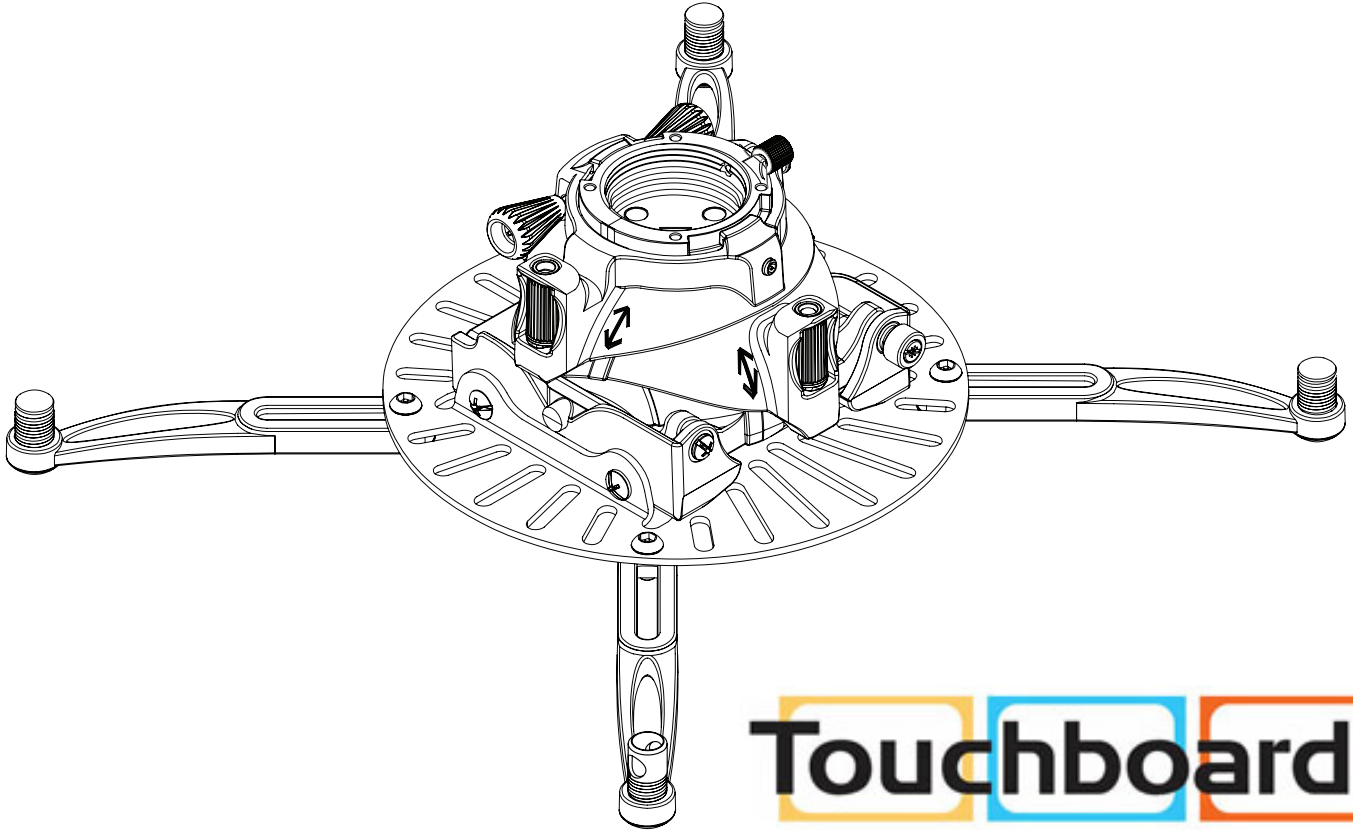


## INSTALLATION INSTRUCTIONS



**Touchboards**

205 Westwood Ave, Long Branch, NJ 07740  
Phone: 866-94 BOARDS (26273) / (732)-222-1511  
Fax: (732)-222-7088 | E-mail: [sales@touchboards.com](mailto:sales@touchboards.com)

### Fine Tune Projector Mount

Model: FTP / FTPW

---

#### **NORTH AMERICA**

1321 S. State College Boulevard  
Fullerton, CA 92831 USA  
USA and Canada  
Phone: 1.800.368.9700  
Fax: 1.800.832.4888  
Other Locations  
Phone: (001).714.632.7100  
Fax: (001).714.632.1044

#### **EUROPE**

Unit 3, The Moorings Business Park  
Channel Way, Longford  
Conventry, CV6 6RH,  
Phone: +44 (0) 2476 644105  
Fax: +44 (0) 2476 644165



## Contents

Weight Limit.....	2
Warning Statements.....	2
Installation Tools.....	3
Parts List.....	3
Mounting Hardware.....	4
Lock-It™ Security Hardware Pack.....	4
Features.....	5
Installing the Fine Tune Projector Mount.....	6
Introduction.....	6
Pipe Installation.....	6
Wood Stud Installation.....	8
Attaching the Universal Projector Plate.....	10
Selecting the Mounting Hardware.....	10
Multiple Mount Point Installation.....	11
Single Mount Point Installation.....	13
Securing the Quick Set Base.....	14
Attaching the Projector to the Mount.....	14
Alignment & Fine-Tuning.....	15
Locking in the Adjustments.....	16
Securing the Fine Tune Projector Mount.....	16
Technical Specifications.....	17
Warranty.....	18
Disclaimer.....	18

## Weight Limit

Maximum Projector Weight: **65 lbs.**

THE CEILING STRUCTURE MUST BE CAPABLE OF SUPPORTING AT LEAST FIVE TIMES THE WEIGHT OF THE PROJECTOR. IF NOT, THE CEILING STRUCTURE MUST BE REINFORCED.

## Warning Statements



PRIOR TO THE INSTALLATION OF THIS PRODUCT, THE INSTALLATION INSTRUCTIONS MUST BE READ AND COMPLETELY UNDERSTOOD. KEEP THESE INSTALLATION INSTRUCTIONS IN AN EASILY ACCESSIBLE LOCATION FOR FUTURE REFERENCE.



PROPER INSTALLATION PROCEDURE BY A QUALIFIED SERVICE TECHNICIAN MUST BE FOLLOWED, AS OUTLINED IN THESE INSTALLATION INSTRUCTIONS. FAILURE TO DO SO COULD RESULT IN PROPERTY DAMAGE, SERIOUS PERSONAL INJURY, OR EVEN DEATH.



SAFETY MEASURES MUST BE PRACTICED AT ALL TIMES DURING THE ASSEMBLY OF THIS PRODUCT. USE PROPER SAFETY EQUIPMENT AND TOOLS FOR THE ASSEMBLY PROCEDURE TO PREVENT PERSONAL INJURY.



PREMIER MOUNTS DOES NOT WARRANT AGAINST DAMAGE CAUSED BY THE USE OF ANY PREMIER MOUNTS PRODUCT FOR PURPOSES OTHER THAN THOSE FOR WHICH IT WAS DESIGNED OR DAMAGE CAUSED BY UNAUTHORIZED ATTACHMENTS OR MODIFICATIONS, AND IS NOT RESPONSIBLE FOR ANY DAMAGES, CLAIMS, DEMANDS, SUITS, ACTIONS OR CAUSES OF ACTION OF WHATEVER KIND RESULTING FROM, ARISING OUT OF OR IN ANY MANNER RELATING TO ANY SUCH USE, ATTACHMENTS OR MODIFICATIONS.



At least two qualified people should perform the assembly procedure. Personal injury and/or property damage can result from dropping or mishandling the projector.



If mounting to ceiling studs, make sure that the mounting screws are anchored into the center of the ceiling studs. Use of an edge-to-edge stud finder is recommended.



This product is intended for indoor use only. Use of this product outdoors could lead to product failure and/or serious personal injury.



Do not install near sources of high heat. Do not install on a structure that is prone to vibration, movement or chance of impact.



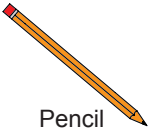
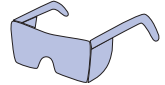
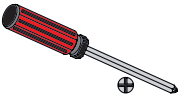

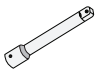
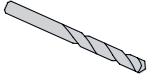
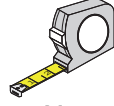



Contact Premier Mounts with any questions:  
(800) 368-9700  
techsupport@mounts.com



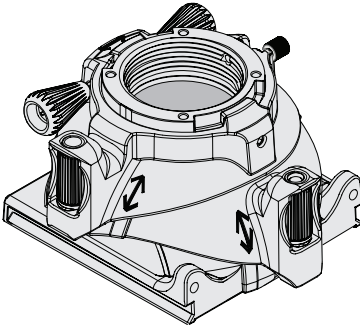
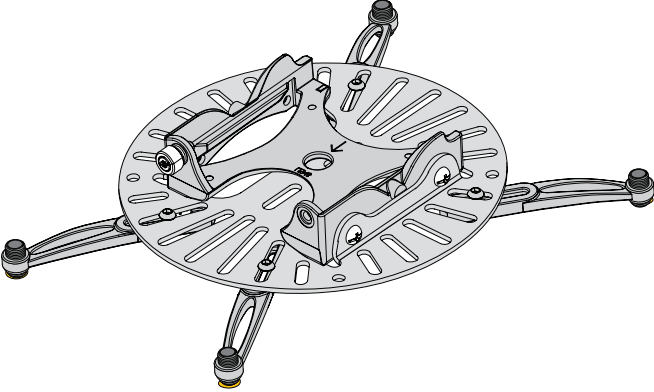
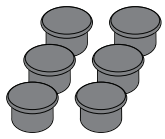
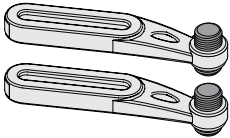
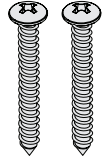
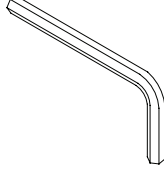
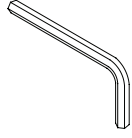
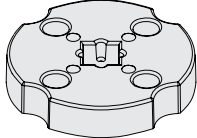

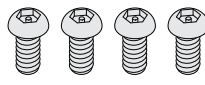


## Installation Tools

The following tools may be required depending upon your particular installation. They are not included..

				
Electronic Stud Finder	Hand Held Drill	Pencil	Protective Eyewear	Phillips Tip Screwdriver
				
Socket Wrench	Socket Wrench Extension	1/8" Wood Drill Bit	Tape Measure	Ladder

## Parts List

Make sure your Premier Mounts product has the following hardware and components before beginning installation. If there are parts missing and/or damaged, stop the installation and call Premier Mounts at (800) 368-9700.

Fine Tune Projector Mount Hardware			
			
FTP Dome (Qty 1)		Universal Projector Plate With Four Pre-installed Legs (Qty 1)	
			
Barrel Caps (Qty 6)	Mounting Legs - Short (Qty 2)		
Fine Tune Projector Base Box Mounting Hardware			
			
#14 x 3" Wood Screws (Qty 2)	M5 Allen Wrench (Qty 1)	M3 Security Allen Wrench (Qty 1)	Installation Disk (Qty 1)
			
M6 x 6mm Security Set Screw (Qty 1)	M6 x 8mm Security Screw (Qty 4)	Keylock Screw (Qty 1)	Keylock Key (Qty 2)



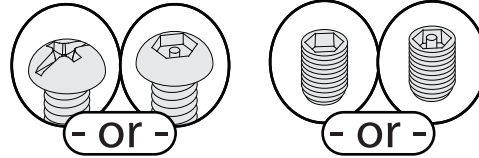
Parts List (cont'd)

Mounting Hardware

Lock-It™ Security Hardware Pack

Your Premier Mounts Fine Tune Projector Mount comes with the option of using Lock-It™ Security Screws. Simply replace any of the Phillips head screws with the corresponding sized Lock-It™ Security Screws and tighten using the appropriate size Allen wrench.

When you see the graphics below associated with a step, you have the option of using the standard mounting hardware or the Lock-It Security hardware.



Standard Hardware	
M2.5 x 10mm Screw (Qty 4)	
M2.5 x 12mm Screw (Qty 4)	
M3 x 16mm Screw (Qty 4)	
M3 Flat Washer (Qty 10)	
M4 x 10mm Screw (Qty 4)	
M4 x 12mm Screw (Qty 4)	
M5 x 12mm Screw (Qty 4)	
M6 x 12mm Screw (Qty 4)	
1/4-20 x 5/16" Screw (Qty 1)	

Lock-It™ Security Hardware	
M2.5 x 10mm Security Screw (Qty 4)	
M2.5 x 12mm Security Screw (Qty 4)	
M3 x 16mm Security Screw (Qty 4)	
M3 Flat Washer (Qty 10)	
M4 x 10mm Security Screw (Qty 4)	
M4 x 12mm Security Screw (Qty 4)	
M5 x 12mm Security Screw (Qty 4)	
M6 x 12mm Security Screw (Qty 8)	
1/4-20 x 5/16" Security Screw (Qty 1)	



## Features

### Multiple Mounting Options

You can install your Fine Tune Projector mount to 1½" NPT pipe or a ceiling stud.

### Lock-It™ Security Hardware

Protect your projector by installing specialized hardware at critical mounting points.

### Mounting Legs

Both long and short mounting legs, combined with the numerous Universal Projector Plate Mounting Slots, allow for near infinite mount configurations.

### Mounting Slots

Allows you to choose from a variety of mounting options and projector mount-point configurations.

### Installation Disk

Versatile tool allows you to rapidly install your Fine Tune Projector mount on to 1½" NPT pipe by using a socket wrench and socket wrench extension, or you can use it as a mounting bracket for ceiling stud installation.

### Adjustable Leveling Barrels

You can quickly level the mounting legs without any specialized tools.

### Fine-Tune Controls

Without needing any tools to loosen mounting hardware, you can adjust:  
 Roll up to 5° to either side.  
 Pitch up to 15° down and 5° up.  
 Yaw up to 20° left and right.

### Security Leveling Barrel

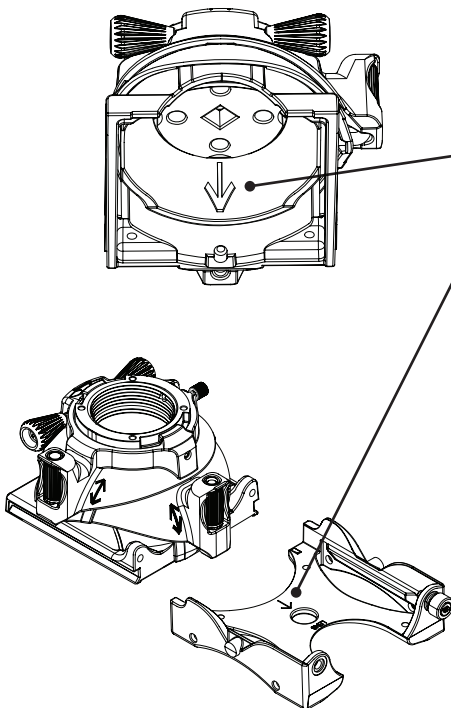
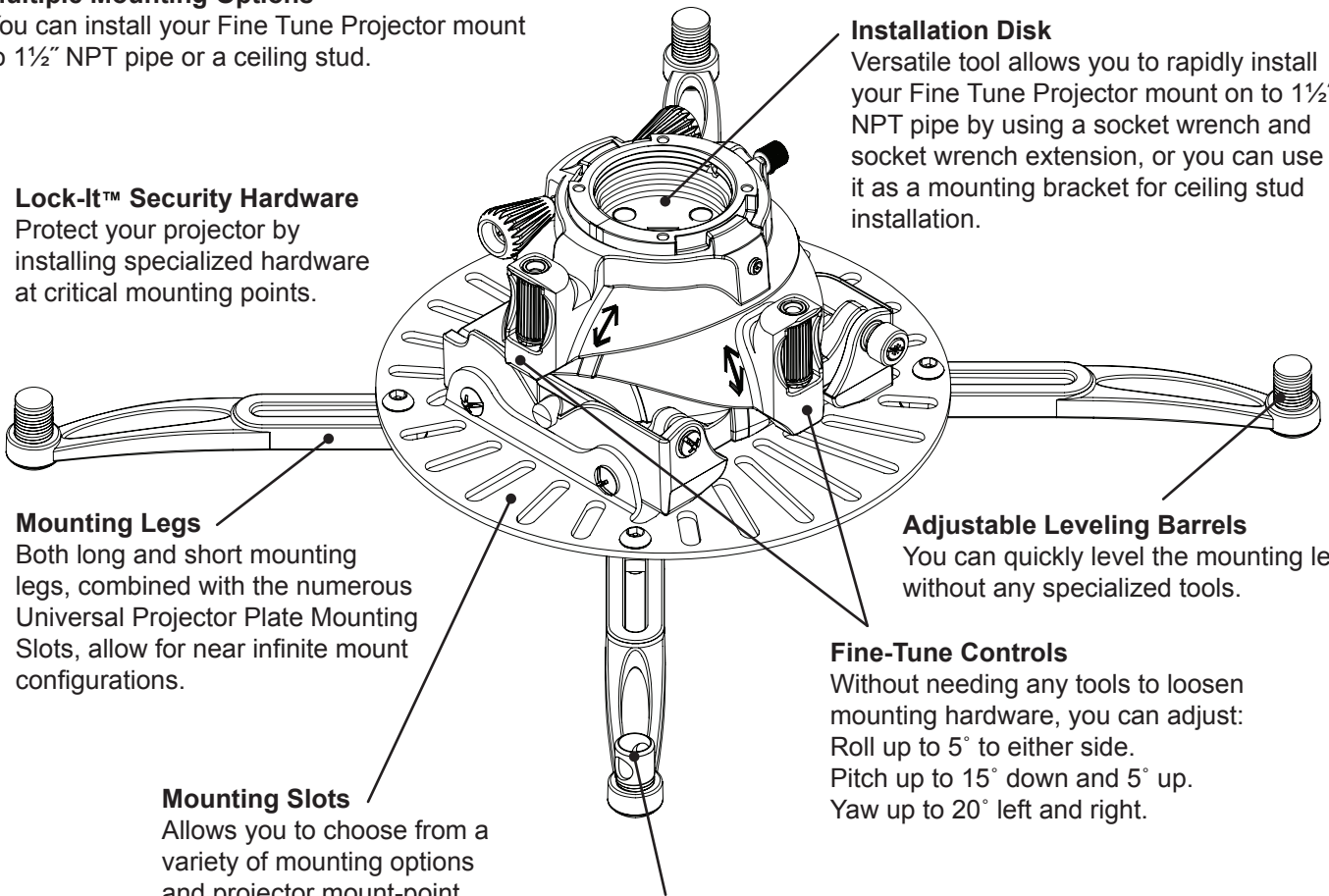
Allows the user to easily secure the mount with a padlock or a steel-cable locking system (PCB-CSL1). The locks (sold separately) would make it nearly impossible for anyone to remove the projector from the mount.

### Projector Direction Arrows

Inscribed on the underside of the FTP Dome and on the top of the Quick Set Base, you can always know for certain which way your projector will be pointing while you are installing your Fine-Tune Projector mount.

### Quick Set Base

If your projector ever needs service, you can quickly detach and attach it without having to uninstall the entire mount or re-align the projector to the screen.





# Installing the Fine Tune Projector Mount

## Introduction

The Fine Tune Projector Mount may be secured to either a 1½" standard threaded pipe (NPT), a Premier Mounts optional ceiling adapter, or a single ceiling stud. If using an optional Premier Mounts adapter, please refer to the installation instructions that come with each adapter on the proper installation of that product.

Please read these installation instructions once thoroughly before attempting to install your Premier Mounts product.

Please take a minute to familiarize yourself with the contents of the package and make sure you have all the parts and tools you need to safely complete the installation.

In addition, some steps of this installation may require two people to prevent personal injury and/or damage to your projector. Please observe all warnings in the following installation procedure and utilize proper safety equipment at all times.

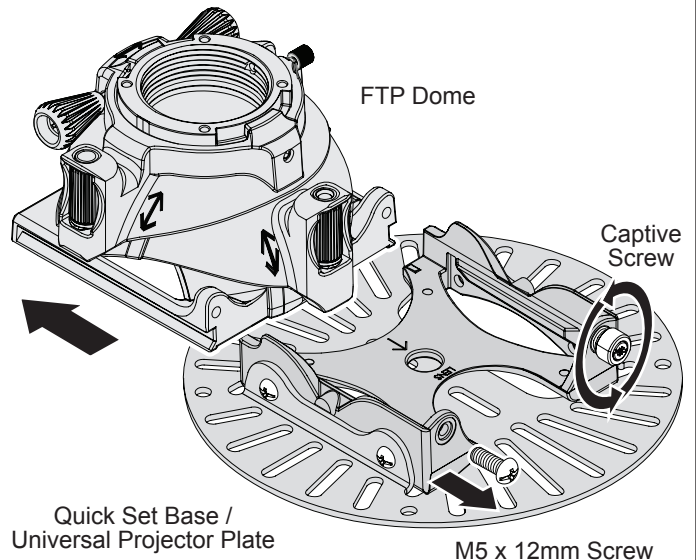
Begin installing your Fine Tune Projector mount by separating the FTP Dome from the Quick Set Base.

- 1) Use Phillips screwdriver to remove the M5 x 12mm screw. Place the M5 x 12mm Key Key Lock Screw in a safe location.
- 2) Use your thumb and forefinger, or a screwdriver (Phillips or slotted), to loosen the Captive Screw.
- 3) Separate the FTP Dome and the Quick Set Base / Universal Projector Plate.

The Captive Screw is integrated into the Quick Set Base and may not be removed.

If you are installing your FTP mount to a 1½" NPT pipe, proceed to the "Pipe Installation" section.

If you are installing your FTP mount to a wood stud, skip to the "Wood Stud Installation" section.

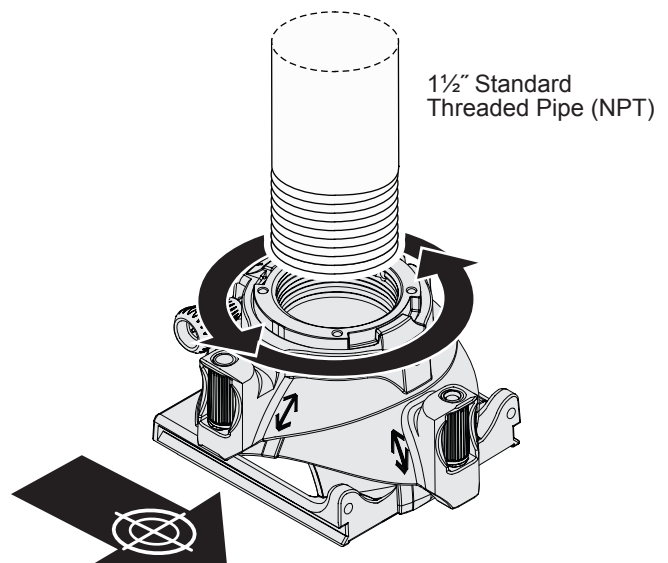


## Pipe Installation

### Step 1

Hand-thread the FTP Dome onto the 1½" standard threaded pipe (NPT) until it is hand-tight.

The target arrow in the following instructions indicates the direction of the projector screen relative to the projector mount.



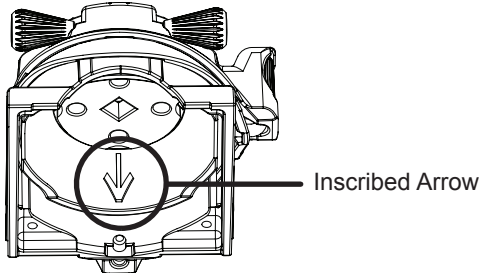


## Installing the Fine Tune Projector Mount (cont'd)

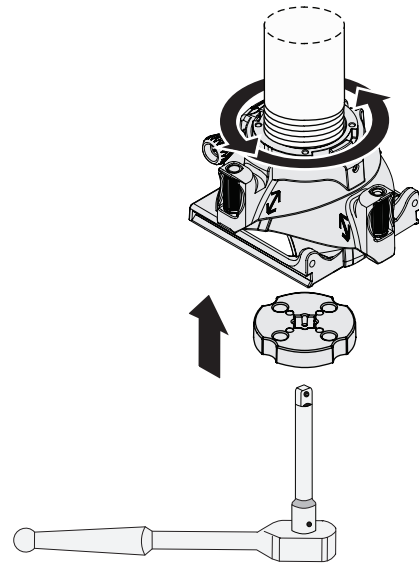
### Step 2

- 1) Attach a 6" or longer socket wrench extension onto a socket wrench.
- 2) Insert the end of the socket wrench extension into the center of the Installation Disk, then insert the Installation Disk into the underside of the FTP Dome.

Note the arrow inscribed inside of the FTP Dome.



FTP Dome as Viewed from Below



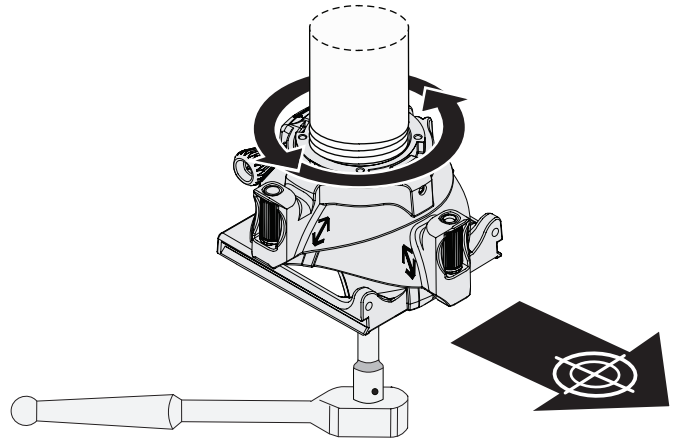
### Step 3

Tighten the FTP Dome until the inscribed arrow on the underside of the FTP Dome points in the direction in which the projector will be facing.

If the FTP Dome becomes too tight to turn and the inscribed arrow is pointing away from the projector screen by more than 5°, loosen the FTP Dome one (1) rotation until the inscribed arrow points towards the projector screen.

The “**Alignment & Fine-Tuning**” section of this manual describes how you can fine-tune the roll, pitch, and yaw of the projector.

Remove the Installation Disk and store it in a safe location.



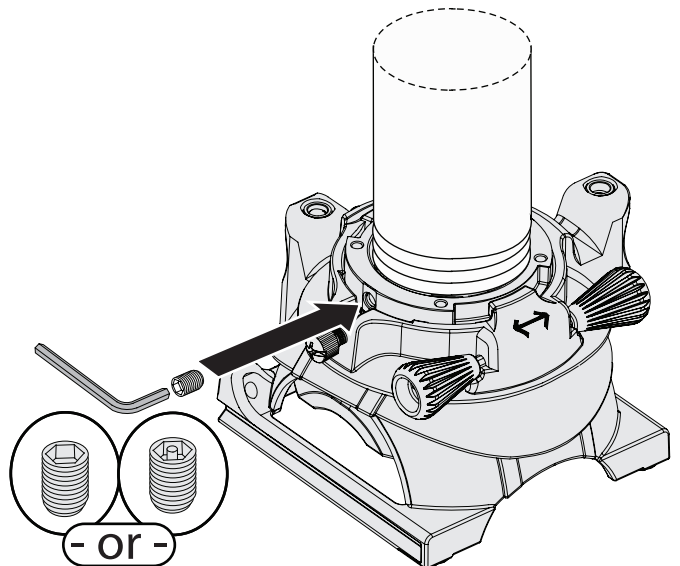
### Step 4

Secure the FTP Dome to the pipe with one (1) M6 x 6mm set screw and tighten it using the M3 Allen wrench.



You can use either the standard hardware or Lock-It™ security hardware.

Proceed to the “**Attaching the Universal Projector Plate**” section.





# Installing the Fine Tune Projector Mount (cont'd)

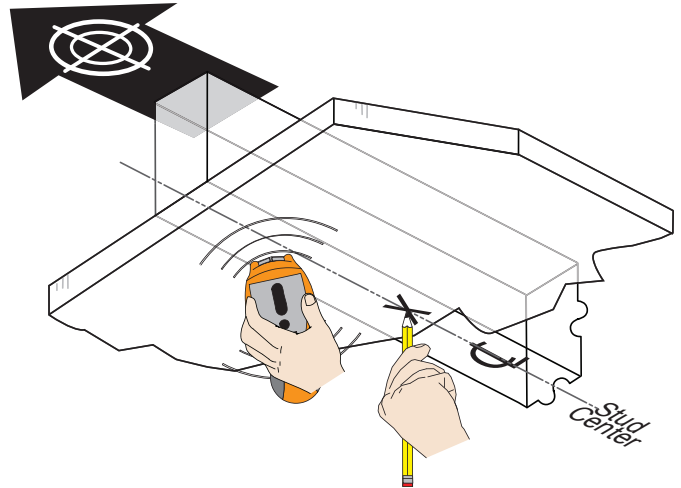
## Wood Stud Installation

### Step 1

- 1) Use a stud finder to locate a ceiling stud closest to your desired installation location.
- 2) Identify the center of the ceiling stud.
- 3) Use a pencil to mark the location of the ceiling stud center.

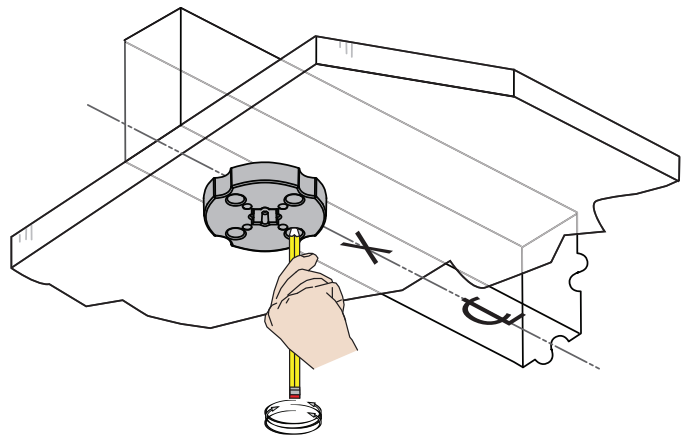


Be sure to only install on ceiling with a max drywall thickness of 5/8".



### Step 2

- 1) Place the Installation Disk against the ceiling with the mounting holes aligned with the center of the ceiling stud.
- 2) Use a pencil and mark two (2) mounting hole locations through the holes in the Installation Disk.



### Step 3

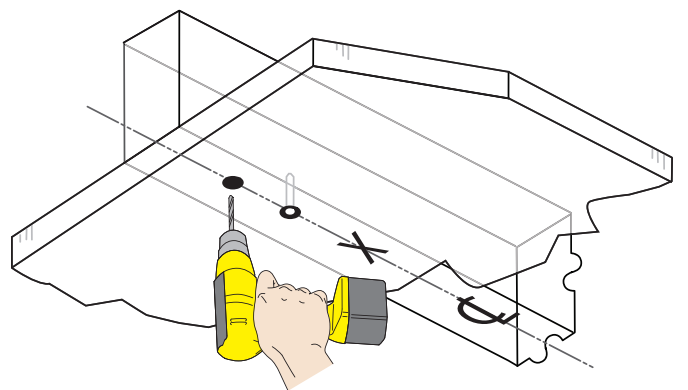
Remove the Installation Disk and set it aside.

Drill a pilot hole in the center of each mark using a power drill and 1/8" drill bit.



#### Pilot Holes

When a screw is driven into a material, such as wood, it can act as a wedge, generating outward pressure which can cause many materials to split. Drilling a small pilot hole in the material into which the screw will be driven causes less 'wedging' to take place, thereby reducing the likelihood of the material being split. It also reduces the possibility of the screw head from being sheared off by torque.





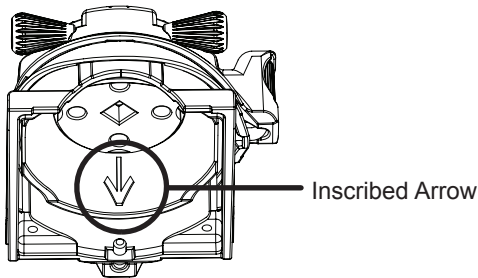


## Installing the Fine Tune Projector Mount (cont'd)

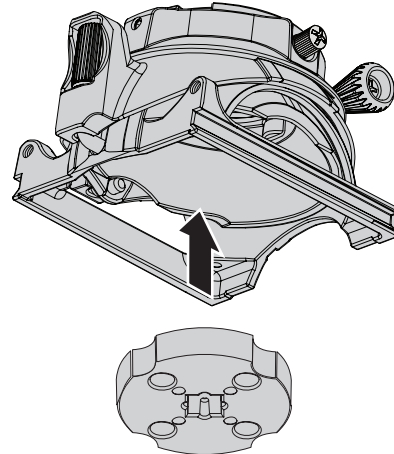
### Step 4

Insert the Installation Disk into the underside of the FTP Dome.

Note the arrow inscribed inside of the FTP Dome; make sure that it is pointed in the same direction that your projector will be pointed.




FTP Dome as Viewed from Below

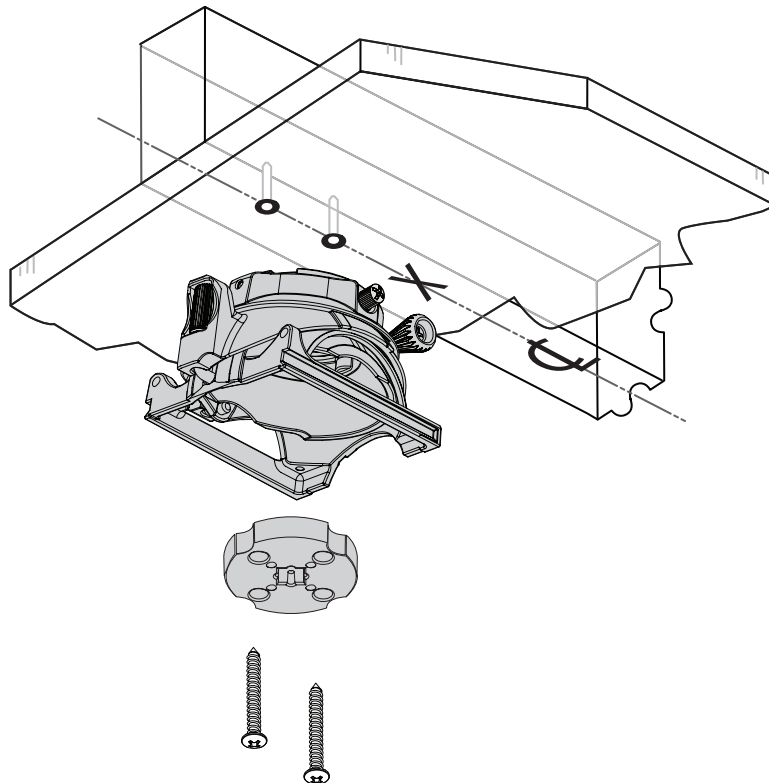


### Step 5

- 1) Insert one (1) #14 x 3" screw through each of the holes in the bottom of the Installation Disk and into the pilot holes.
- 2) Tighten each screw until the FTP Dome and Installation Disk are secure against the ceiling.

 Do not overtighten the mounting screws.

Proceed to the **“Attaching the Universal Projector Plate”** section.






## Attaching the Universal Projector Plate


### Selecting the Mounting Hardware

- 1) Insert a small straw or toothpick into the threaded inserts found on the bottom or top of the projector.
- 2) Use a pencil to mark the depth of the threaded insert on the small straw or toothpick.
- 3) Mark the straw or toothpick 1/8" above the depth of the threaded insert, as shown in Figure 1.
- 4) Insert the small straw or toothpick into the remaining threaded inserts to compare and verify their depth using the straw or toothpick's 1/8" allowance mark.
- 5) Locate the correct diameter screw for the threaded insert.

 If the screw you selected is longer than the 1/8" allowance mark on the small straw or toothpick, as shown in Figure 2 and Figure 3, do not use this screw. The screw length must not bypass the mark.

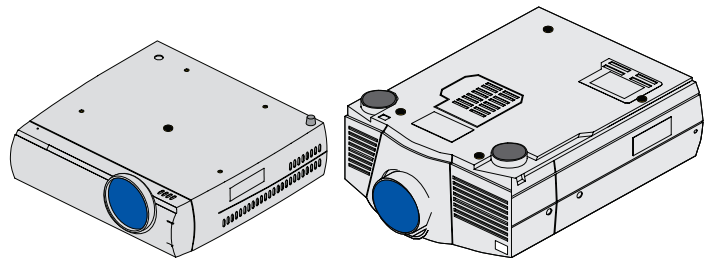
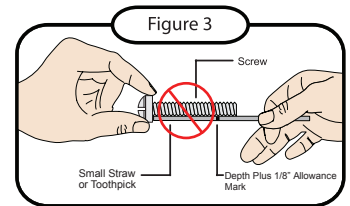
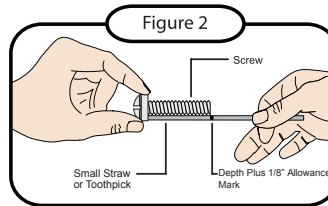
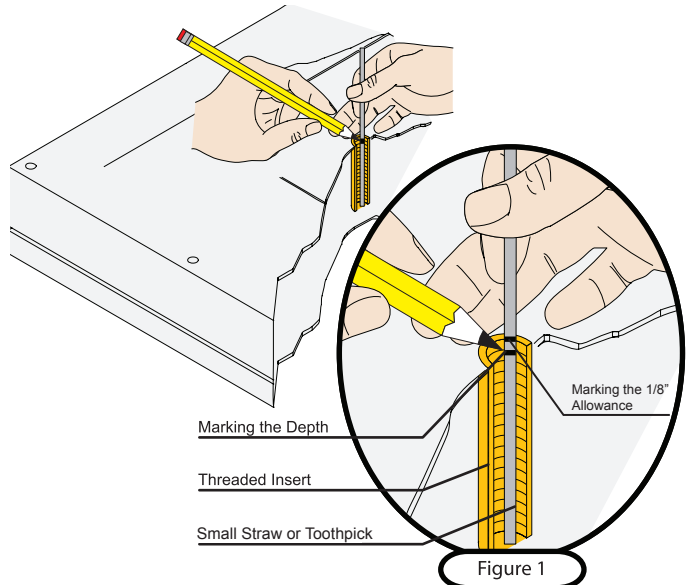
- 6) Test each size of the screws provided.

The correct screws should thread easily into the mounting point and not pull out when tension is applied.

 Does your projector have multiple mount points or a single mount point?

If your projector has multiple mount points, proceed to the **"Multiple Mount Point Installation"** section.

If your projector has a single mount point, remove the pre-installed mounting legs on the universal projector plate and skip to the **"Single Mount Point Installation"** section.





## Attaching the Universal Projector Plate (cont'd)

### Multiple Mount Point Installation

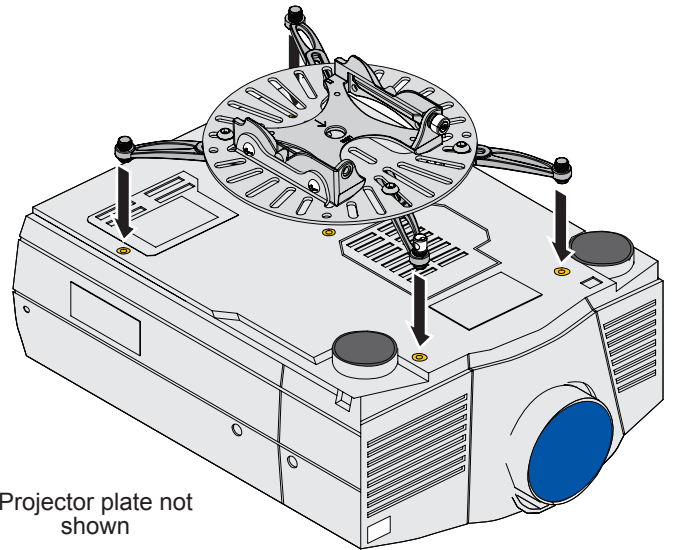
#### Step 1

- 1) Locate the projector's mount points.
- 2) Position an appropriate number of mounting legs on the projector.

The four long mounting legs come pre-installed, but you can use three (3) or four (4) long and/or short mounting legs depending on what your projector requires.



The number and placement of mount points on projectors varies between projector manufacturers. This example projector has five (5) mount points, but only uses four (4) mounting legs.



Projector plate not shown

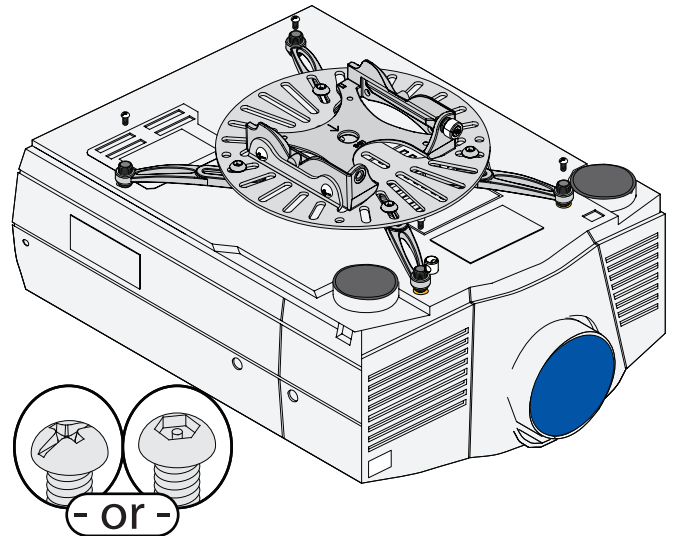
#### Step 2

Insert the mounting hardware, as determined in the **“Selecting the Mounting Hardware”** section, through the leveling barrels of the mounting legs into the thread insert of the projector.



You can use either the standard Phillips head or Lock-It™ security hardware.

Do not tighten the mounting hardware at this time.



#### Pro Tip



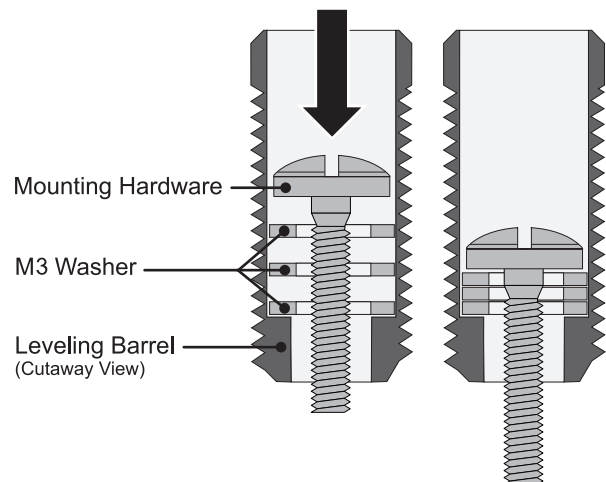
##### Mounting Hardware Too Long?

The depth of some projector mount points may prevent you from tightening the M2.5 and M3 mounting hardware.

You can reduce the length of the M2.5 and M3 mounting hardware by stacking up to a maximum of five (5) M3 flat washers inside the leveling barrel.



Avoid stacking too many M3 washers; the mounting hardware must thread into the projector mount point at least four (4) complete turns.



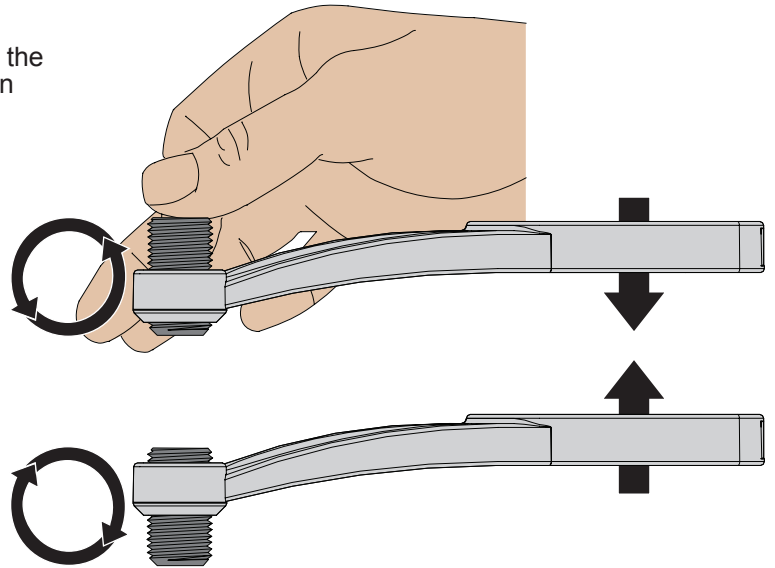


### Attaching the Universal Projector Plate (cont'd)

#### Step 3

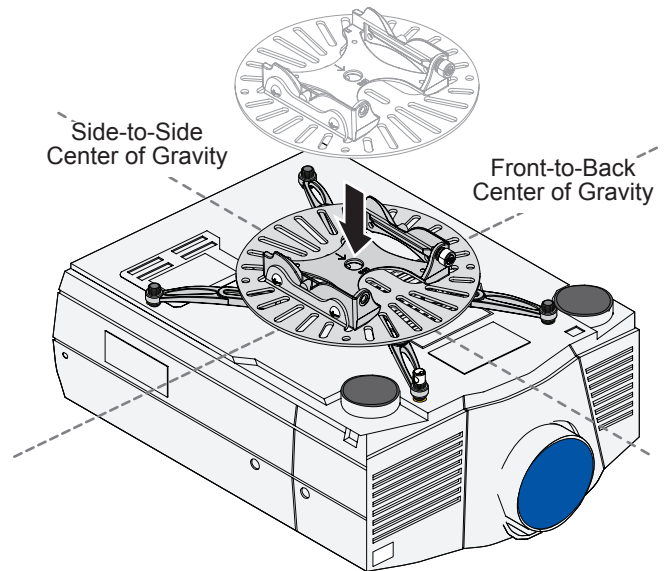
Raise or lower each of the mounting legs, by rotating the leveling barrels, until all of the mounting legs are at an equal height.

- Lower the mounting leg by rotating the leveling barrel counter-clockwise.
- Raise the mounting legs by rotating the leveling barrel clockwise.



#### Step 4

- 1) Identify the projector's approximate front-to-back center of gravity. Place your hands on each side of the projector and gently lift it an inch from the surface on which it is resting. Carefully adjust your grip on the projector until it seems balanced from front-to-back. Mentally note the apparent center of gravity.
- 2) Identify the projector's approximate side-to-side center of gravity. Place your hands on the front and back of the projector and gently lift it an inch from the surface on which it is resting. Carefully adjust your grip on the projector until it seems balanced from side-to-side. Mentally note the apparent center of gravity.
- 3) Place the Universal Projector Plate (if not already attached) on top of the mounting legs with the center hole as close as possible to the projector's center of gravity.

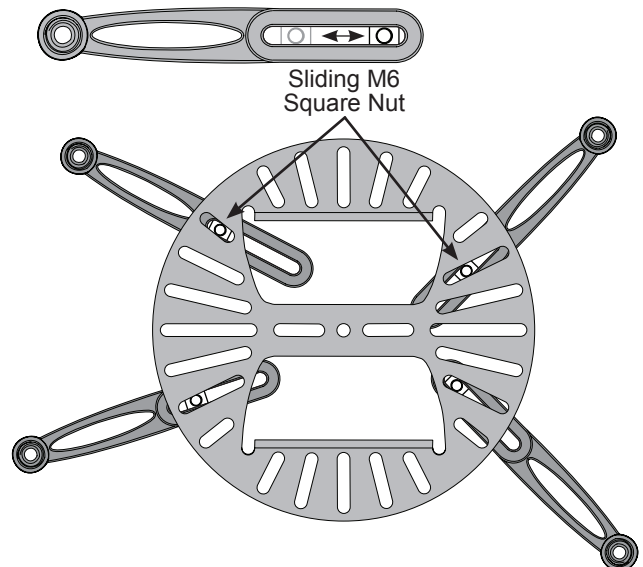


#### Step 5

- 1) Verify that the mounting legs are at an equal height. Return to **Step 3** if they are not at an equal height or the Universal Projector Plate is not level.
- 2) Verify the position of the integrated sliding M6 square nut in the mounting leg relative to a nearby slot on the Universal Projector Plate.



If the M6 square nut is not aligned with any slot, you can use any thin implement, such as a toothpick, to nudge it into alignment.



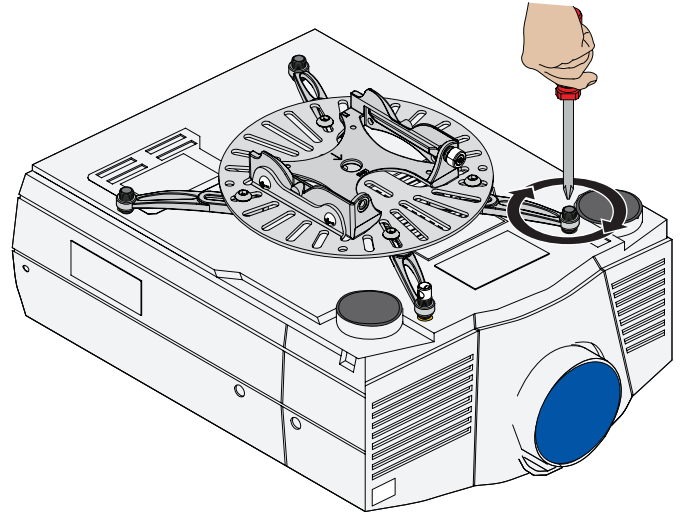


## Attaching the Universal Projector Plate (cont'd)

### Step 6

Tighten the mounting screws to the projector.

Do not overtighten the mounting screws.



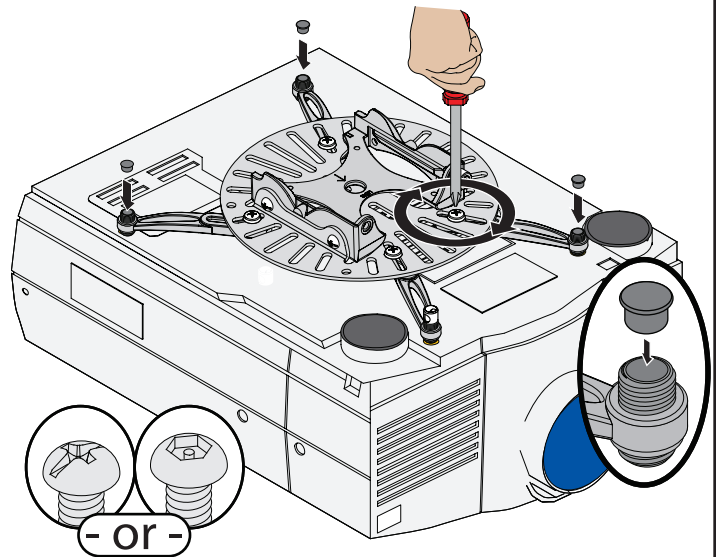
### Step 7

- 1) Attach the Universal Projector Plate (if not already attached) to each of the mounting legs by inserting and tightening one (1) M6 x 12mm screw through the Universal Projector Plate into the M6 square nut on each of the mounting legs.

Do not overtighten the mounting screws.

You can use either the standard Phillips head or Lock-It™ security hardware.

- 2) Insert one (1) Barrel Cap into the end of each leveling barrel (except the security leveling barrel).  
Proceed to the “**Securing the Quick Set Base**” section.



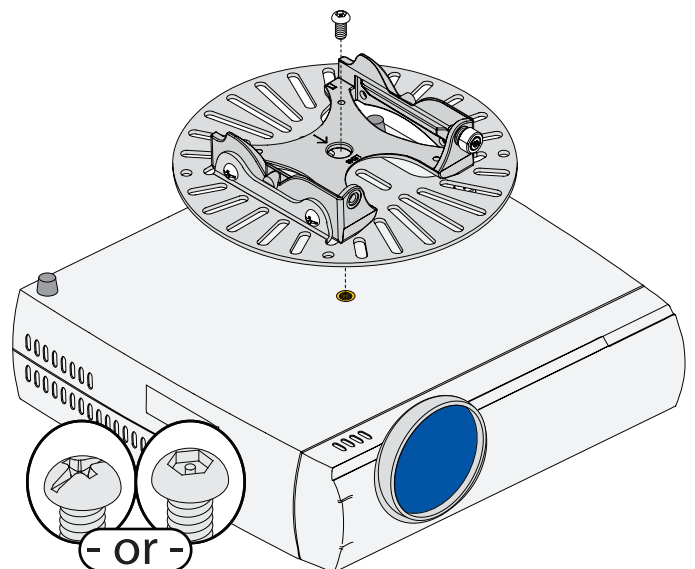
### Single Mount Point Installation

A single 1/4-20 x 5/16" screw must be used to attach the Universal Projector Plate to the projector if your projector has only one mounting point.

Do not overtighten the mounting screws.

You can use either the standard Phillips head or Lock-It™ security hardware.

Proceed to the “**Securing the Quick Set Base**” section.





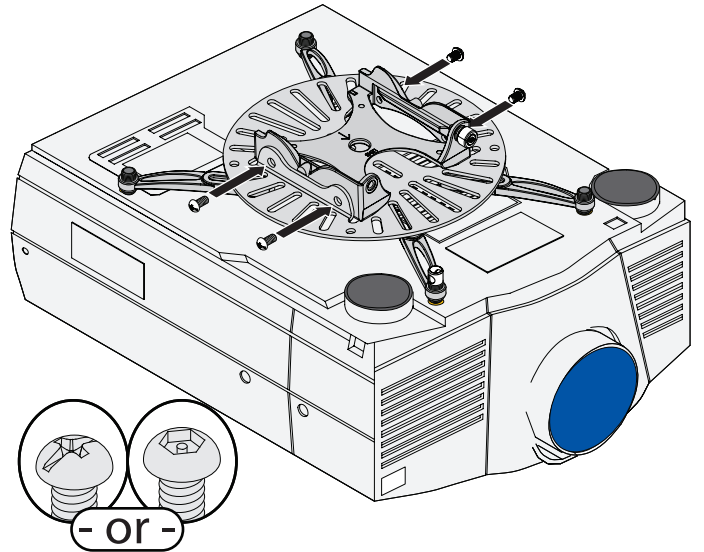
### Securing the Quick Set Base

You had the option of installing Lock-It™ security hardware during several of the previous steps. You may also exchange the screws which secure the Universal Projector Plate to the Quick Set Base.

- 1) Remove the four (4) Phillips head M6 x 8mm screws which secure the Quick Set Base to the Universal Projector Plate.
- 2) Replace each M6 x 8mm Phillips head screw with one (1) M6 x 8mm Security screw.
- 3) Tighten all screws.

Do not overtighten the mounting screws.

Proceed to the **“Attaching the Projector to the Mount”** section.



### Attaching the Projector to the Mount

If your projector is heavy and/or bulky, two people may be required to safely attach your projector to the FTP Dome.

If your projector is to be mounted higher than shoulder height, you may need to use one or more ladders to safely attach your projector to the FTP Dome.

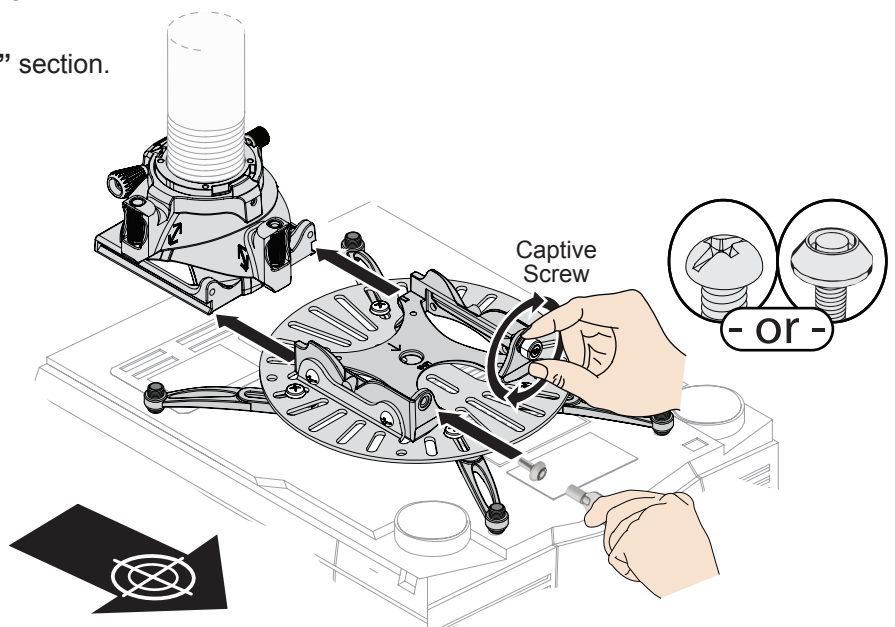
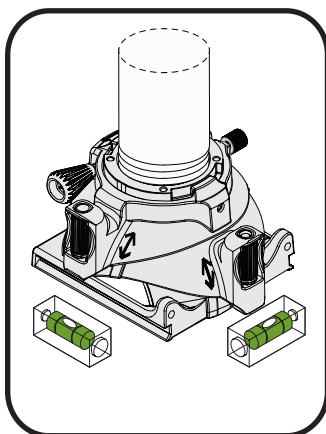
Verify that the FTP Dome is in the factory-default position prior to attempting to attach the Quick Set Base/projector assembly. Serious damage to property or severe personal injury could occur if the FTP Dome is not at the factory-set position.

- 1) Raise the projector (with the Quick Set Base and Universal Projector Plate securely attached) and slide the Quick Set Base onto the FTP Dome. Do not release the projector.
- 2) Use your thumb and forefinger to thread the Captive Screw into the FTP Dome until it is hand-tight.
- 3) Insert the M5 x 12mm screw into the location shown and tighten it using a Phillips screwdriver.

You can use either the standard Phillips head or Key Lock security hardware.

Do not overtighten the M5 x 12mm screw.

Proceed to the **“Alignment & Fine-Tuning”** section.

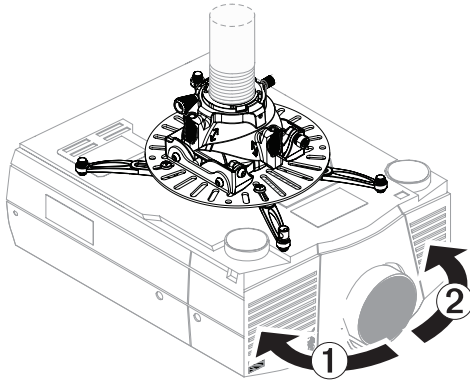




## Alignment & Fine-Tuning

### Yaw

Yaw can be adjusted up to 20° left and 20° right from center.

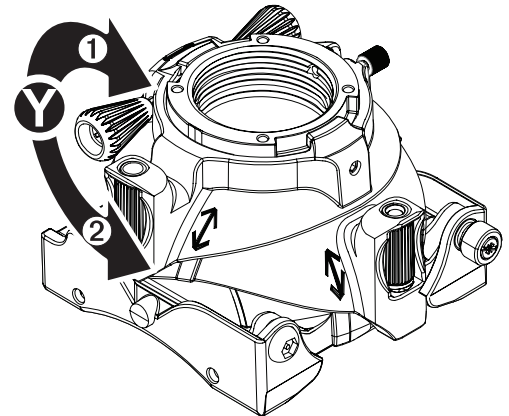


Adjust the projector's yaw by turning control **Y**...

...clockwise to pivot the front ① to the right.

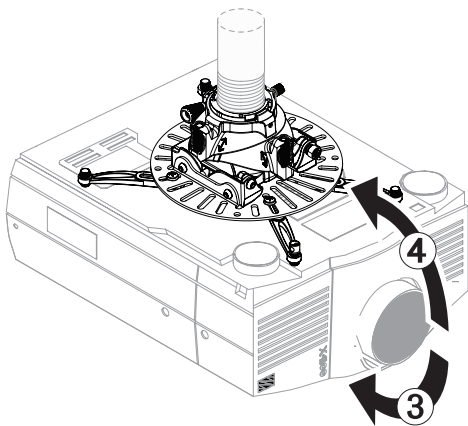
...counter-clockwise to pivot the front ② to the left.

Each full revolution of the **Y** control adjusts the yaw by 4°.



### Pitch

Pitch can be adjusted 15° down and 5° up from level.

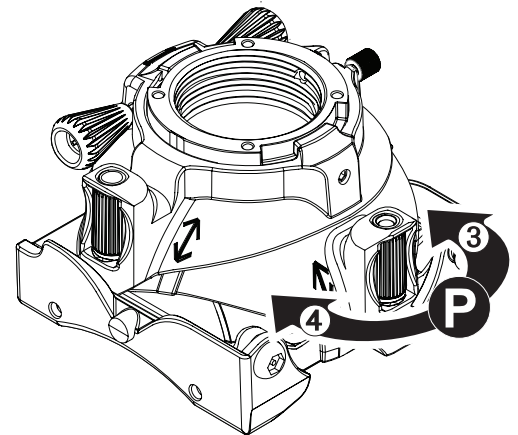


Adjust the projector's pitch by spinning control **P**...

...right to pitch the front ③ down.

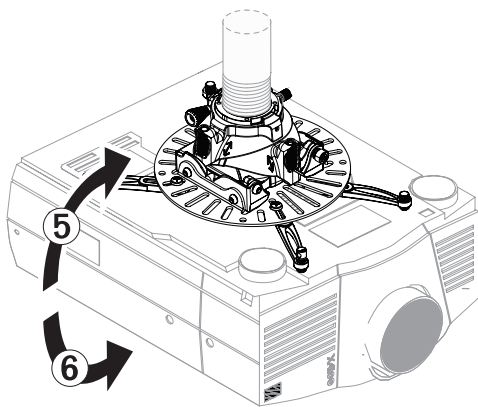
...left to pitch the front ④ up.

Each full revolution of the **P** control adjusts the pitch by 1°.



### Roll

Roll can be adjusted up to 5° to either side from level.

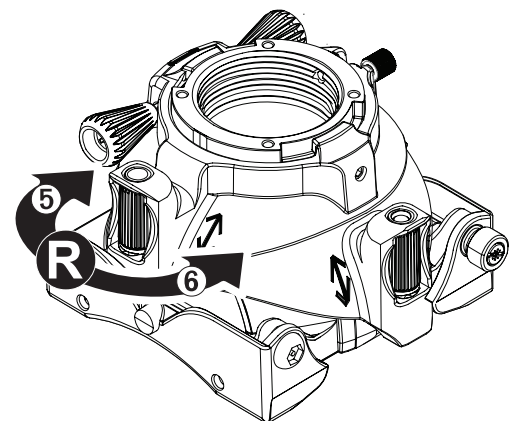


Adjust the projector's roll by spinning control **R**...

...left to roll the right side ⑤ up.

...right to roll the right side ⑥ down.

Each full revolution of the **R** control adjusts the roll by 1°.





### Locking in the Adjustments

After you have finalized your yaw, pitch, and roll adjustments, you can lock them in to prevent them from being accidentally changed.

- 1) Finger-tighten the knurl knob until it makes firm contact with the FTP Support Sphere (Figure 1).



The M6 set screw on the front of the FTP Dome provides tension for the roll, pitch and yaw adjustments. This is a factory setting which you should not change (Figure 2).

FTP Support Sphere

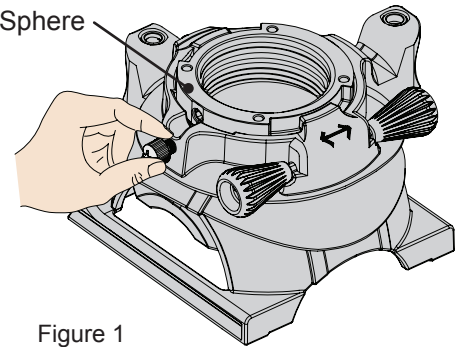


Figure 1

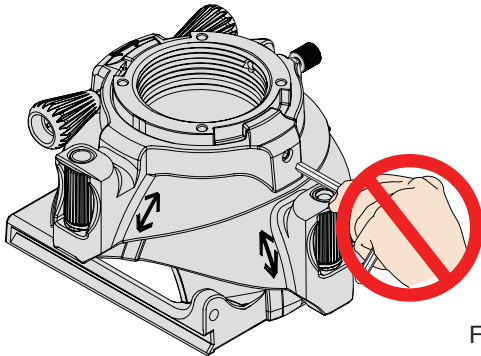


Figure 2

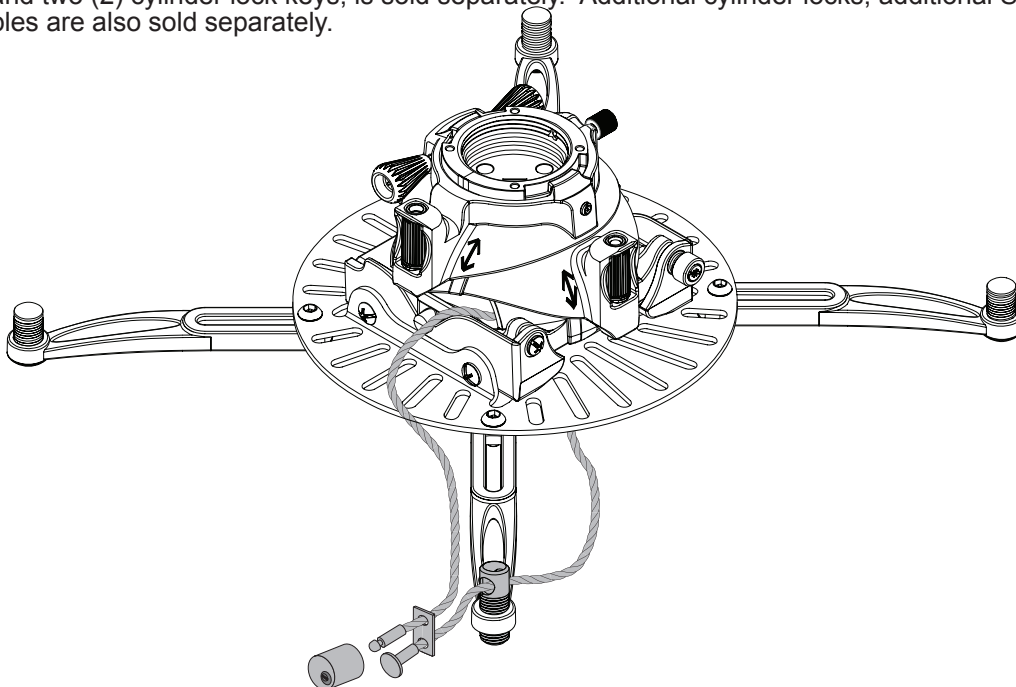
### Securing the Fine Tune Projector Mount

Your FTP mount includes one pre-installed Security Leveling Barrel in a mounting leg which can provide additional theft deterrence for your projector.

Shown below is an example of how you can route a PCB-CSL1 Security Cable through the Security Barrel. The Security Cable is routed through the Security Barrel after the standard leveling barrel is replaced by the Security Barrel and the projector mount is securely attached to the projector as per the installation instructions.

The PCB-CSL1 kit also includes a Cable Looper which you can use to create a tight loop for cable management.

The PCB-CSL1 kit, which contains one (1) 18" braided cable, one (1) chassis sleeve, one (1) cable looper, one (1) cylinder lock, and two (2) cylinder lock keys, is sold separately. Additional cylinder locks, additional Security Barrels, and longer cables are also sold separately.

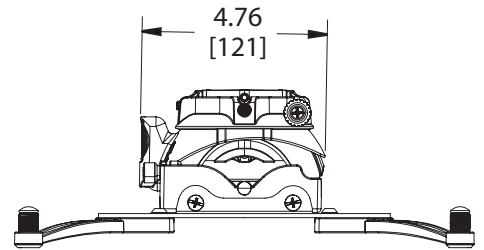
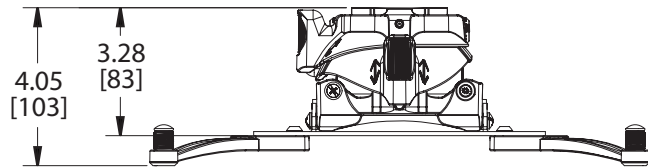
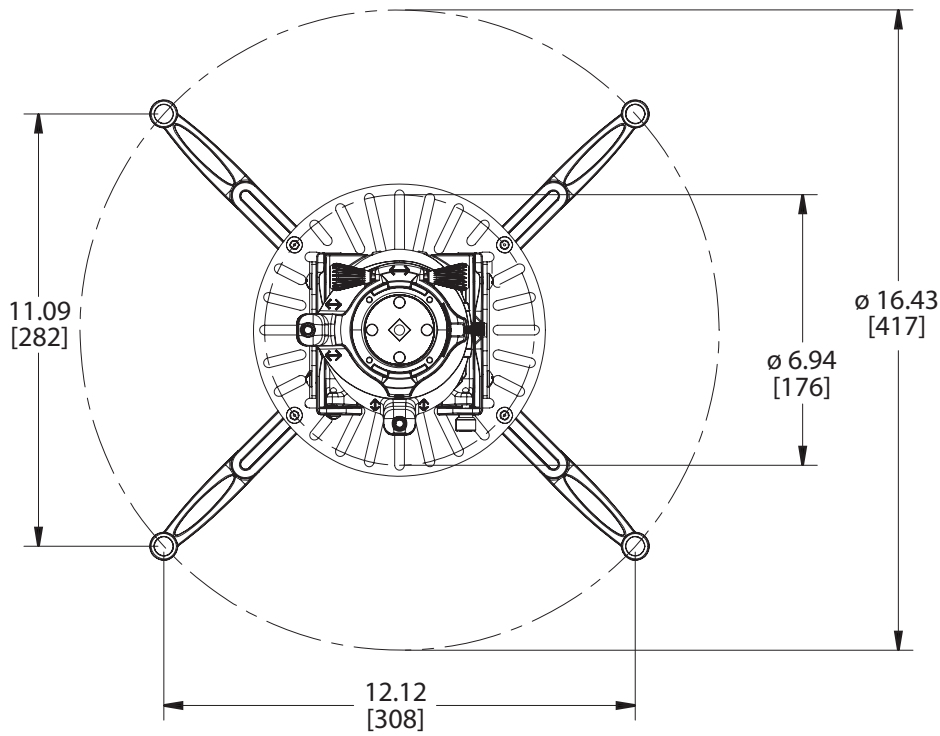






### Technical Specifications

All measurements are in inches [mm].





## Warranty

### PREMIER MOUNTS LIMITED LIFETIME WARRANTY

#### What and Who is Covered by this Limited Warranty and for How Long

Premier Mounts warrants this product to be free from defects in material and workmanship for the lifetime of the original owner of this product. The limited warranty is valid only for the original purchaser of the product.

#### What Premier Mounts Will Do

At the sole option of Premier Mounts, Premier Mounts will repair or replace any product or product part that is defective. If Premier Mounts chooses to replace a defective product or part, a replacement product or part will be shipped to you at no charge, but you must pay any labor costs.

#### What is Not Covered; Limitations

PREMIER MOUNTS DISCLAIMS ANY LIABILITY FOR DAMAGE TO MOUNTS, ADAPTERS, DISPLAYS, PROJECTORS, OTHER PROPERTY, OR PERSONAL INJURY RESULTING, IN WHOLE OR IN PART, FROM IMPROPER INSTALLATION, MODIFICATION, USE OR MISUSE OF ITS PRODUCTS.

PREMIER MOUNTS DISCLAIMS ALL OTHER WARRANTIES, EXPRESS OR IMPLIED, INCLUDING WARRANTIES OF MERCHANTABILITY AND FITNESS FOR A PARTICULAR PURPOSE. PREMIER MOUNTS IS NOT RESPONSIBLE FOR INCIDENTAL OR CONSEQUENTIAL DAMAGES, INCLUDING BUT NOT LIMITED TO, INABILITY TO USE ITS PRODUCTS OR LABOR COSTS FOR REMOVING AND REPLACING DEFECTIVE PRODUCTS OR PARTS. SOME STATES DO NOT ALLOW THE EXCLUSION OR LIMITATION OF INCIDENTAL OR CONSEQUENTIAL DAMAGES, SO THE ABOVE LIMITATION OR EXCLUSION MAY NOT APPLY TO YOU.

#### What Customers Must Do for Limited Warranty Service

If you discover a problem that you think may be covered by the warranty you MUST REPORT it in writing to the address below within thirty (30) days. Proof of purchase (an original sales receipt) from the original consumer purchaser must accompany all warranty claims. Warranty claims must also include a description of the problem, the purchaser's name, address, and telephone number. General inquiries can be addressed to Premier Mounts Customer Service at 1-800-368-9700. Warranty claims will not be accepted over the phone or by fax.

Premier Mounts  
Attn: Warranty Claim  
1321 S. State College Blvd.  
Fullerton, CA 92831

#### How State Law Applies

THIS WARRANTY GIVES YOU SPECIFIC LEGAL RIGHTS, AND YOU MAY ALSO HAVE OTHER RIGHTS WHICH VARY FROM STATE TO STATE.

205 Westwood Ave, Long Branch, NJ 07740  
Phone: 866-94 BOARDS (26273) / (732)-222-1511  
Fax: (732)-222-7088 | E-mail: sales@touchboards.com

## Disclaimer

Premier Mounts intends to make this manual accurate and complete. However, Premier Mounts makes no claim that the information contained herein covers all details, conditions or variations, nor does it provide for every possible contingency in connection with the installation or use of this product. The information contained in this document is subject to change without notice or obligation of any kind. Premier Mounts makes no representation of warranty, expressed or implied, regarding the information contained herein. Premier Mounts assumes no responsibility for accuracy, completeness or sufficiency of the information contained in this document.