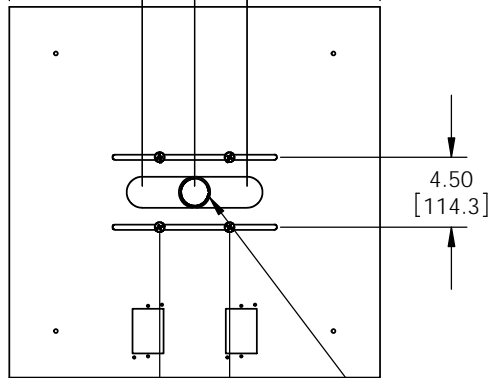
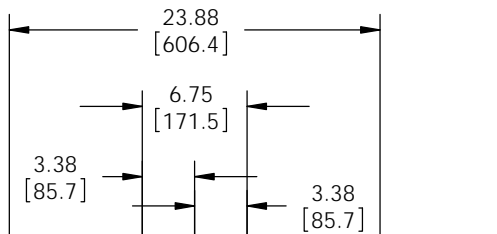
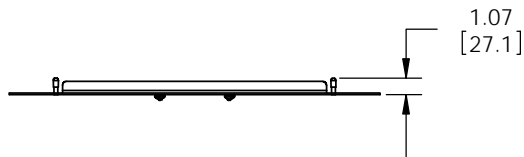
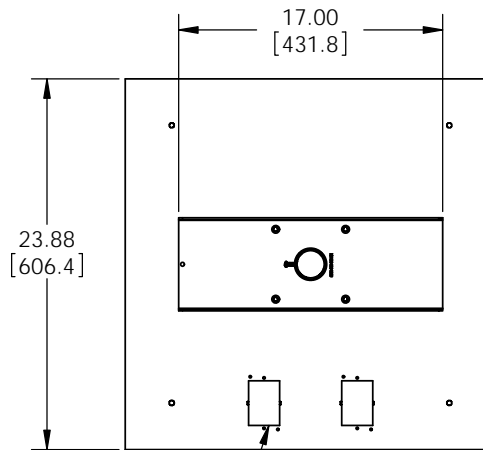
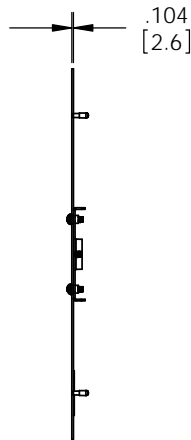


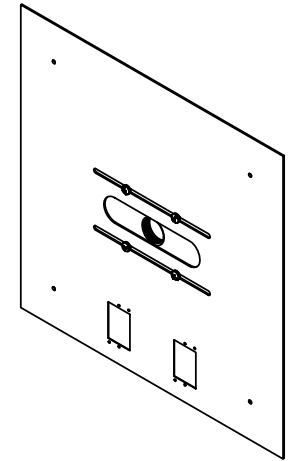
THE INFORMATION CONTAINED IN THIS DRAWING IS THE SOLE PROPERTY OF PREMIER MOUNTS DIVISION OF <PMPI>. ANY REPRODUCTION IN PART OR WHOLE WITHOUT THE WRITTEN PERMISSION OF PREMIER MOUNTS DIVISION OF <PMPI> IS PROHIBITED.



4.50 [114.3]
1.5" NPT PIPE THREADS (ADJUSTABLE)




(2 POWER KNOCK OUTS)



MOUNTS.COM

WEIGHT CAPACITY: 50 LBS
DIMENSIONS ARE IN INCH AND [MM]

 PREMIER MOUNTS <small>THE ORIGINAL MOUNT COMPANY</small>	
1321 South State College Blvd Fullerton Ca, 92831 P. 800.368.9700 - F. 800.832.4888	
ITEM DESCRIPTION:	
FULL-TILE FALSE CEILING ADAPTER	
SIZE	DWG. NO.
B	PP-FCMA
SCALE: 1:8	
SHEET 1 OF 1	