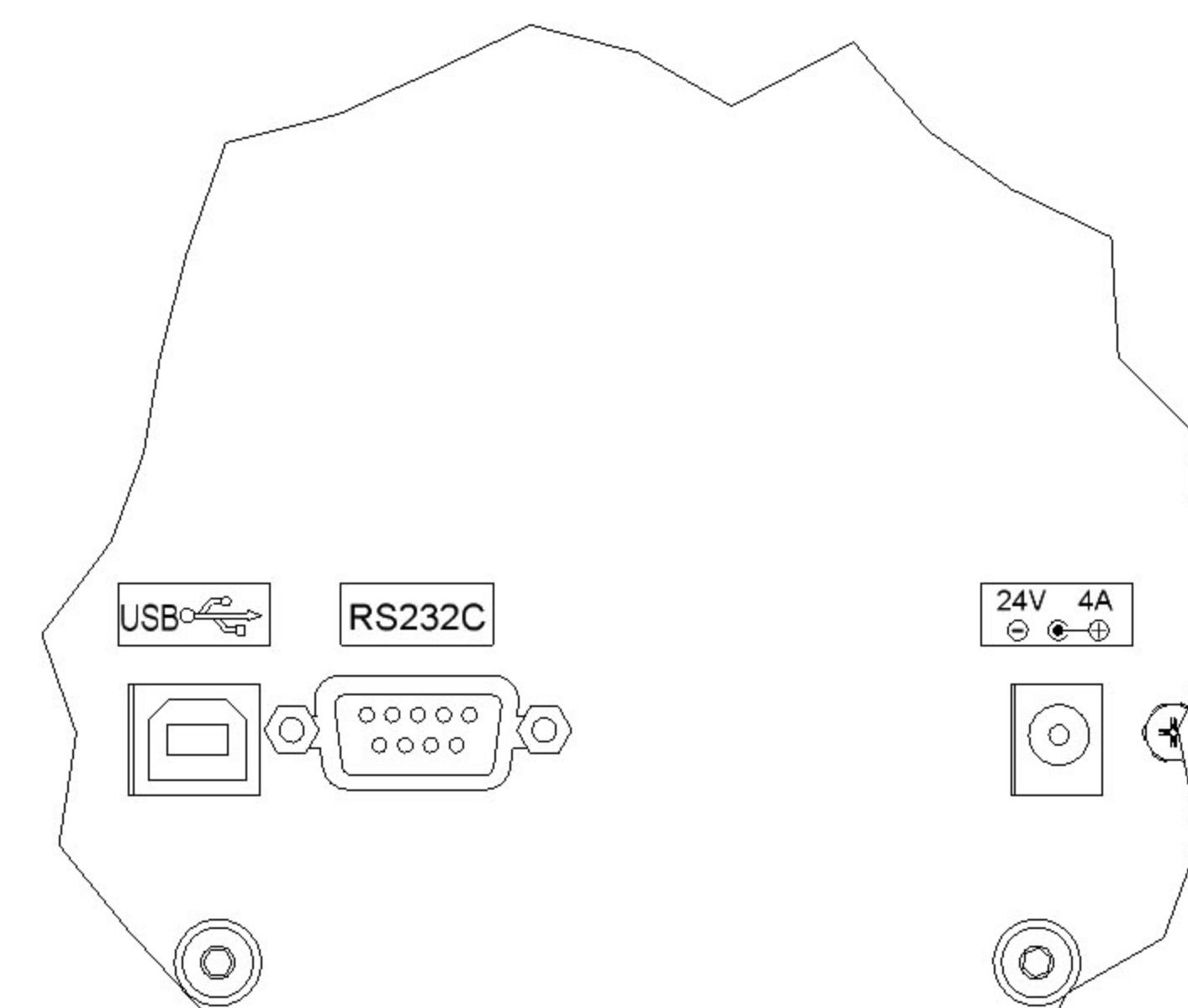
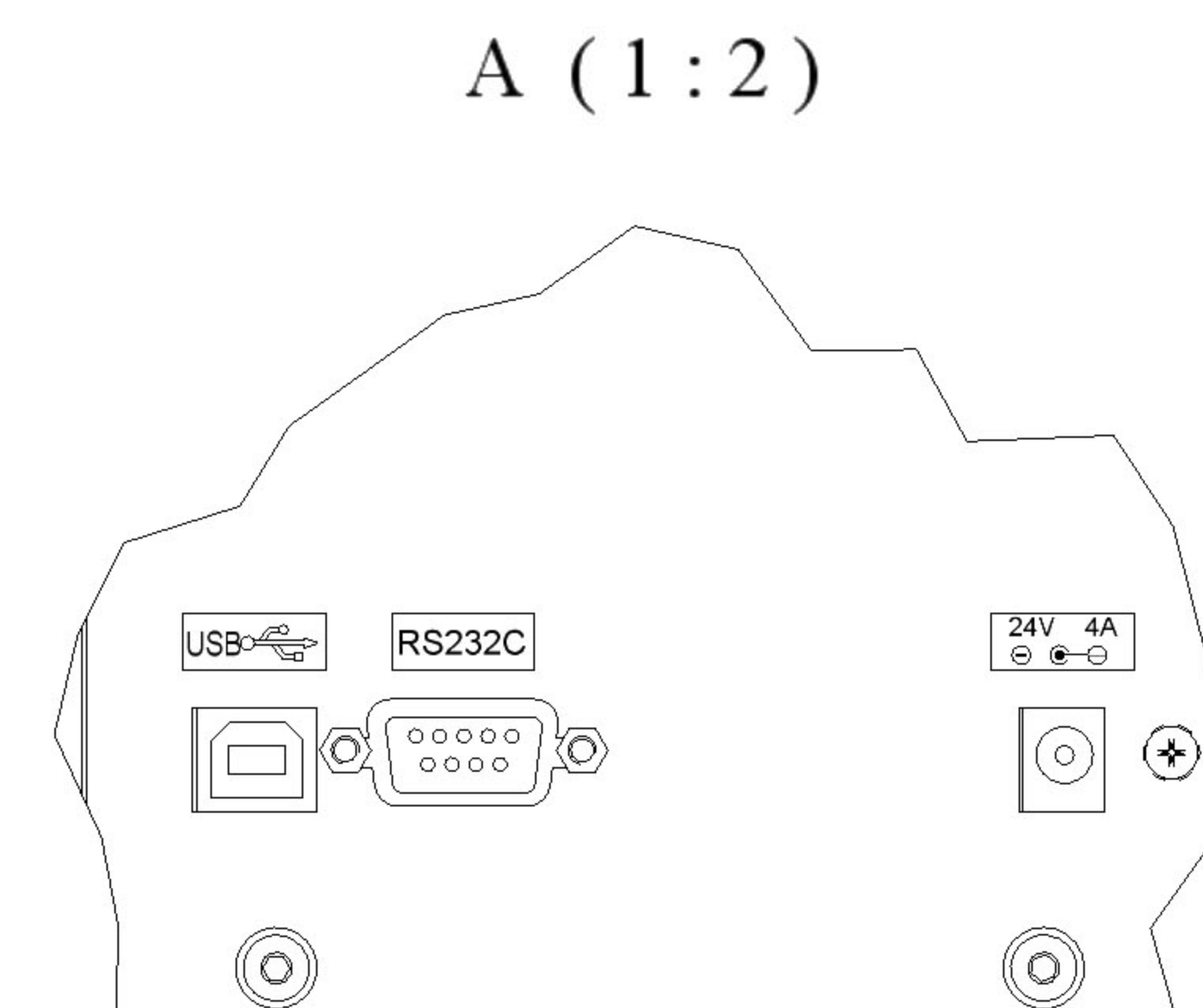
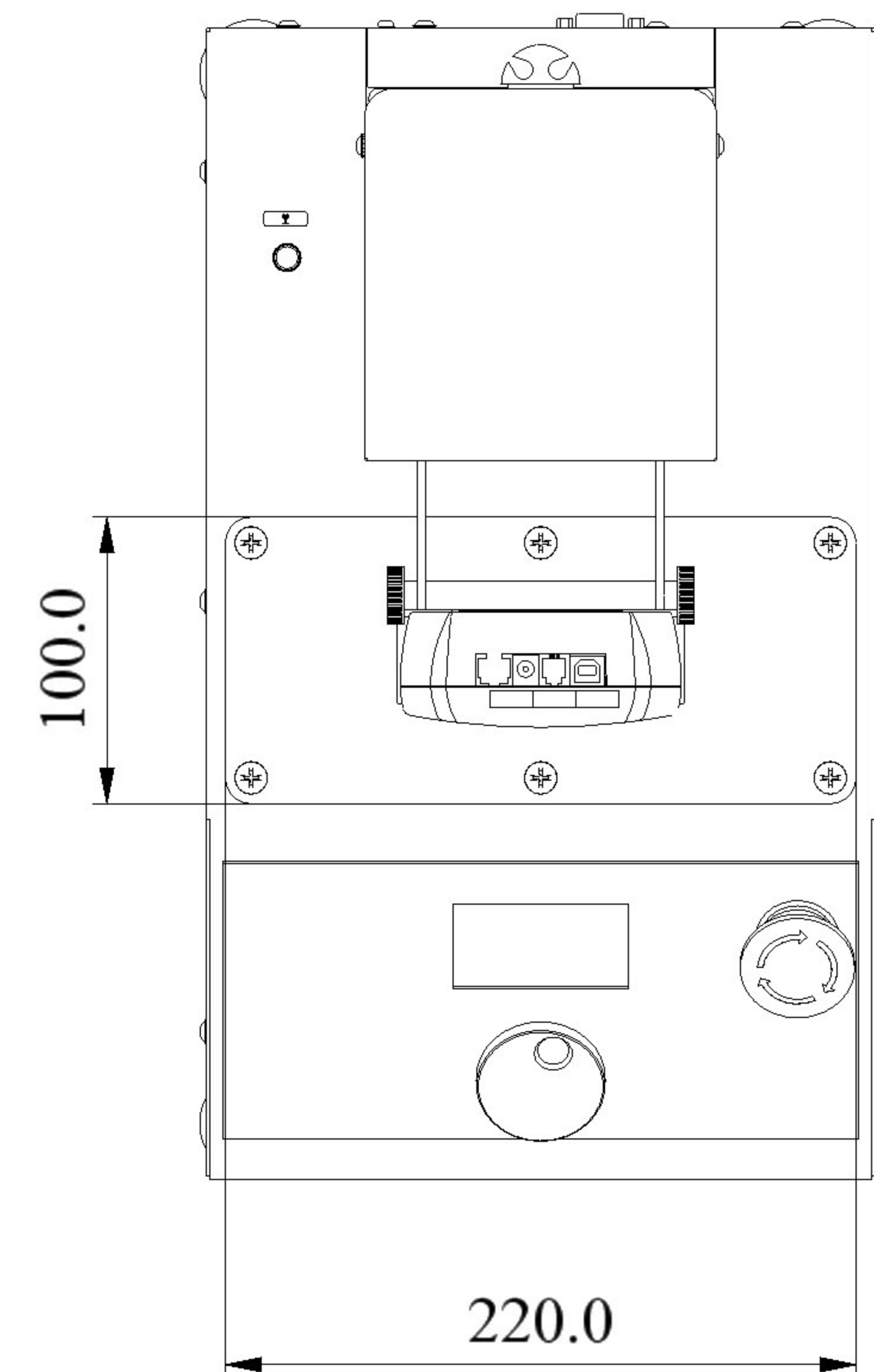
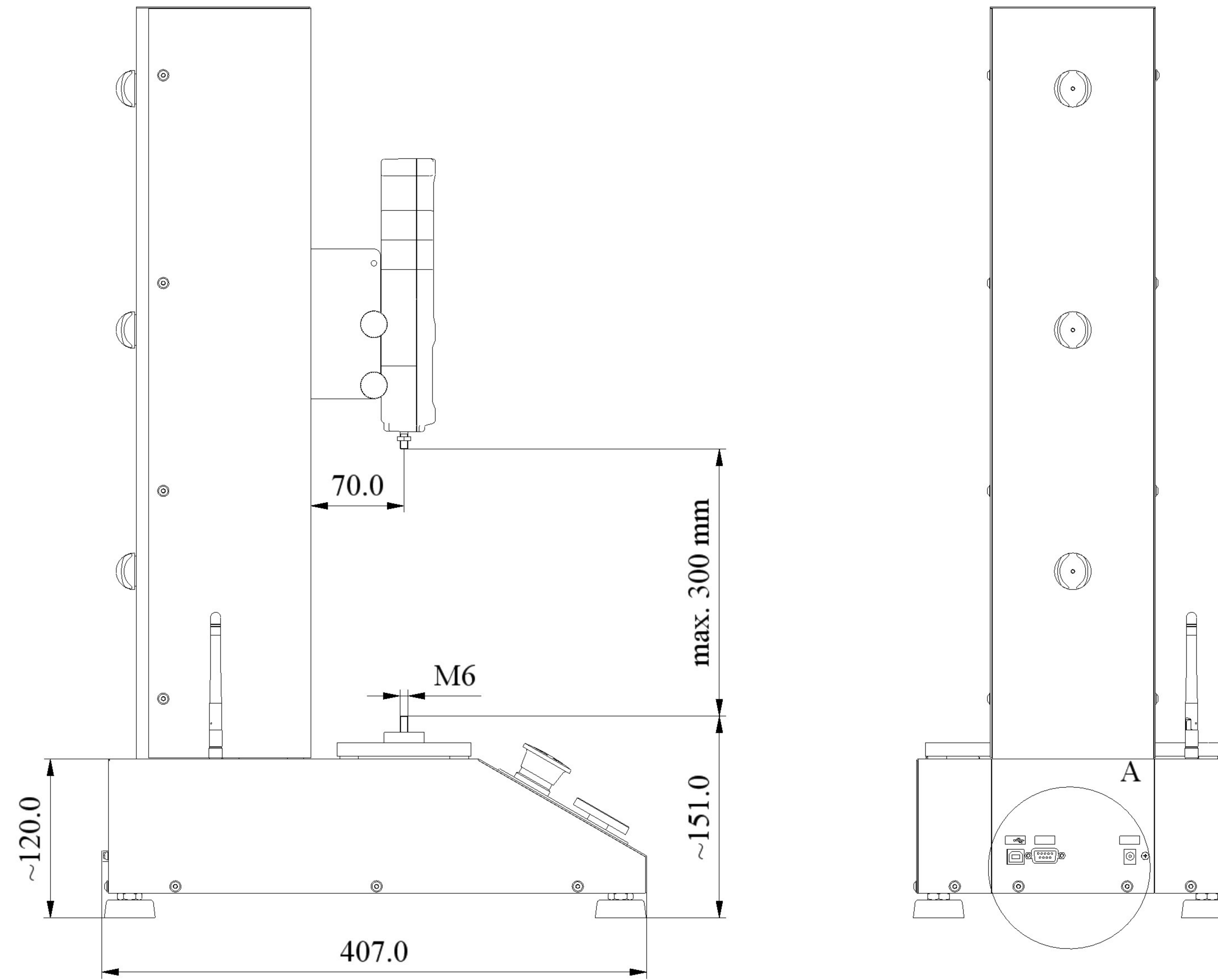
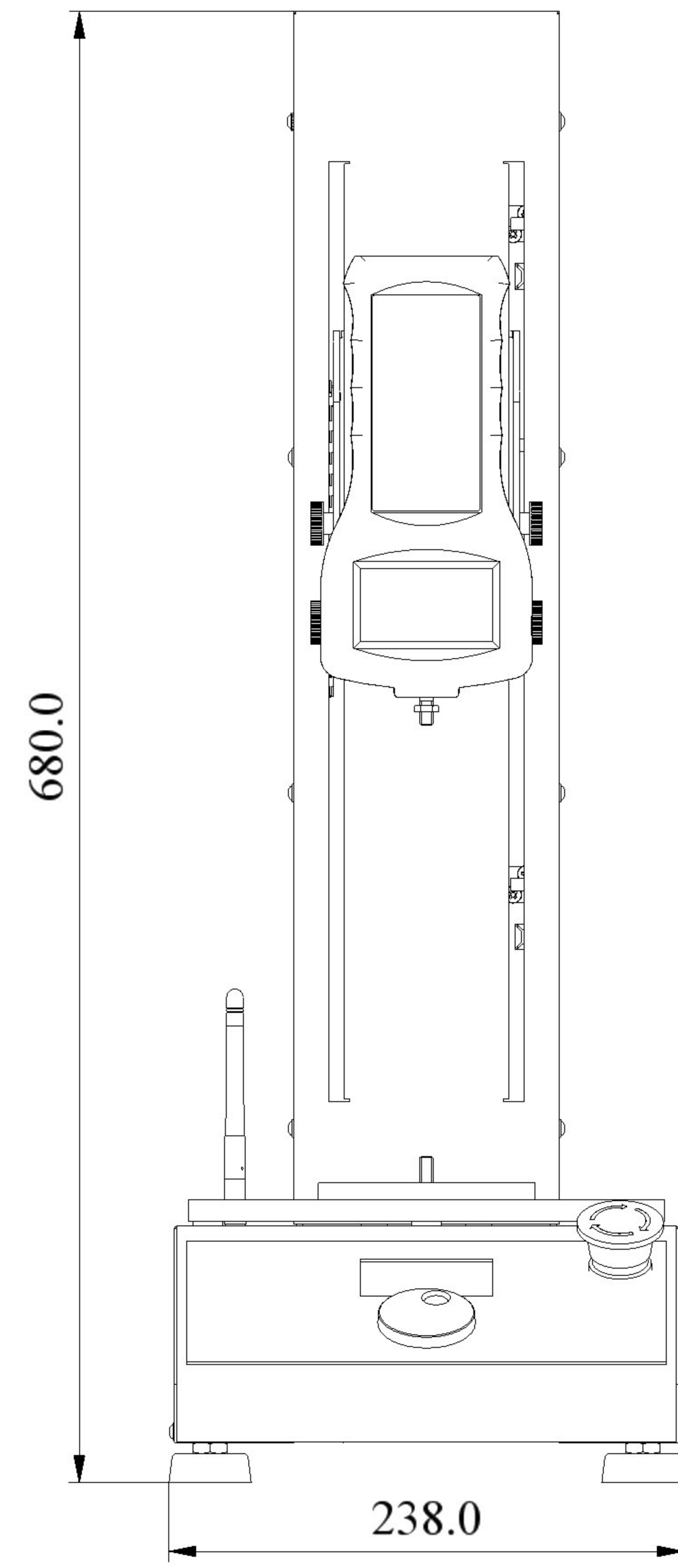


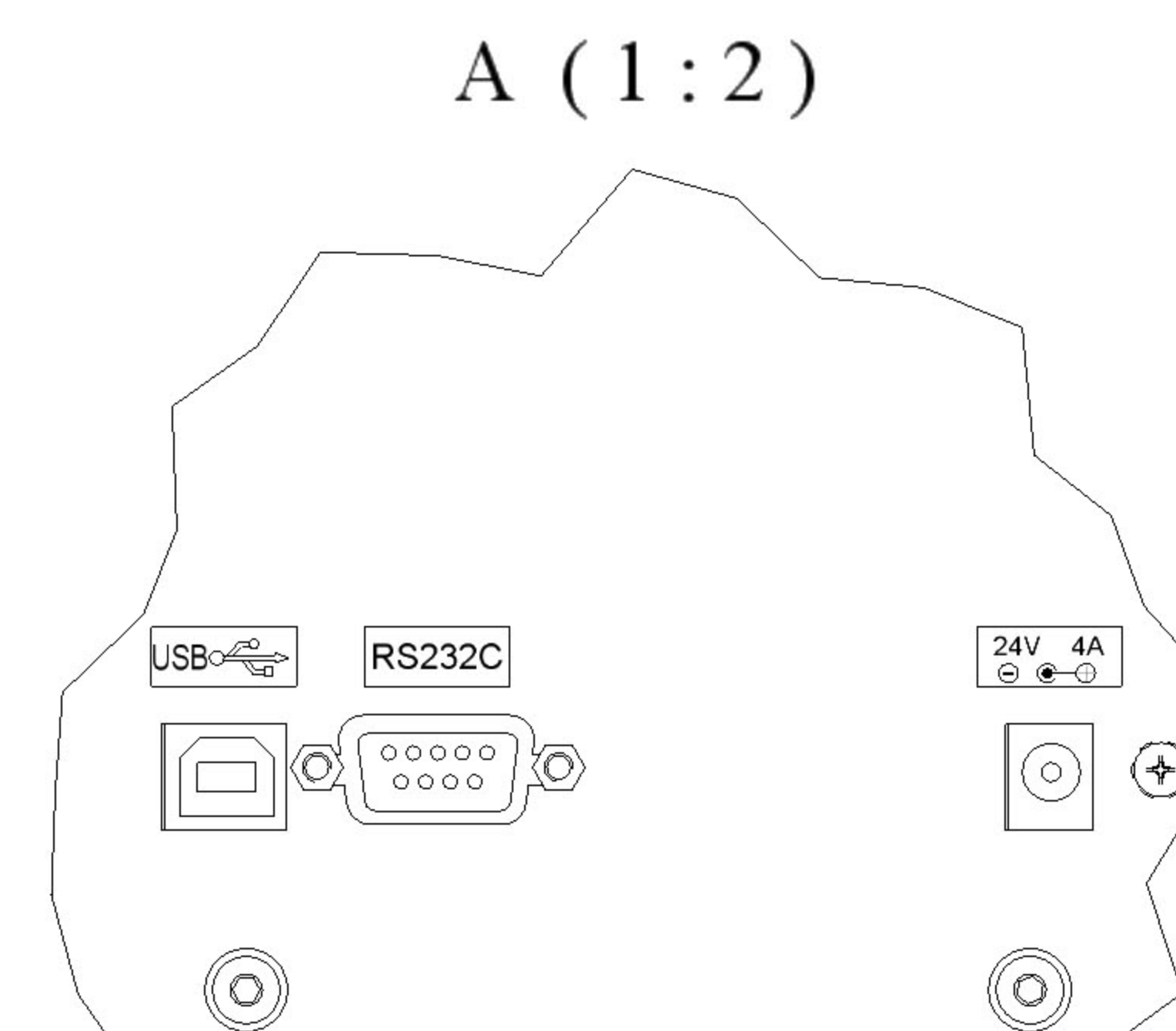
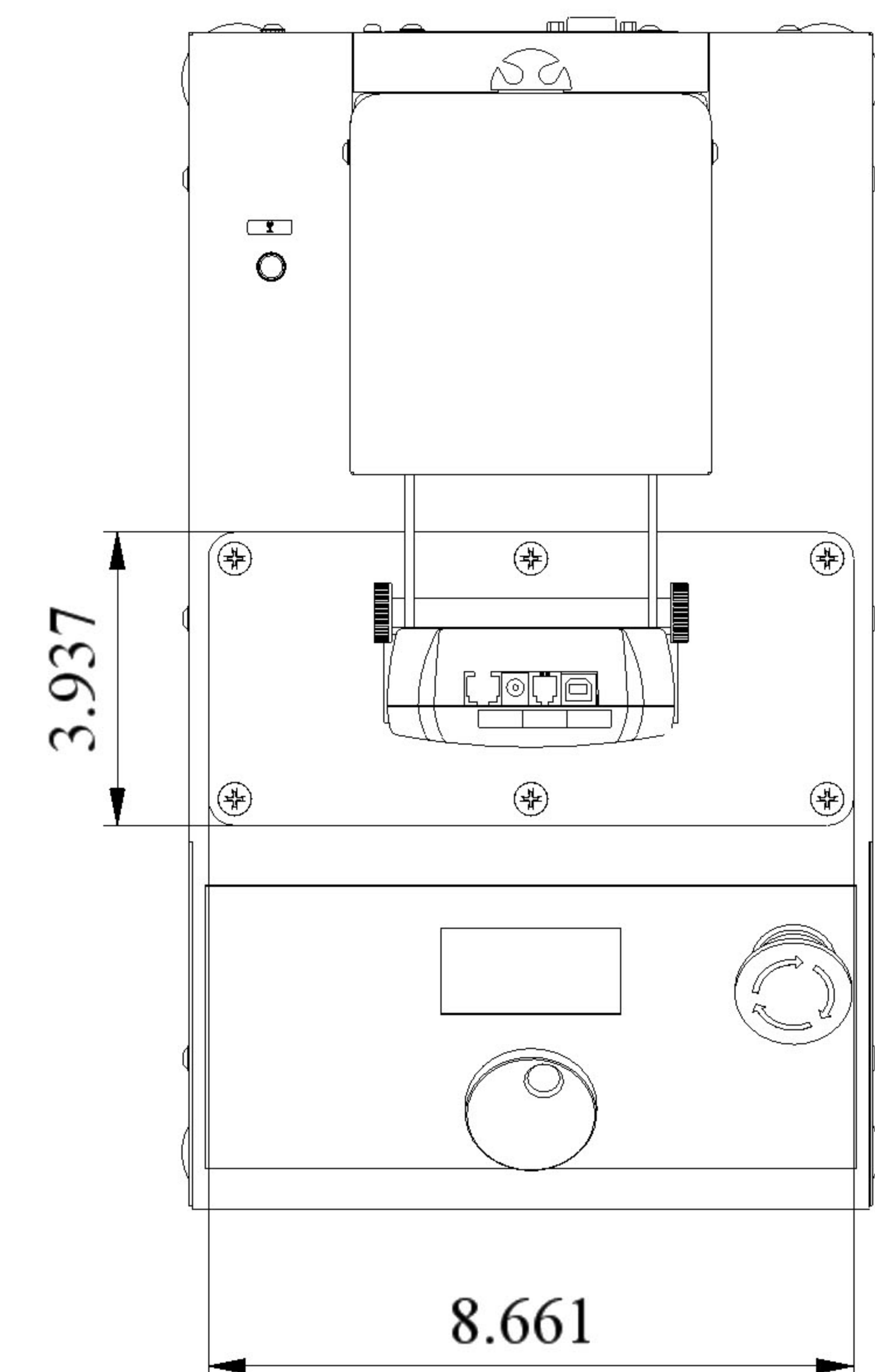
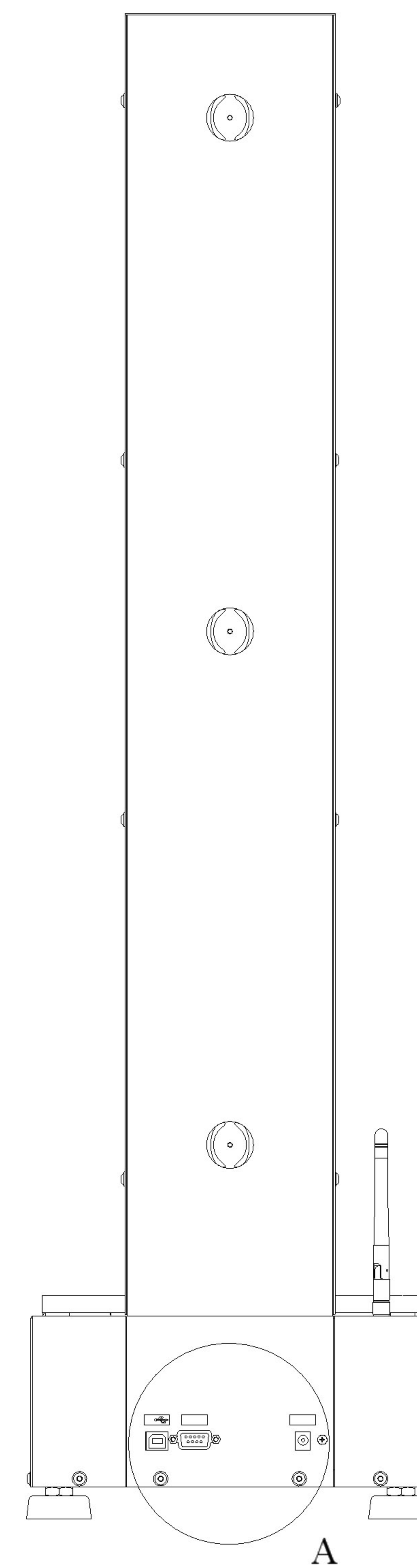
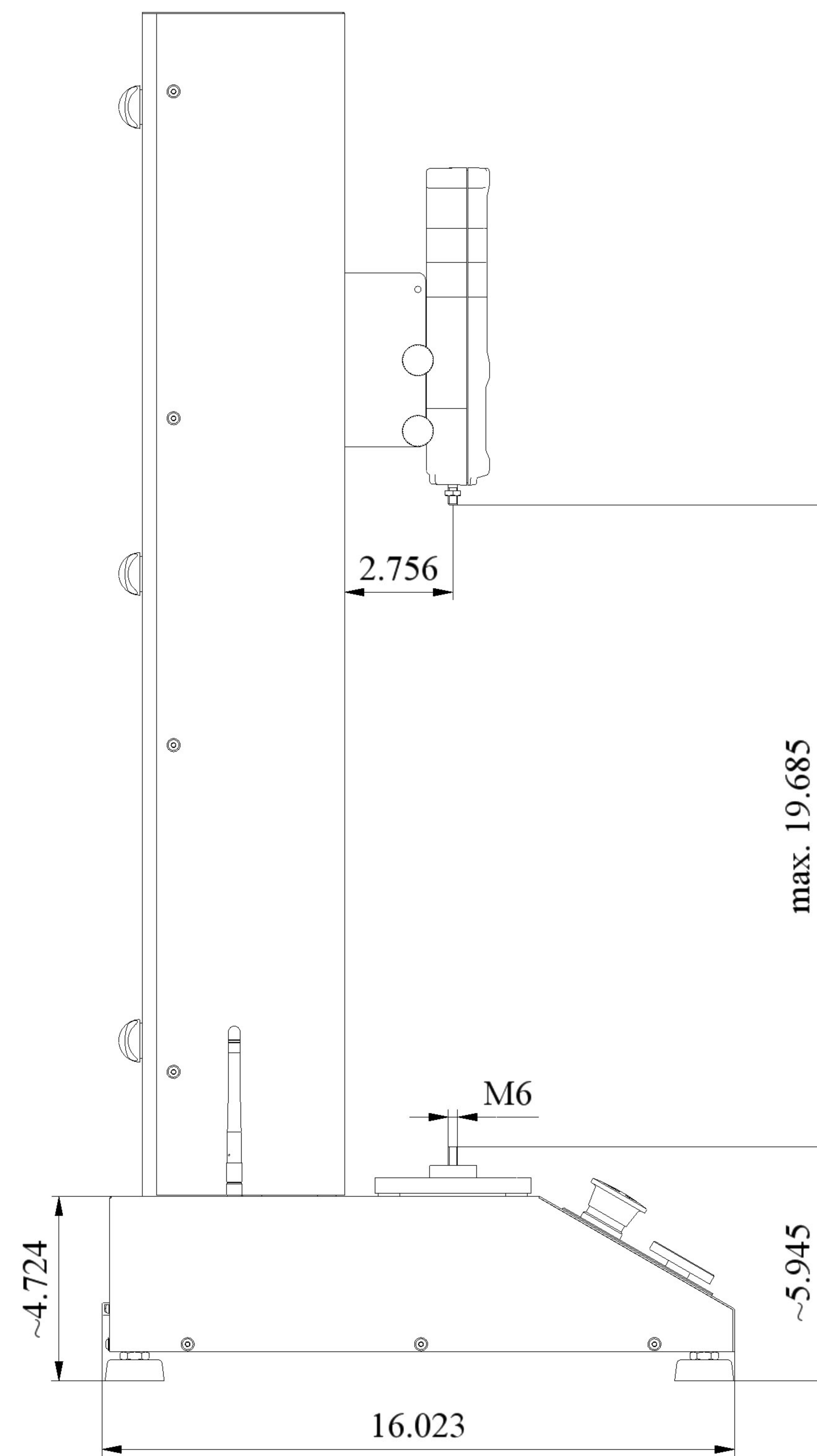
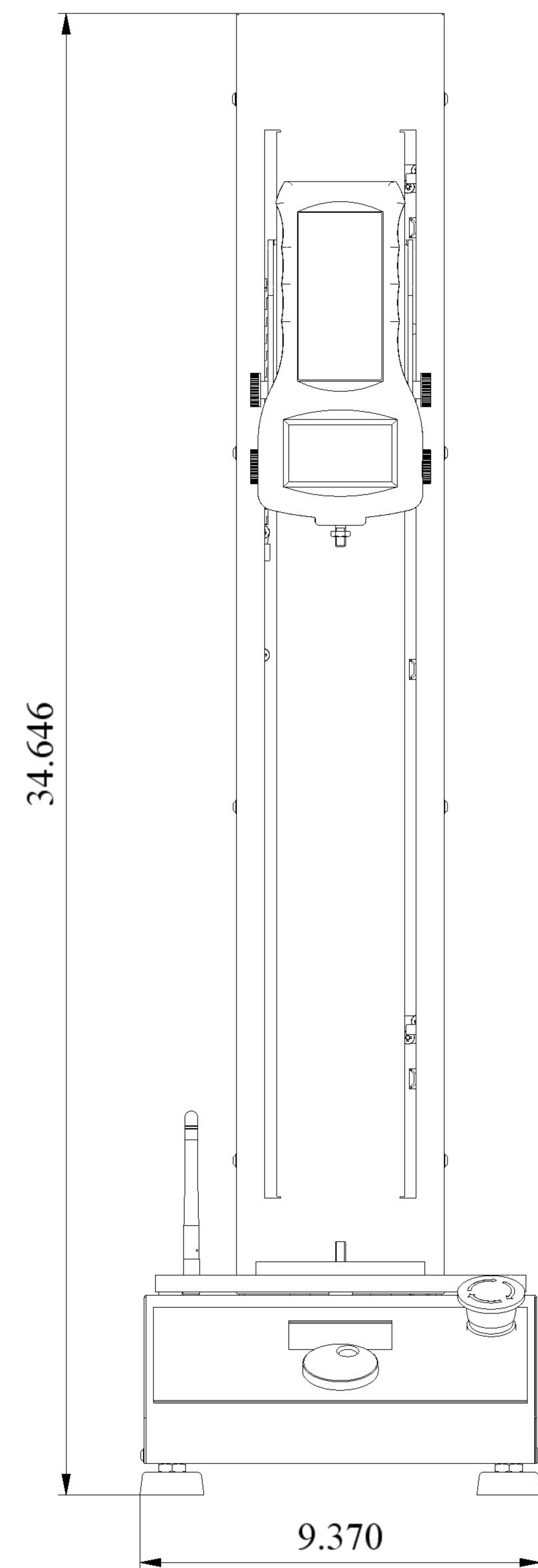
A (1:2)



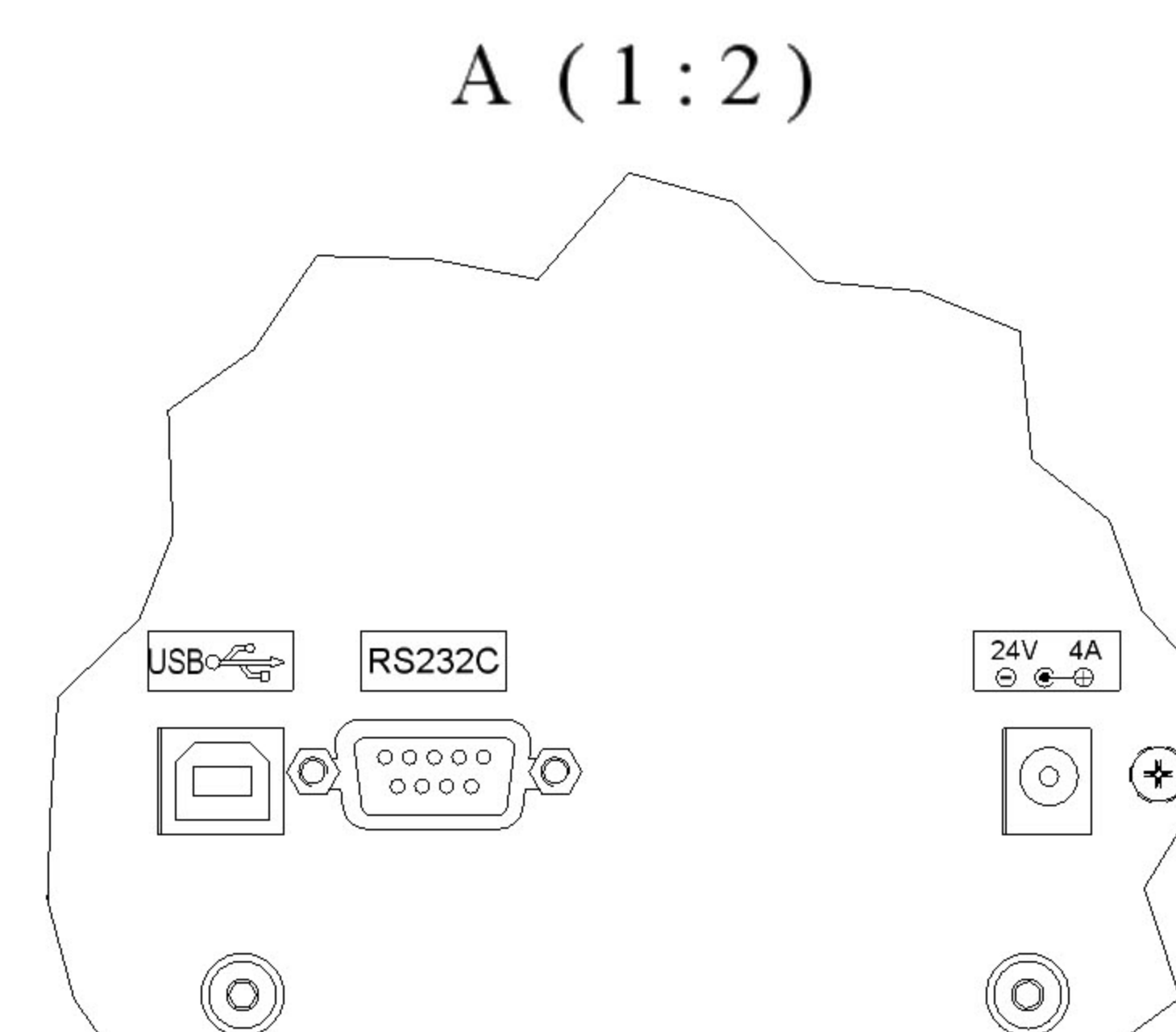
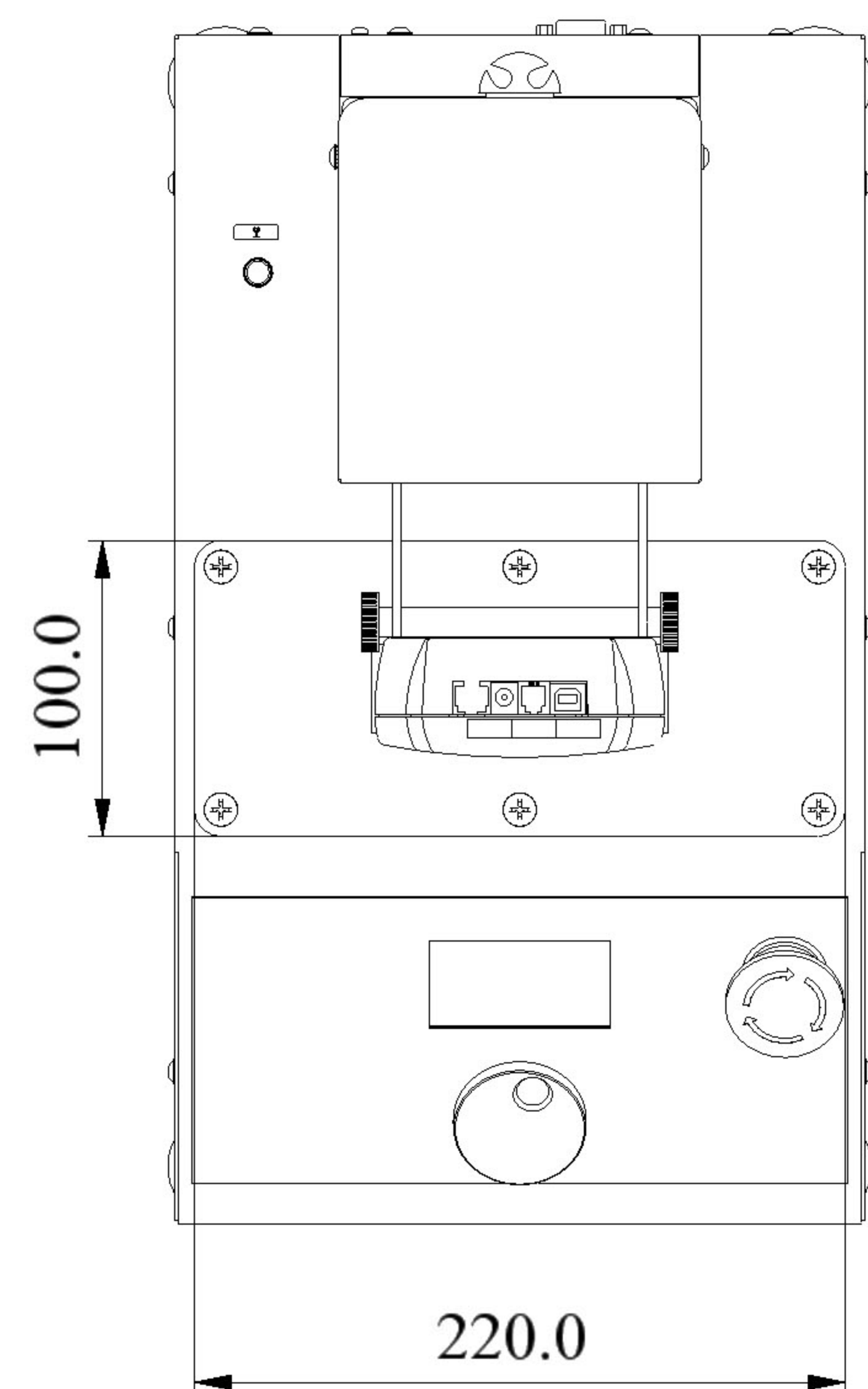
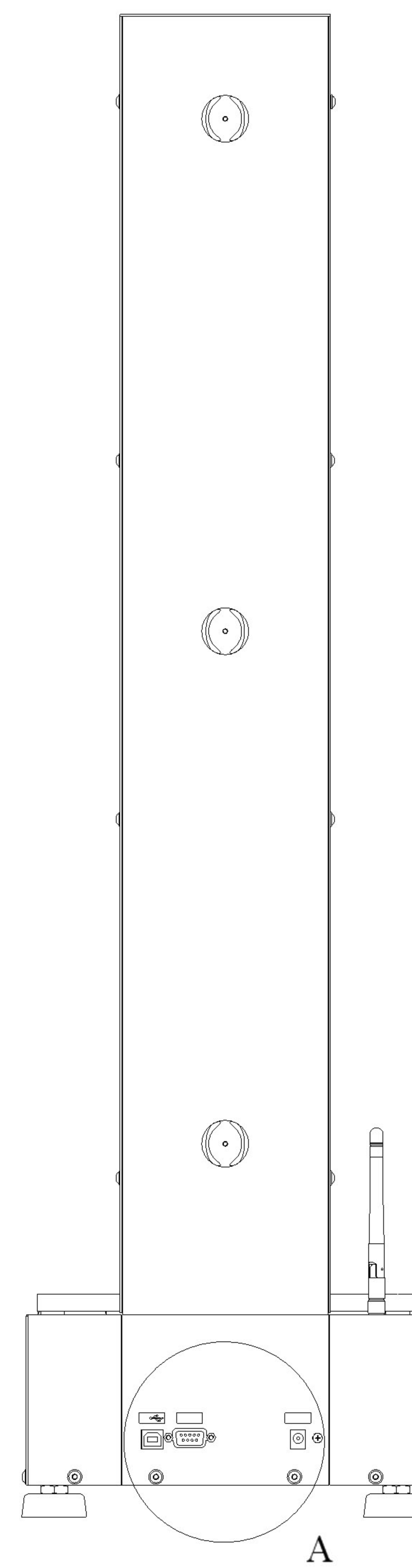
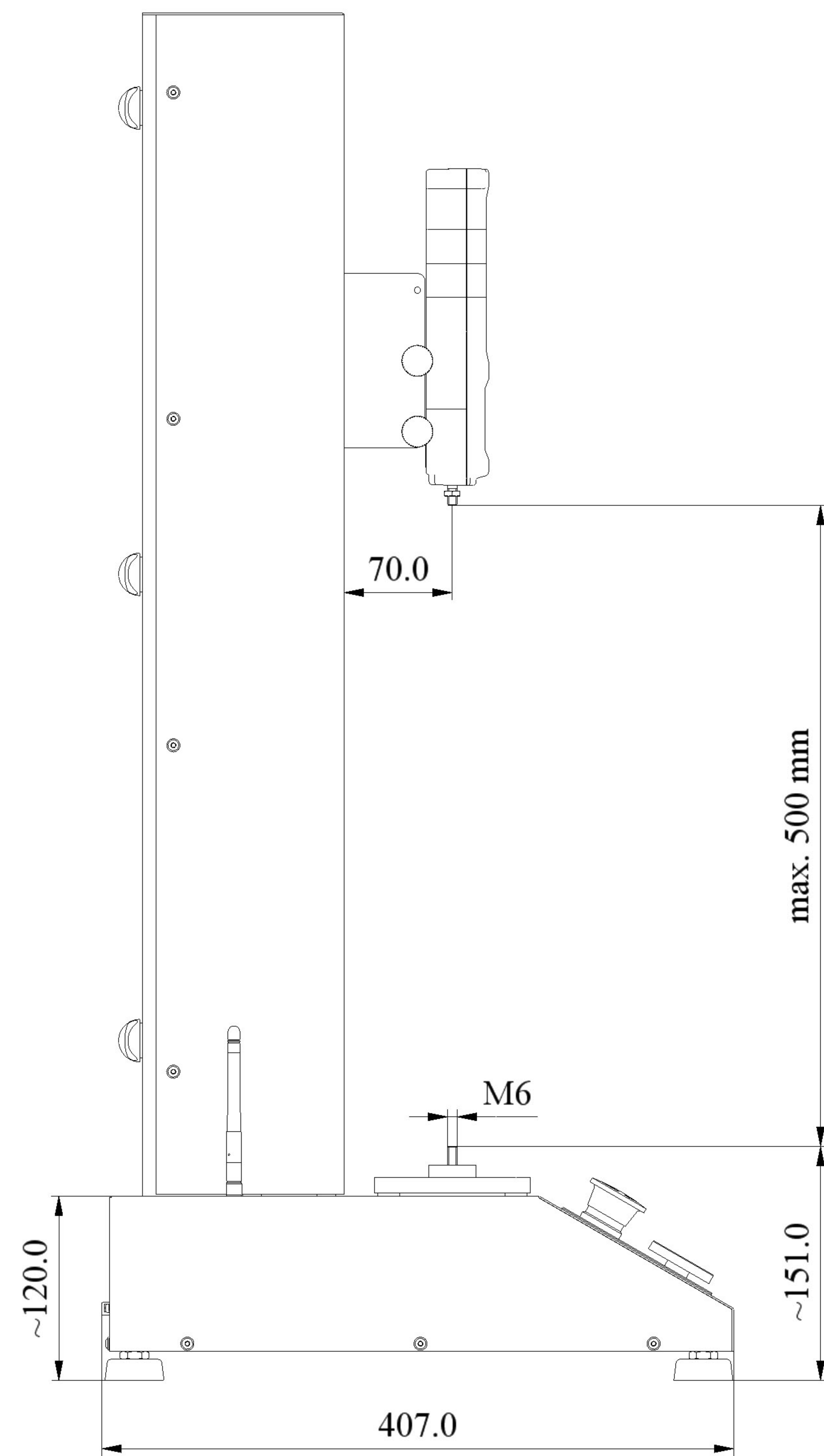
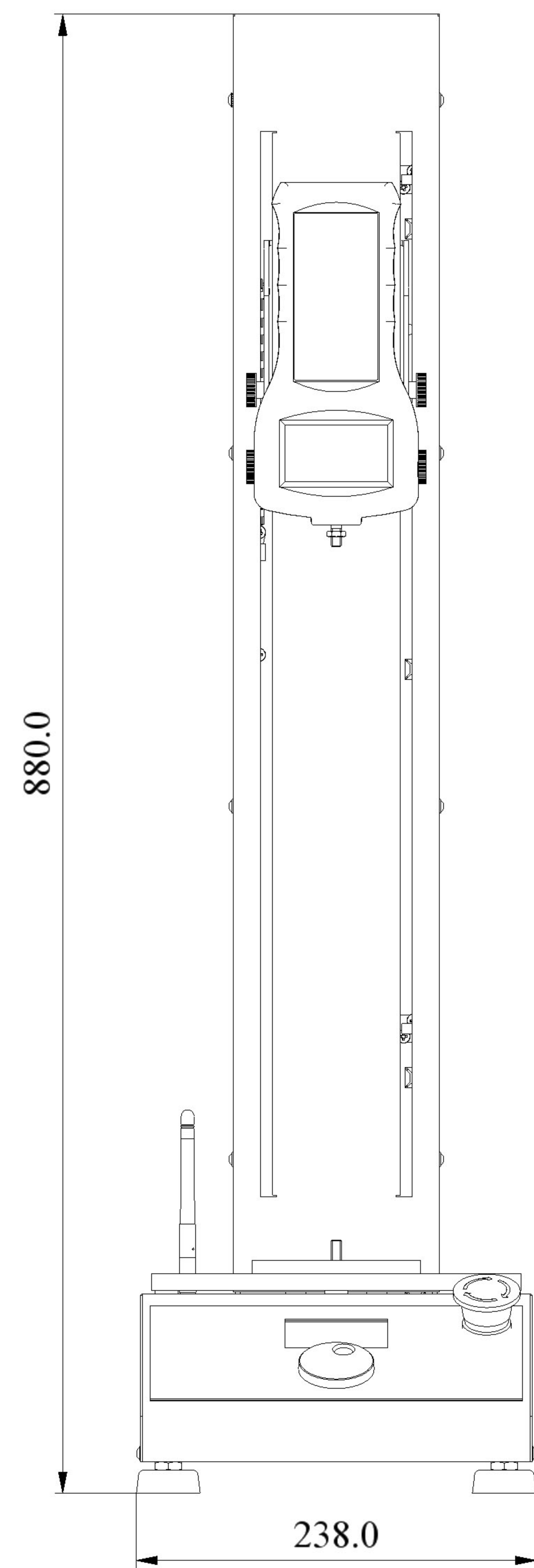
FTV100 VERTICAL
(IMPERIAL)



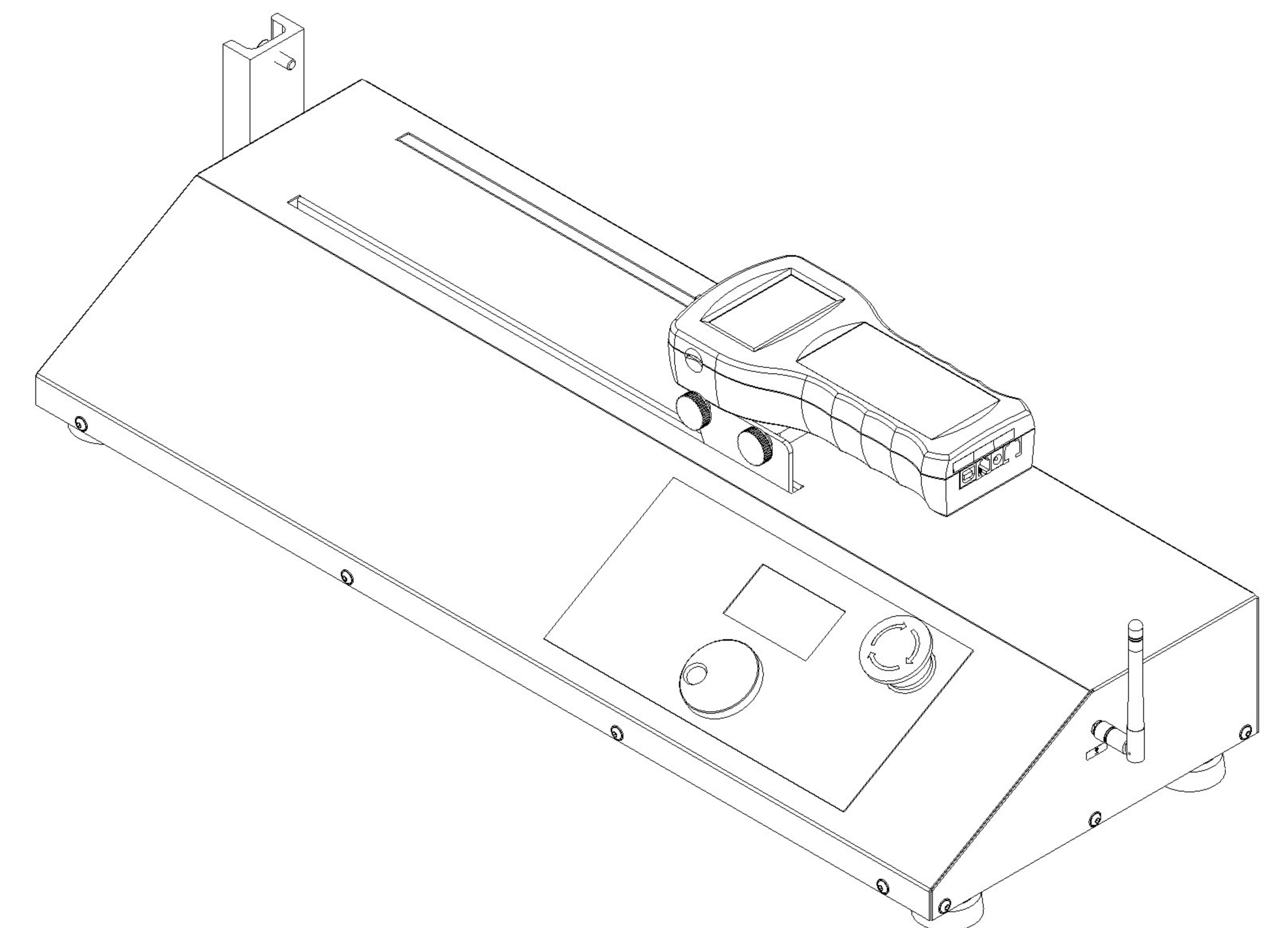
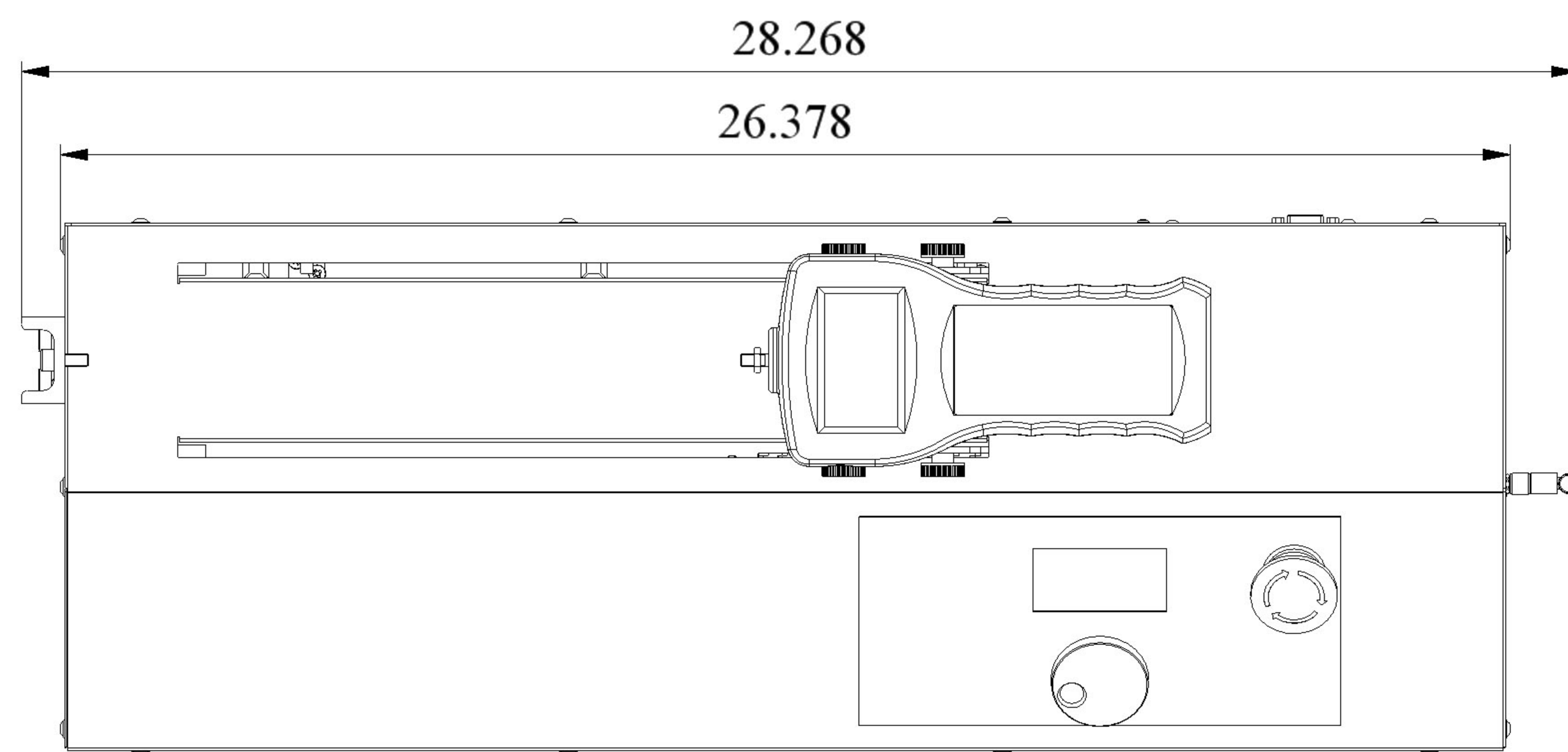
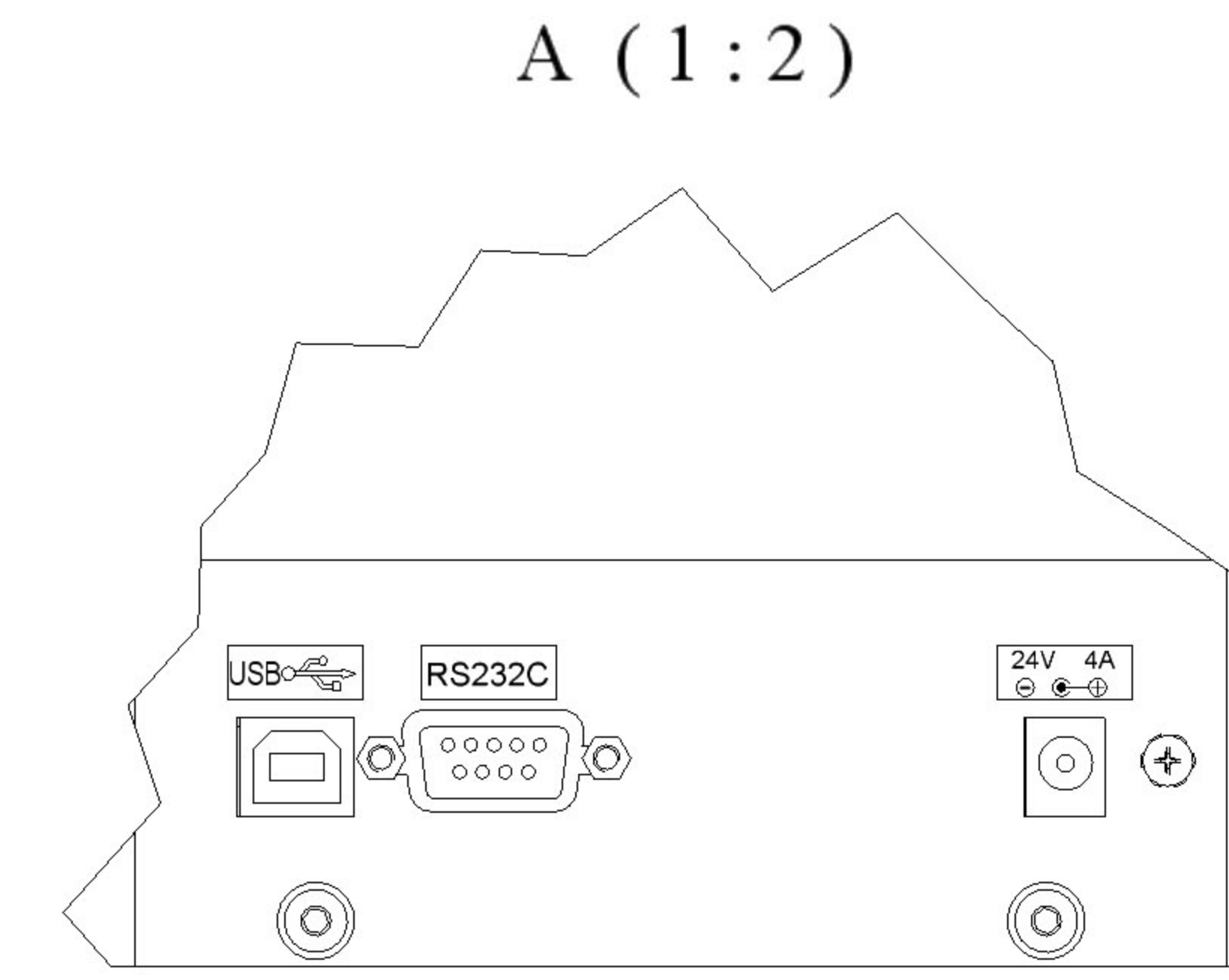
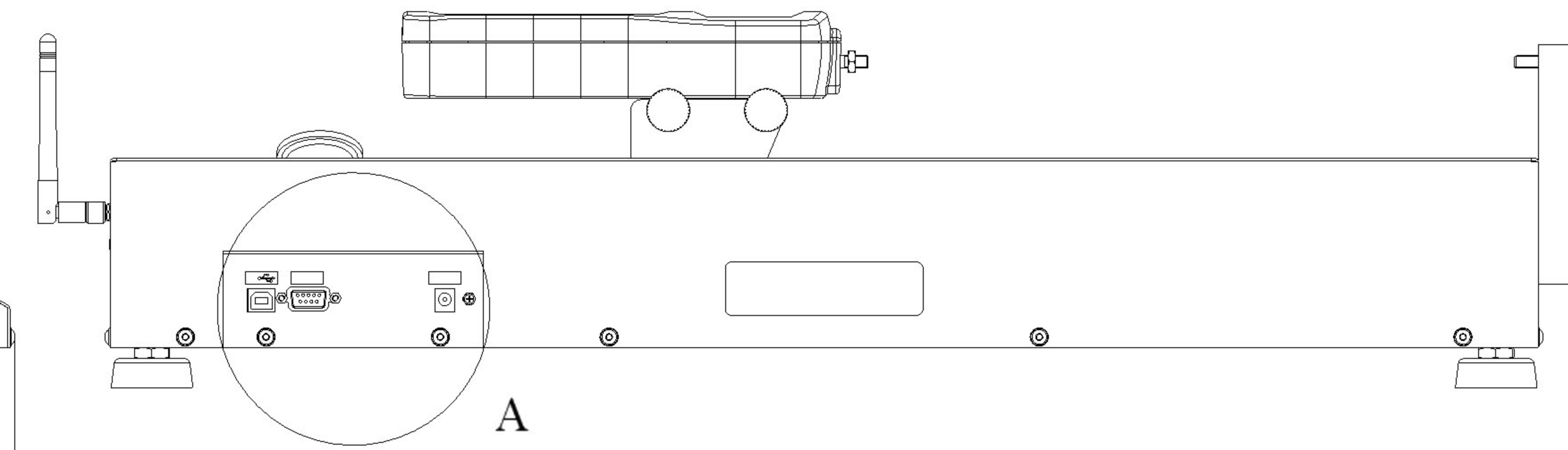
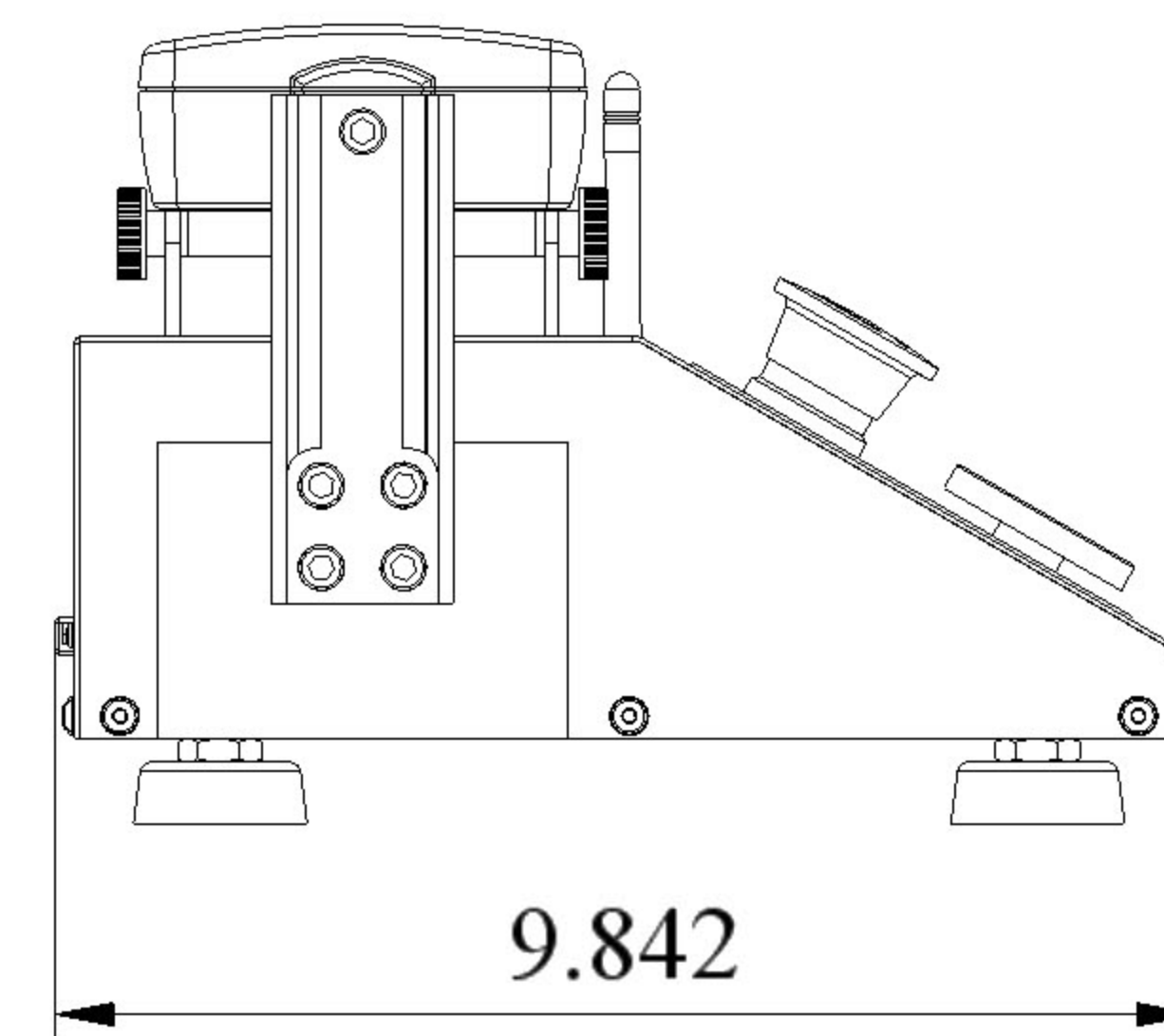
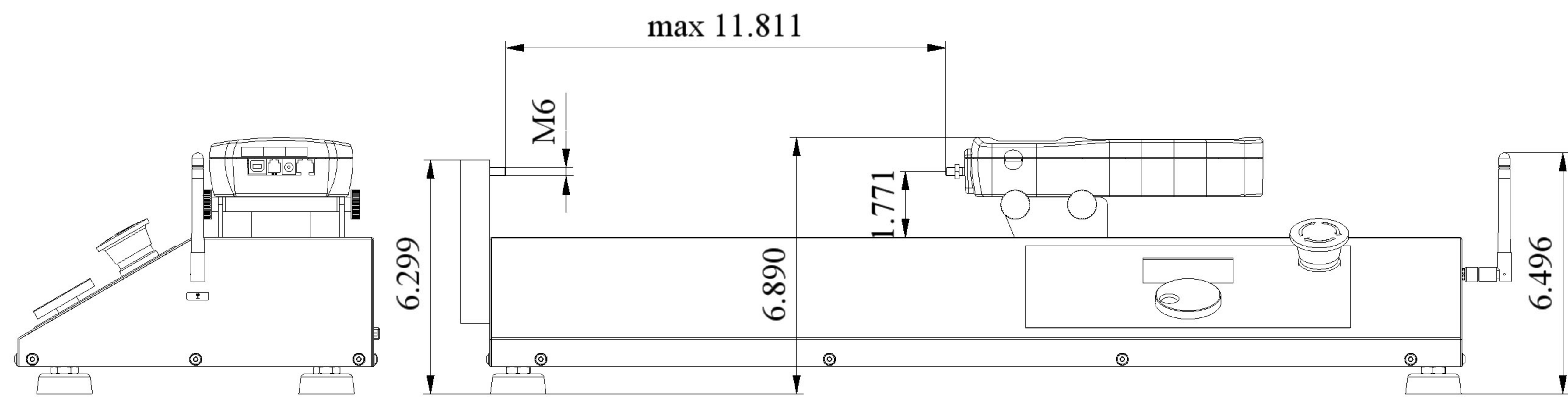
FTV100 VERTICAL
(METRIC)



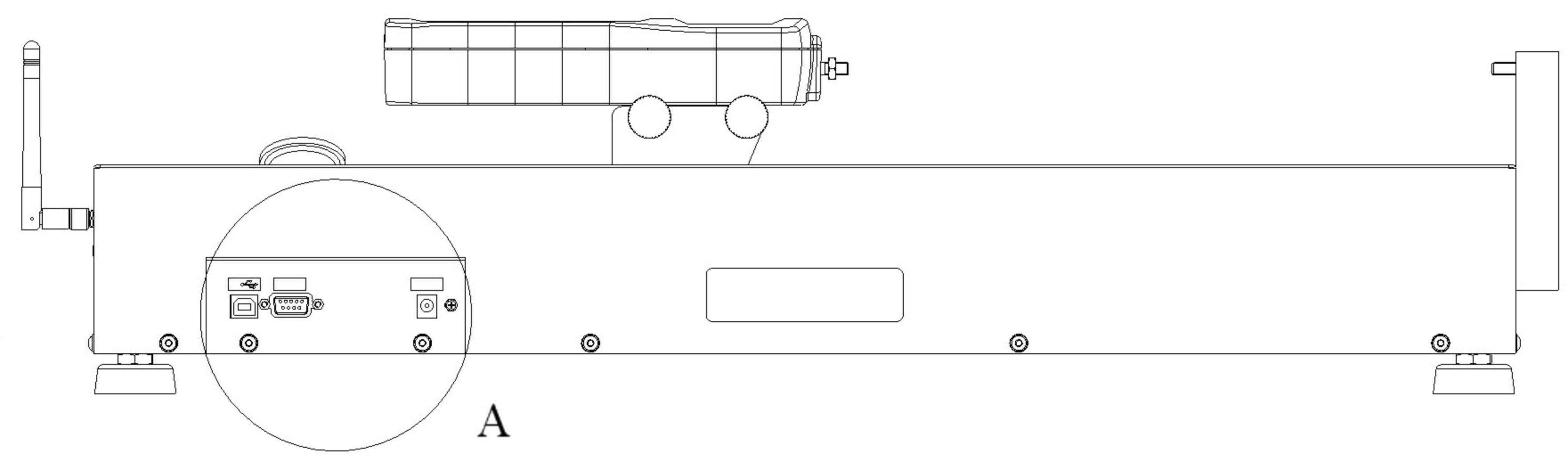
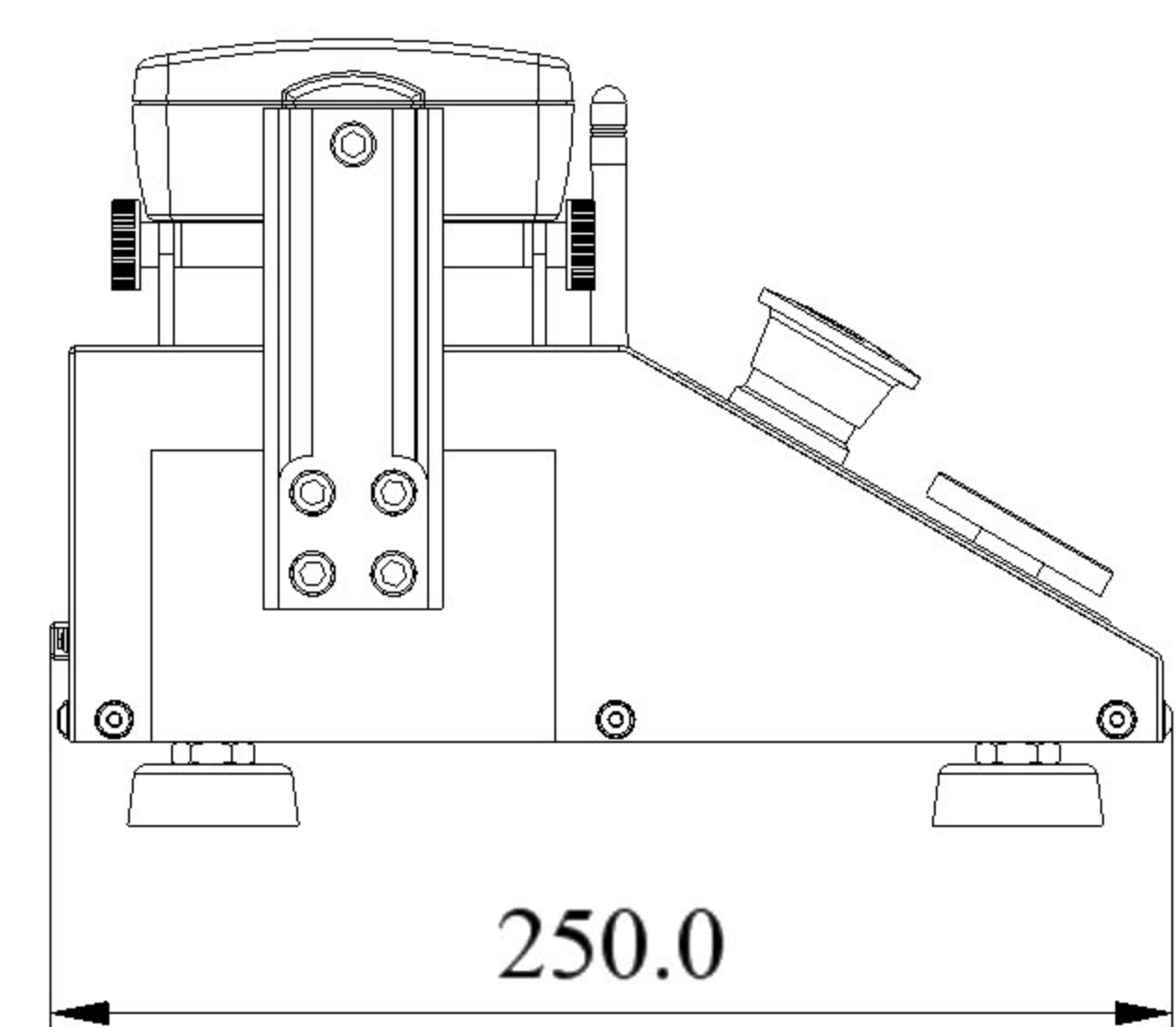
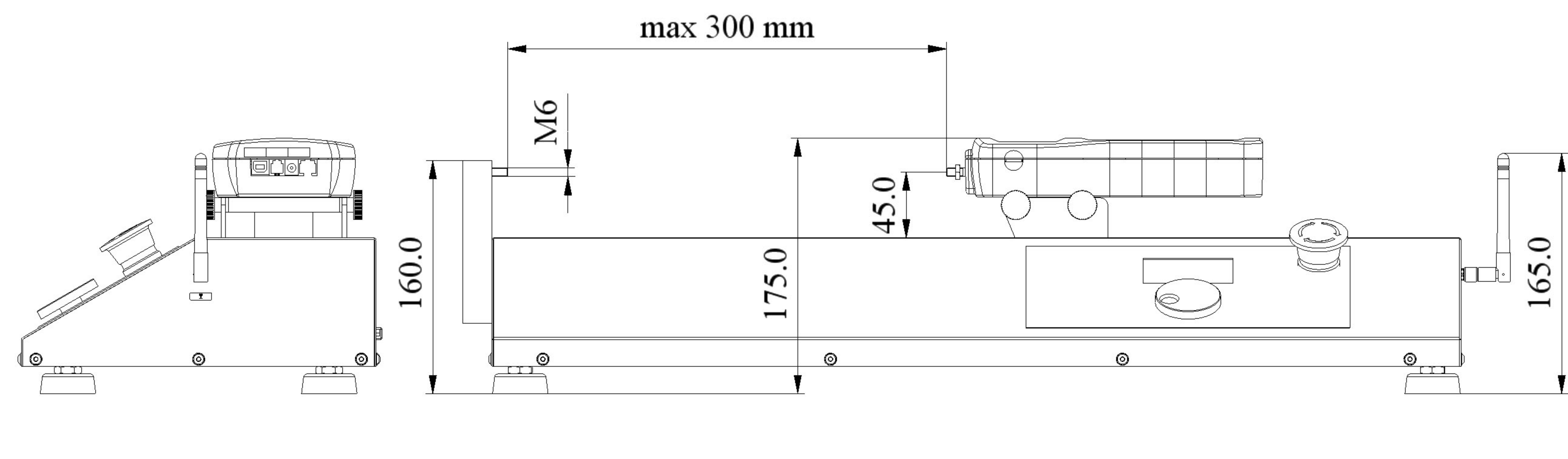
FTV100L VERTICAL
(IMPERIAL)



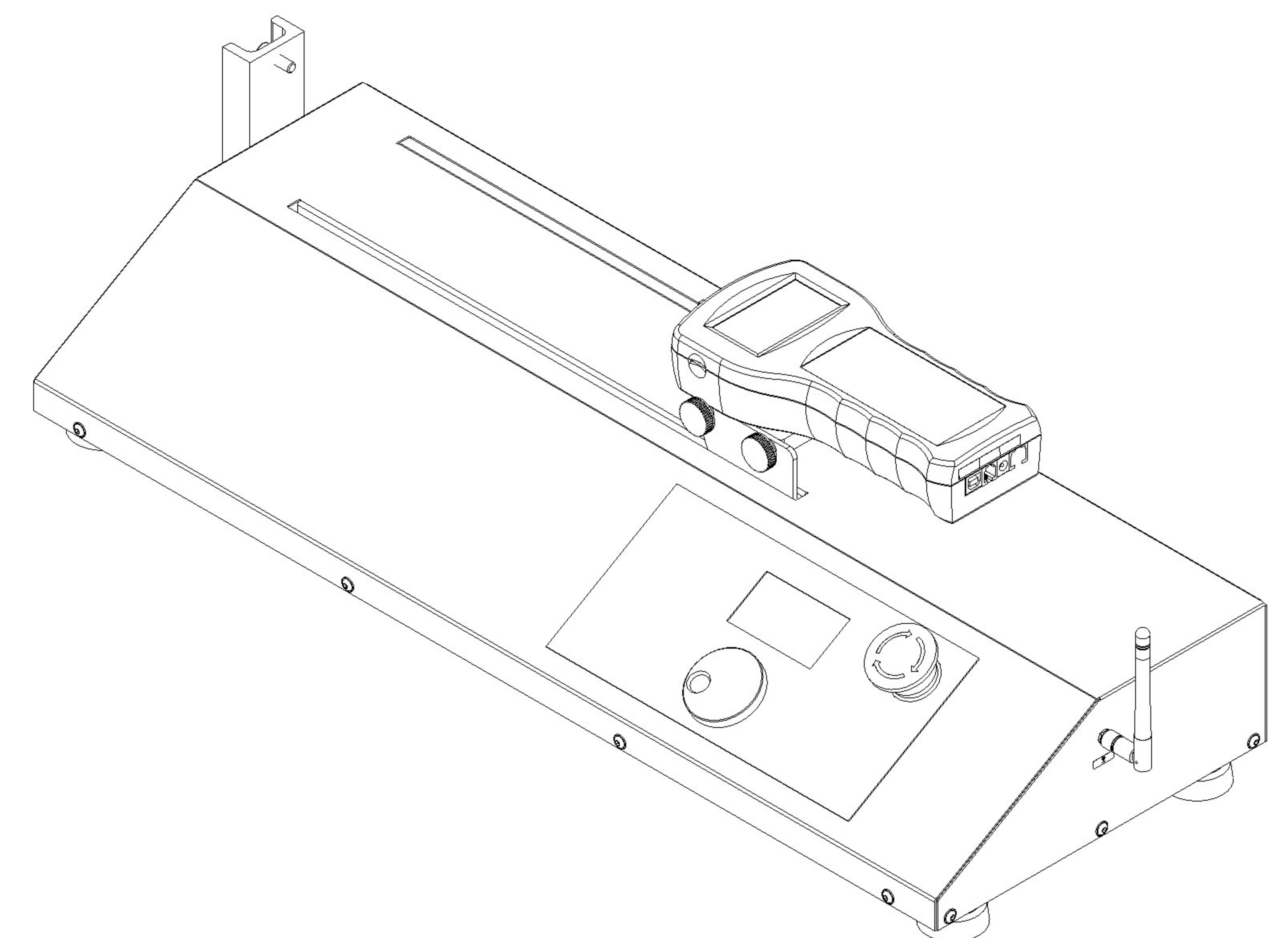
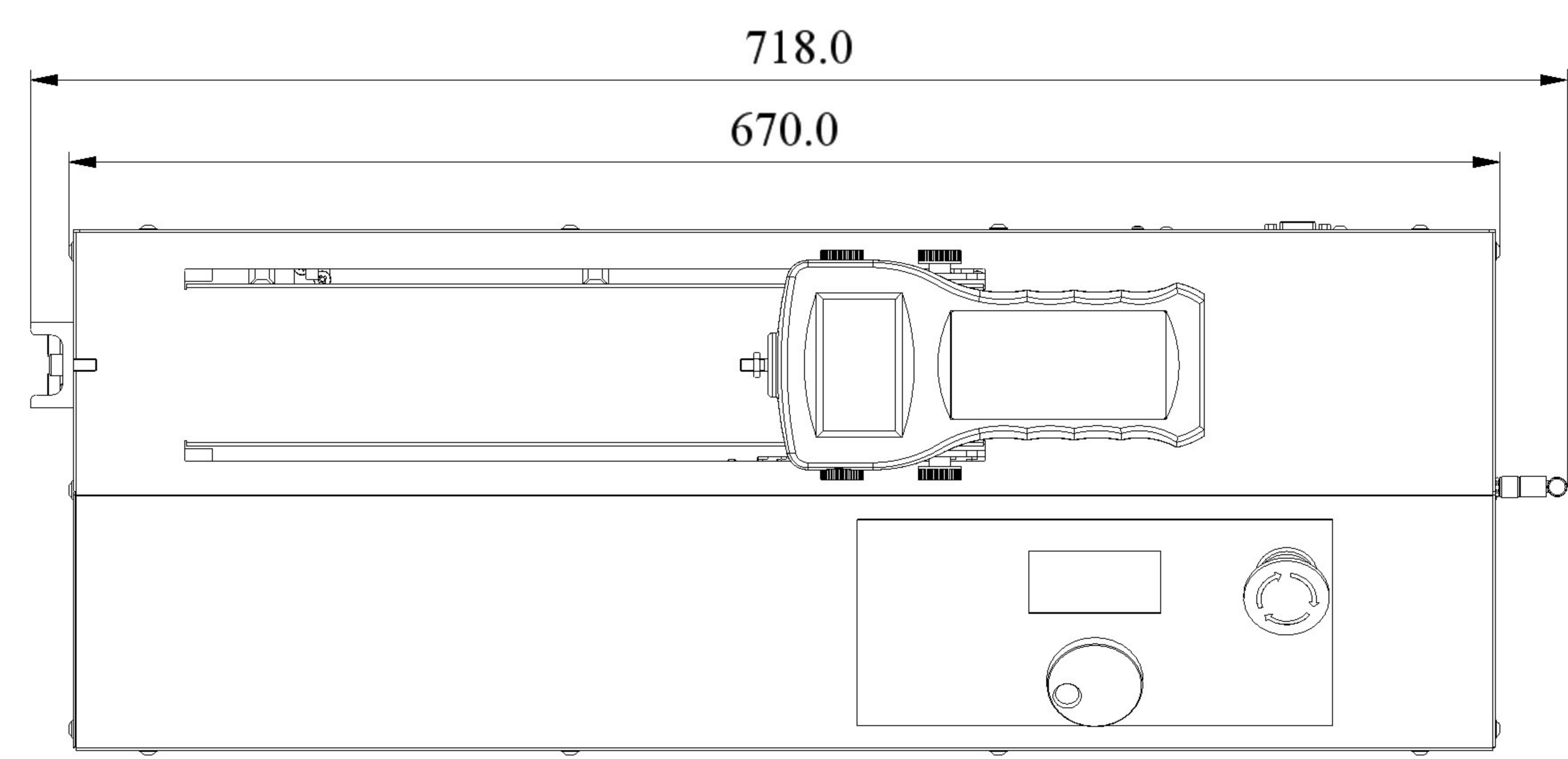
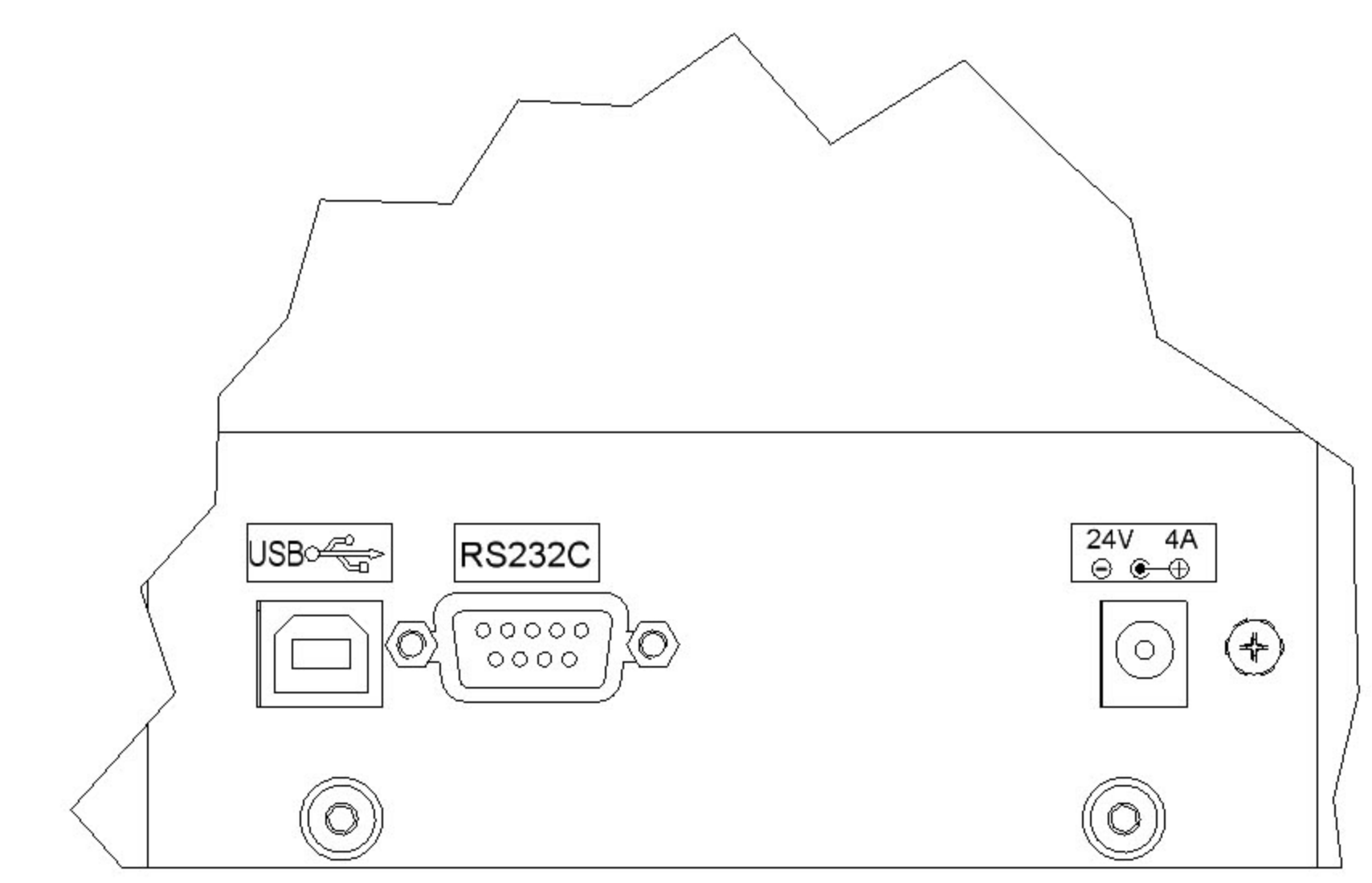
FTV100L VERTICAL
(METRIC)



FTH100 HORIZONTAL
(IMPERIAL)



A (1:2)



FTH100 HORIZONTAL
(METRIC)