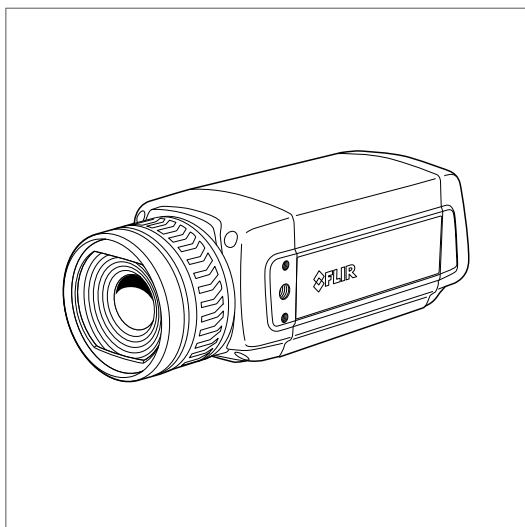




Getting started FLIR A6xx series



Important note

Before operating the device, you must read, understand, and follow all instructions, warnings, cautions, and legal disclaimers.

Důležitost poznámka

Před použitím zařízení si přečtěte veškeré pokyny, upozornění, varování a vyvážení se ze záruky, ujistěte se, že jim rozumíte, a řiďte se jimi.

Viktig meddelelse

Før du betjener enheden, skal du læse, forstå og følge alle anvisninger, advarsler, sikkerhedsforanstaltninger og ansvarsfraskrivelser.

Wichtiger Hinweis

Bevor Sie das Gerät in Betrieb nehmen, lesen, verstehen und befolgen Sie unbedingt alle Anweisungen, Warnungen, Vorsichtshinweise und Haftungsausschlüsse

Σημαντική σημείωση

Πριν από τη λειτουργία της συσκευής, πρέπει να διαβάσετε, να κατανοήσετε και να ακολουθήσετε όλες τις οδηγίες, προειδοποιήσεις, προφυλάξεις και νομικές αποποιήσεις.

Nota importante

Antes de usar el dispositivo, debe leer, comprender y seguir toda la información sobre instrucciones, advertencias, precauciones y renuncias de responsabilidad.

Tärkeä huomautus

Ennen laitteen käyttämistä on luettava ja ymmärrettävä kaikki ohjeet, vakavat varoitukset, varoitukset ja lakitiedotteet sekä noudatettava niitä.

Remarque importante

Avant d'utiliser l'appareil, vous devez lire, comprendre et suivre l'ensemble des instructions, avertissements, mises en garde et clauses légales de non-responsabilité.

Fontos megjegyzés

Az eszköz használatá előtt figyelmesen olvassa el és tartsa be az összes utasítást, figyelemztetést, óvintézkedést és jogi nyilatkozatot.

Nota importante

Prima di utilizzare il dispositivo, è importante leggere, capire e seguire tutte le istruzioni, avvertenze, precauzioni ed esclusioni di responsabilità legali.

重要な注意

デバイスをご使用になる前に、あらゆる指示、警告、注意事項、および免責条項をお読み頂き、その内容を理解して従ってください。

중요한 참고 사항

장치를 작동하기 전에 반드시 다음의 사용 설명서와 경고, 주의사항, 법적 책임제한을 읽고 이해하며 따라야 합니다.

Viktig

Før du bruker enheten, må du lese, forstå og følge instruksjoner, advarsler og informasjon om ansvarsfraskrivelse.

Belangrijke opmerking

Zorg ervoor dat u, voordat u het apparaat gaat gebruiken, alle instructies, waarschuwingen en juridische informatie hebt doorgelezen en begrepen, en dat u deze opvolgt en in acht neemt.

Ważna uwaga

Przed rozpoczęciem korzystania z urządzenia należy koniecznie zapoznać się z wszystkimi instrukcjami, ostrzeżeniami, przestrożami i uwagami prawnymi. Należy zawsze postępować zgodnie z zaleceniami tam zawartymi.

Nota importante

Antes de utilizar o dispositivo, deverá proceder à leitura e compreensão de todos os avisos, precauções, instruções e isenções de responsabilidade legal e assegurar-se do seu cumprimento.

Важное примечание

До того, как пользоваться устройством, вам необходимо прочитать и понять все предупреждения, предостережения и юридические ограничения ответственности и следовать им.

Viktig information

Innan du använder enheten måste du läsa, förstå och följa alla anvisningar, varningar, försiktighetsåtgärder och ansvarsfriskrivningar.

Önemli not

Cihazı çalıştırmadan önce tüm talimatları, uyarıları, ikazları ve yasal açıklamaları okumalı, anlamlı ve bunlara uymalısınız.

重要注意事項

在操作设备之前，您必須閱讀、理解並遵循所有說明、警告、注意事項和法律免責聲明。

重要注意事項

操作裝置之前，您務必閱讀、了解並遵循所有說明、警告、注意事項與法律免責聲明。



Getting started FLIR A6xx series



Intertek

Table of contents

1	List of contents	1
2	Illustrations	2
3	EN-US English	4

1 List of contents

- Infrared camera with lens
- Ethernet cable
- FLIR ResearchIR Max¹
- Hard transport case or cardboard box
- Mains cable
- Power cable, pig-tailed
- Power supply
- Printed documentation
- ThermoVision System Tools & Utilities CD-ROM²
- USB cable¹

Note FLIR Systems reserves the right to discontinue models, parts or accessories, and other items, or to change specifications at any time without prior notice.

1. The inclusion of this item is dependent on model.

2. The inclusion of this item is dependent on model. FLIR IR Monitor on the CD-ROM only supports FLIR A310 cameras.

2 Illustrations

Note Explanations of the illustrations are provided in each language section.

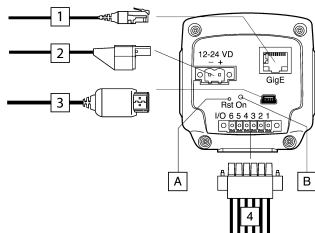


Figure 2.1 Connectors

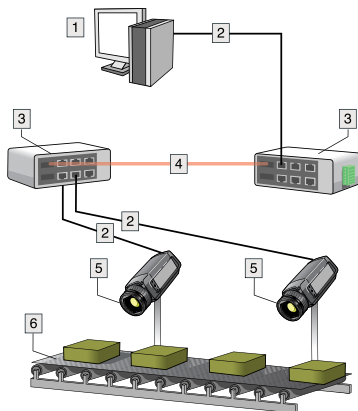


Figure 2.2 Typical system overview, FLIR A6xx series

2 Illustrations

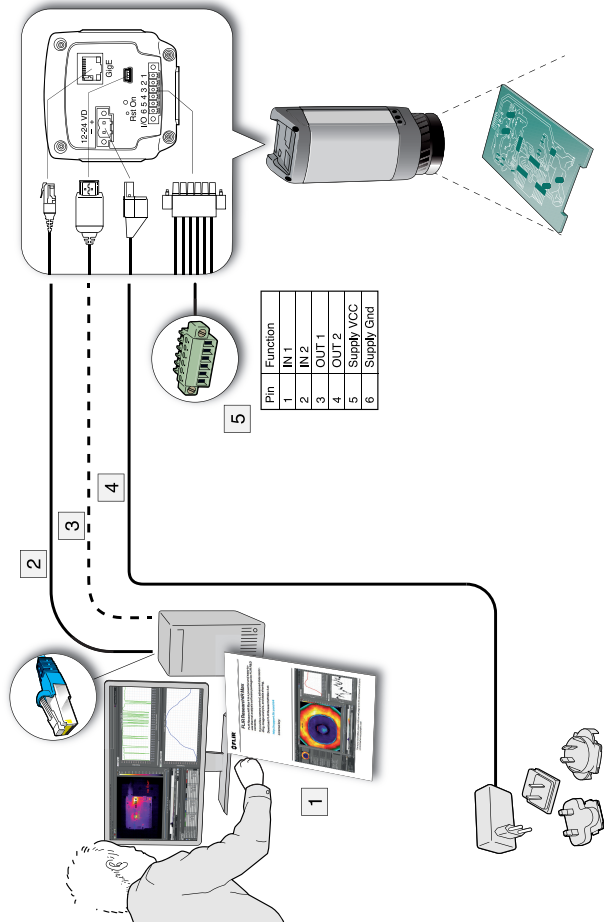


Figure 2.3 Typical system overview, FLIR A6xx sc series

3 EN-US English

3.1 Thank you!

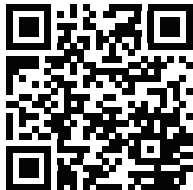
Thank you for choosing a product from FLIR Systems. We hope that the product will meet your expectations and that you will consider us again for your future needs.

3.2 Read the manual before use



Go to the following website to read or download the manual:

<http://support.flir.com/resources/6kb4>



3.3 Register your product now

Be the first to receive advance notice on new product updates, software upgrades, and special offers.

Go to the following website to register your product:

<http://www.flir.com/thg/register>

3.4 Download FLIR Tools

FLIR Tools lets you quickly create professional inspection reports that clearly show decision makers what you've found with your IR camera.

Import, analyze, and fine-tune images easily. Then incorporate them into concise documents to share findings and justify repairs.

Go to the following website to download FLIR Tools:

<http://support.flir.com/tools>

3.5 Quick start guide, FLIR A6xx series

Follow this procedure:

1. Connect the power and Ethernet cables to the camera.
2. Connect the power cable to a power supply.
3. Connect the camera to the network, using the Ethernet cable.
4. Use FLIR IP Config to identify the unit in the network and set the IP address if necessary. Download FLIR IP Config from <http://tinyurl.com/o5wudd7>.
5. Use FLIR Tools to set up and control the camera. For more information, see section 3.4 *Download FLIR Tools*, page 4.

3.6 Quick start guide, FLIR A6xx sc series

Follow this procedure:

1. Go to <http://support.flir.com/rir4> and download FLIR ResearchIR Max.
2. Install FLIR ResearchIR Max.
3. Start FLIR ResearchIR Max.

When asked for the license key, enter the license key that is printed on the FLIR ResearchIR Max download card. The card is included with your camera.

4. Connect the camera to the computer using the provided Ethernet cable.
5. Start the camera. This displays a start-up dialog box in FLIR ResearchIR Max. If the start-up dialog box is not displayed, go to *View > Startup Dialog*.
6. In the start-up dialog box, click the camera you want to connect to.

For more information about the installation and connection processes, see the FLIR ResearchIR Max manual.

3.7 Connectors

See Figure 2.1 *Connectors*, page 2.

1. Network cable with an RJ45 connector for Ethernet connectivity and Power over Ethernet (PoE) (dependent on the camera model).

Note Only CAT-6 Ethernet cables should be used with this camera.

2. Power cable for 12–24 V DC power in.

Note The power connector on the camera is polarity protected.

3. USB cable with a USB mini-B connector for control and image transfer.
4. Digital I/O ports, opto-isolated (six-pole screw terminal).

3 EN-US English

- A. Hardware reset button (for a factory default reset).
Use a straightened paper clip or a similar tool to press the reset button through the small hole on the back of the camera for 5 seconds, then release the button.
- B. Power indicator.

3.8 Typical system overview, FLIR A6xx series

See Figure 2.2 *Typical system overview, FLIR A6xx series*, page 2.

1. Computer.
2. CAT-6 Ethernet cable with RJ45 connectors.
3. Industrial Ethernet switches with fiber-optic ports.
4. Fiber-optic cable.
5. FLIR A6xx cameras.
6. Industrial process to be monitored, e.g., items on a conveyor belt.

3.9 Typical system overview, FLIR A6xx sc series

See Figure 2.3 *Typical system overview, FLIR A6xx sc series*, page 3.

1. PC running FLIR ResearchIR Max (a download card with a printed license key is included with the camera).
2. Gigabit Ethernet connection to a PC.
3. Alternative USB connection to a PC (lower frame rate).
4. Allowed range: 10–30 V DC, 24 W absolute max.
5. Digital I/O connector (screw terminals).

3.10 Training



Let the Infrared Training Center help you maximize your investment in thermal imaging:

www.infraredtraining.com	info_us@infraredtraining.com
www.irtraining.eu	info@irtraining.eu
www.irtraining.com	itc@flir.se

3.11 Customer support

Do not hesitate to contact our Customer Support Center at <http://support.flir.com> if you experience problems or have any questions about your product.

A note on the technical production of this publication

This publication was produced using XML — the eXtensible Markup Language. For more information about XML, please visit <http://www.w3.org/XML/>

A note on the typeface used in this publication

This publication was typeset using Linotype Helvetica™ World. Helvetica™ was designed by Max Miedinger (1910–1980)

LOEF (List Of Effective Files)

T501209.xml; mul; AA; 34081; 2016-03-07

T505924.xml; en-US; 34071; 2016-03-07

T505919.xml; en-US; 33517; 2016-02-18

T505918.xml; en-US; AA; 34079; 2016-03-07



Website

<http://www.flir.com>

Customer support

<http://support.flir.com>

Copyright

© 2016, FLIR Systems, Inc. All rights reserved worldwide.

Disclaimer

Specifications subject to change without further notice. Models and accessories subject to regional market considerations. License procedures may apply. Products described herein may be subject to US Export Regulations. Please refer to exportquestions@flir.com with any questions.

Publ. No.: T810153
Release: AA
Commit: 34081
Head: 34081
Language: mul
Modified: 2016-03-07
Formatted: 2016-03-07



T810153