

Change #2,

In the **Battery Replacement** section add step 6.

6. Do the Compass Calibration.

Change #3,

In the **Specifications** section under **Inclination Angle**, add note:

Note:

Inclination accuracy is specified as the angle between a vertical and the absolute horizontal plane / true horizontal baseline. The Product is calibrated to true horizontal 0 °.

Supplement

Manual Title:	Fluke IRR1-SOL Irradiance Meter Users Manual		
Part Number:	5237649	Supplement Issue:	2
Print Date:	Sep. 2020	Issue Date:	01/21
Revision/Date:		Page Count:	3

This supplement contains information necessary to ensure the accuracy of the above manual.

Change #1,

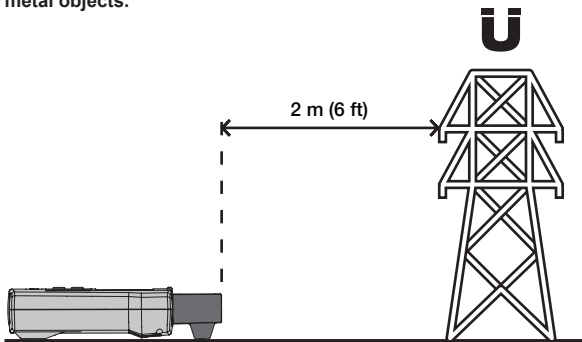
Add a new section, **Compass Calibration** before the **Maintenance** section.


Compass Calibration

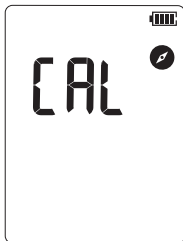
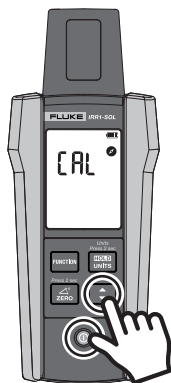
The Product contains a compass. The compass is affected by metal in the environment. Recalibrate the compass:

- Before the first use.
- Each time you change the batteries.
- When you change locations.
- When there is a significant change in the environment. (For example new metal fittings.)

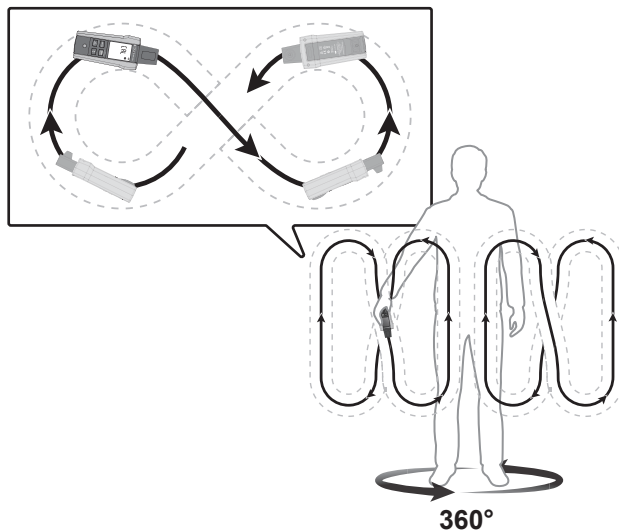
1. Do the calibration outdoors, at least 6 feet (2 m) away from any metal objects.



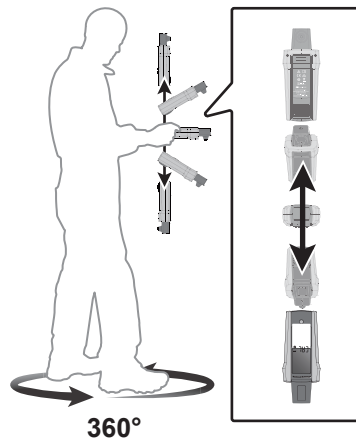
2. Push and hold the  button while powering on the Product to enter compass calibration mode. The Product shows CAL and the compass icon.



3. Slowly turn the Product around all three axis in the space using figure 8 movement (approximately 3 seconds per movement). Continue turning the product while slowly rotating your body 360 degrees for 3 complete body rotations at a steady pace, take at least 1 minute to complete the body rotation.



4. Slowly turn the Product around on the vertical axis (approximately 2 seconds per movement). Continue turning the product while slowly rotating your body 360 degrees for 1 complete rotation at a steady pace, take at least 1 minute to complete the body rotation.



5. Turn off the Product. The Product stores the calibration data.

