

ThermoView TV30 Series

Thermal Imager Camera



1

www.flukeprocessinstruments.com/en-us/downloads/product-manuals

2

TV30 Camera Quick Start Safety Sheet

3

-10 – 50°C
(14 – 122°F)

IP67

4

5

5 Spot Size Calculator App

TV33 [mm]

30° x 22°

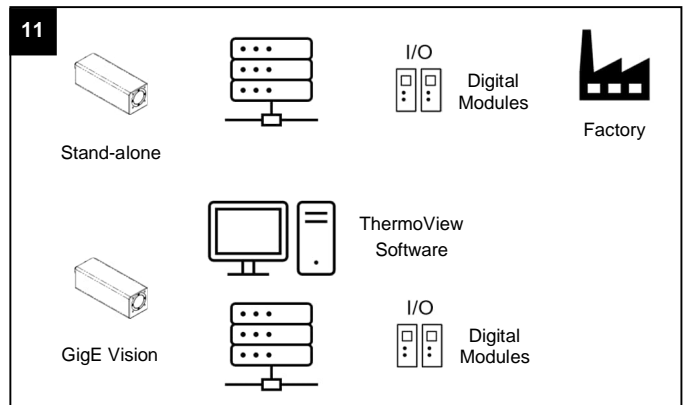
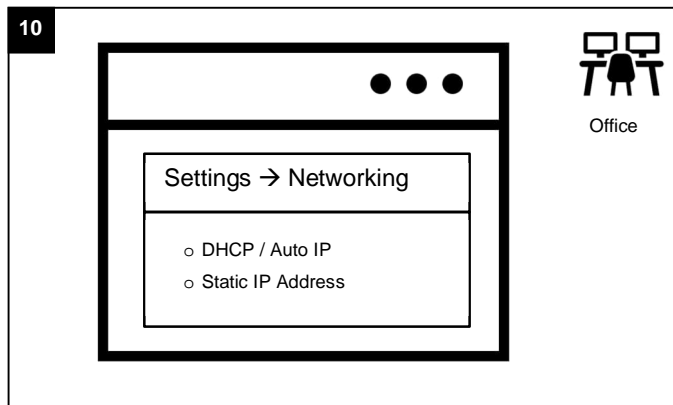
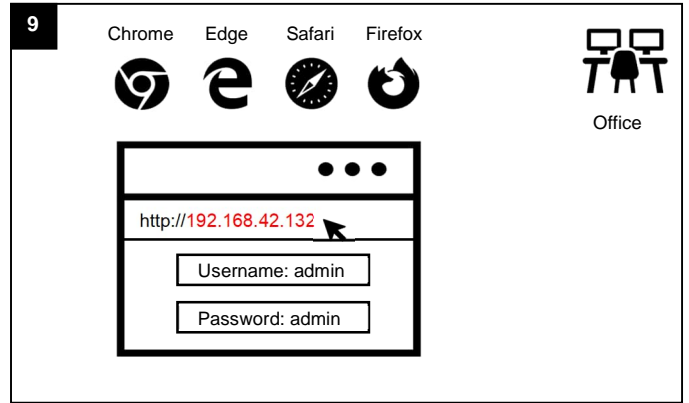
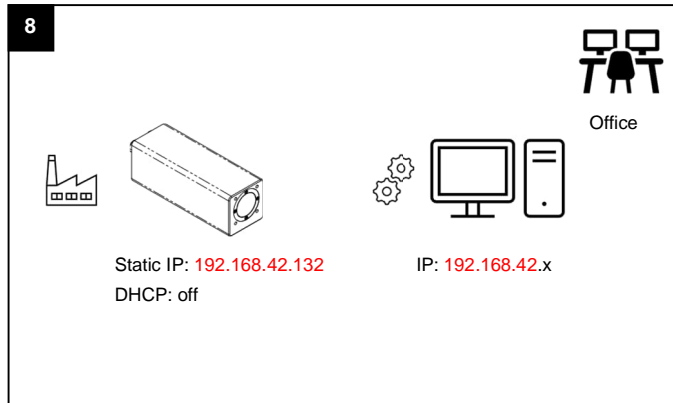
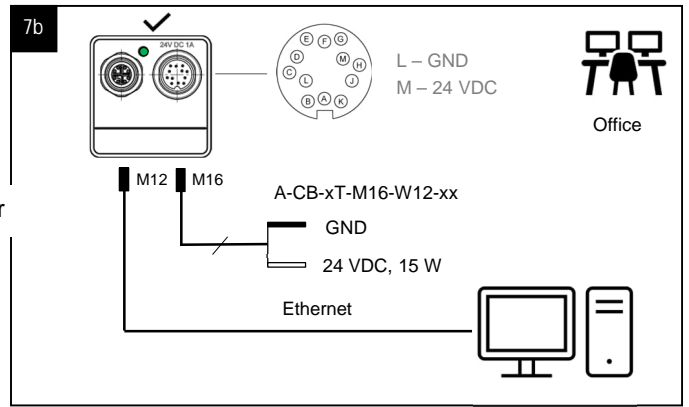
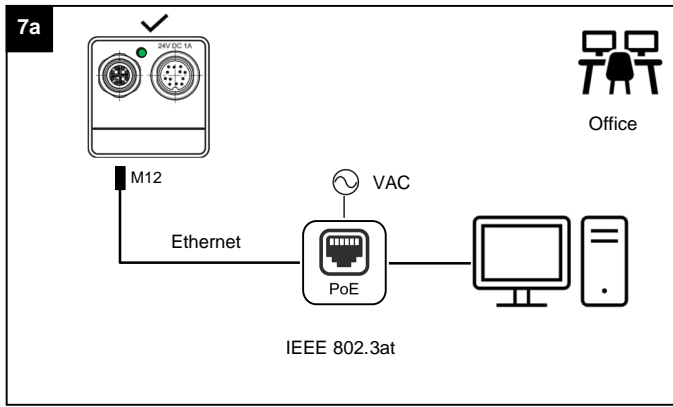
81

59

Target Distance

152

6 Spot Size Calculator App



TV3	X	-	XX	-	X	-	X	-	XX
Series	Model		Type		Temp Range		Lens		Frame Rate
	3 - 320x240 pixel 6 - 640x480 pixel		SA - Stand alone		L -10 to 1300°C (14 to 2372°F)		S - Standard W - Wide angle T - Tele		60 - 60 Hz 09 - 9 Hz

Fluke Process Instruments

Americas
Everett, WA USA
Tel: +1 800 227 8074 (USA/Canada only)
+1 425 446 6300
solutions@flukeprocessinstruments.com

EMEA
Berlin, Germany
Tel: +49 30 4 78 00 80
info@flukeprocessinstruments.de

China
Beijing, China
Tel: +86 10 6438 4691
info@flukeprocessinstruments.cn

Japan
Tokyo, Japan
Tel: +81 03 6714 3114
info@flukeprocessinstruments.jp

Asia East and South
India Tel: +91 22 2920 7691
Singapore Tel: +65 6799 5578
sales.asia@flukeprocessinstruments.com



Worldwide Service
Fluke Process Instruments offers services, including repair and calibration.
For more information, contact your local office.

www.flukeprocessinstruments.com

© 2023 Fluke Process Instruments
Specifications subject to change without notice. 05/2023 – Rev. 1.0, 5340926