

QRG

FLUKE

FEV150/FEV350 EV Charging Station Analyzer

 www.fluke.com

FEV350

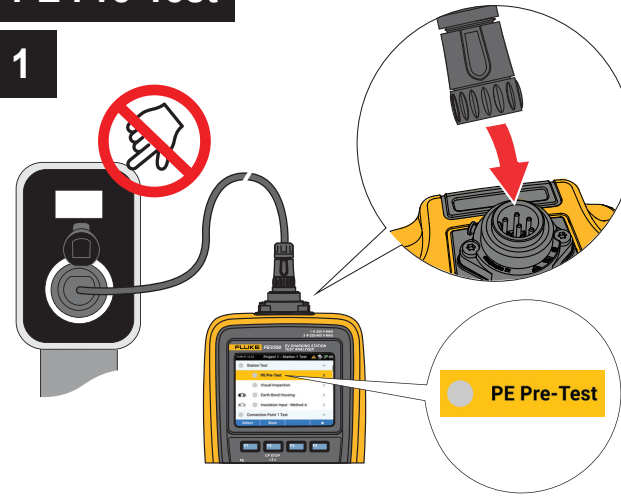


FEV150



PE Pre-Test

1



2

PE
PRE-TEST



3 s

3



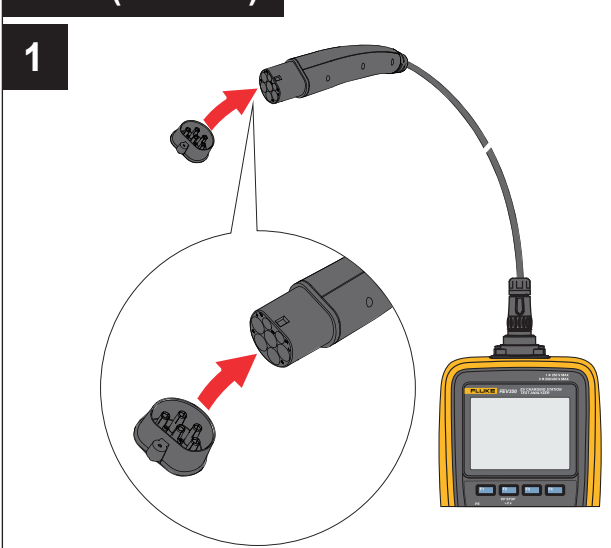
$\leq 50 \text{ V} =$  \Rightarrow 

$> 50 \text{ V} =$  \Rightarrow 

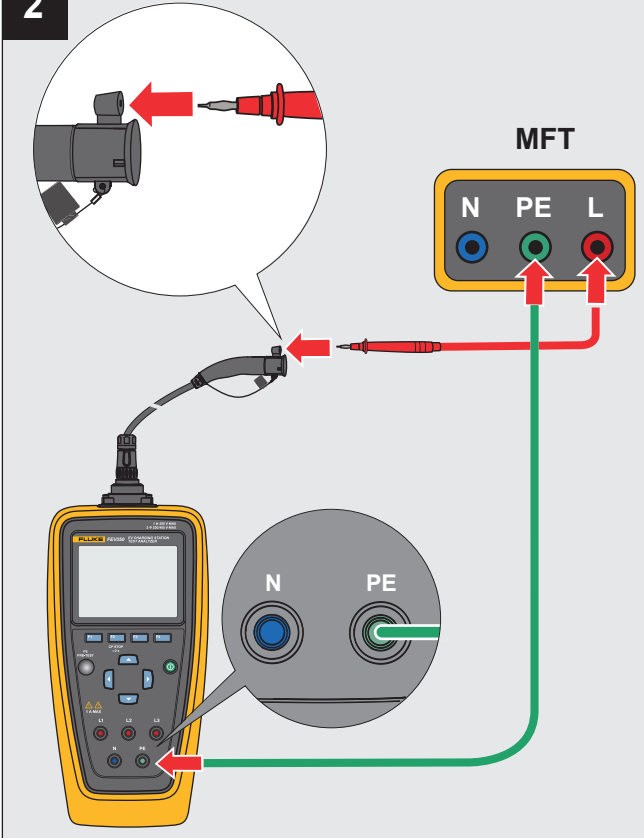


Zero (FEV350)

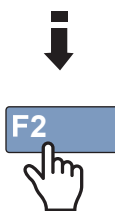
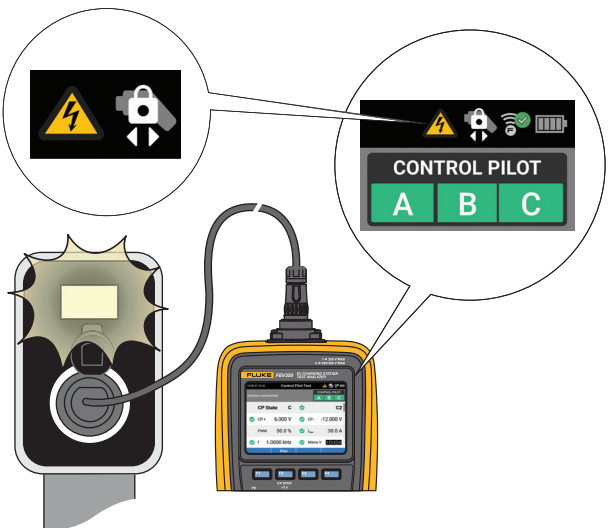
1



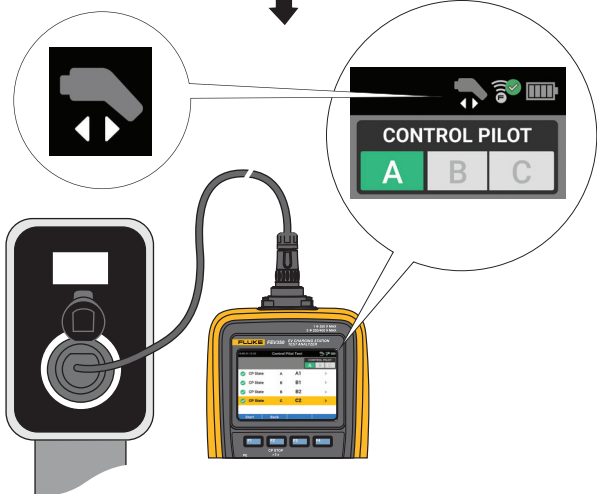
2



CP Stop

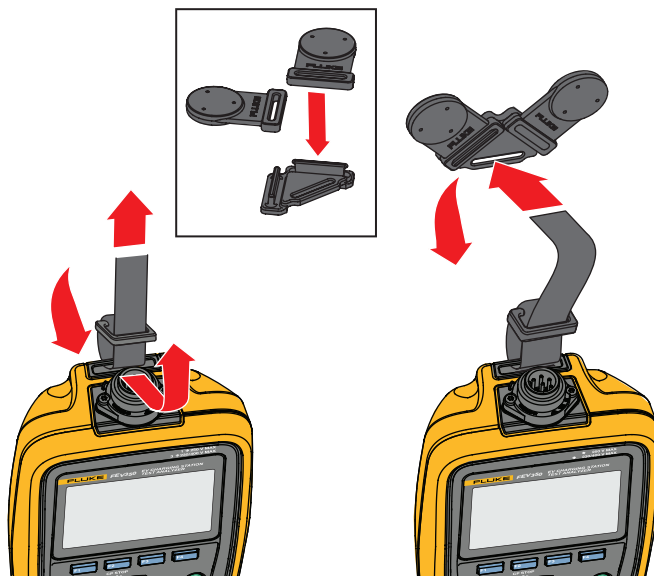


CP Stop
>2 s

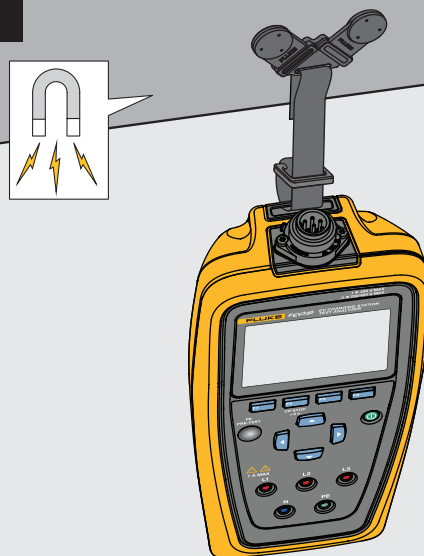


TPAK

1



2



TruTest™

