

# ELS-1150

## Compact Electro Optic Level Switch available in Nickel-Plated Steel or Stainless Steel

The enhanced ELS-1150 series is the highest performing electro optic level switch from Gems Sensors. At just 1.38" long, the ELS-1150 has been upgraded with a micro processor board design to provide a wide range of capabilities including sinking and sourcing and time delay outputs. The strong fused glass prism eliminates leak potential and is capable of handling extreme temperature and pressure applications up to 2500 psi. The ELS-1150 explosion-proof series is available in versions with wide voltage ranges (see ELS-1150XP). Built with solid state reliability, the sensor is available at an affordable price in Nickel-Plated Carbon Steel or Stainless Steel. The compact size of the sensor makes them ideal candidates for monitoring the small, pressurized vessels found in HVAC, refrigeration and hydraulic applications in Oil and Gas. The sensors are most commonly used for low, high and intermediate level detection in a variety of media.

The stainless steel version (ELS-1150SS) is excellent for application requiring corrosion resistance and is ideal for acids, solvents and dielectric water applications. An explosion proof version, ELS-1150XP, is excellent for applications in Oil & Gas that require small, accurate level sensing of constant media (ie. hydraulic fluid or coolant).

\* Higher temperature versions available up to 125°C.  
Contact our factory experts for additional ordering information.

### Applications

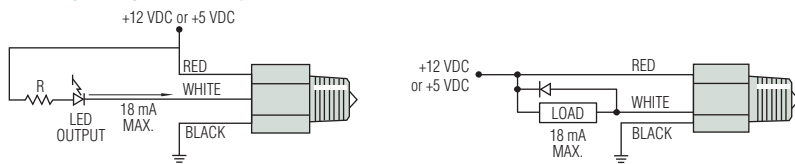
- Hydraulic and lubricating oil reservoirs
- Corrosive liquids such as: acids, solvents, and dielectric water applications
- Critical fluid level monitoring on machine tools, compressors, chillers and other industrial OEM equipment
- Medical Equipment; Anesthesia, Histology

### Specifications

<b>Mounting</b>	1/2" NPT, 3/4"-16 Straight Thread
<b>Materials</b>	
<b>Housing</b>	Nickel-Plated Carbon Steel or Stainless Steel
<b>Prism</b>	Fused Glass
<b>Operating Pressure</b>	0 to 2500 PSI, Maximum
<b>Operating Temperature*</b>	-40°F to +212°F (-40°C to +100°C)
<b>Current Consumption</b>	~45 mA
<b>Output</b>	Open Collector Output, 18 mA Sink, Max.
<b>Electrical Termination</b>	22 AWG, Polymeric, 12" to 14" Extended Lead Wires
<b>Repeatability</b>	±1 mm
<b>Approvals**</b>	CE, UL File No. E108913, CUL

\* These switches are not for use in freezing liquid or steam/high condensation environments. For higher temperature versions up to 257°F (125°C), and for other alternate requirements, contact Gems factory.  
\*\* Carbon Steel model only.

### Wiring Diagrams - Typical

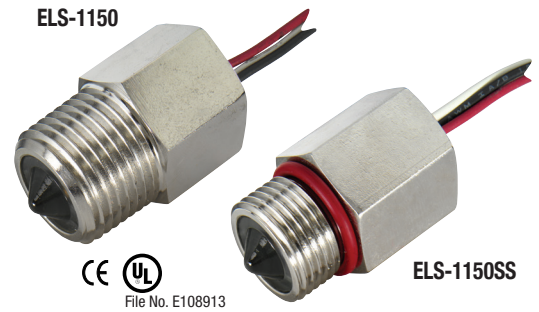


Note: Inductive loads must be diode suppressed.

### How To Order

Specify Part Number based on Input Power/ Output Condition and material required.

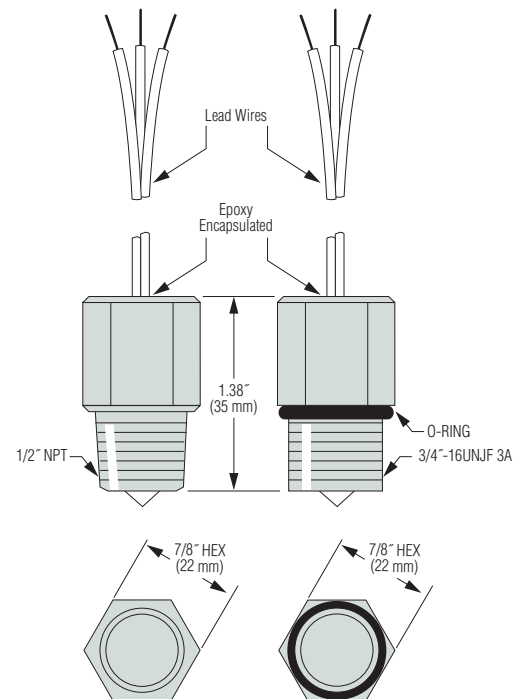
Input Power	Probe Condition at Current Sink	Nickel-Plated Steel Housing		Stainless Steel Housing
		1/2" NPT Mounting	3/4" - 16 Straight Thread	1/2" NPT Mounting
5 VDC	Wet	194469 ⚡	195201	205486
	Dry	194470	195202	205487
12 VDC	Wet	194471 ⚡	195203	205490 ⚡
	Dry	194472 ⚡	195204	205495



### Dimensions

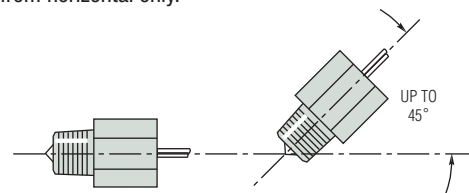
#### 1/2" NPT Mounting

#### 3/4" - 16 Straight Thread Mounting



### Mounting Attitude

These units must be mounted horizontally or up to 45° from horizontal only.



### Extended Power and Switching Capabilities of 12 VDC Models with Gems.

Converts TTL output signal to 5 Amp relay output. Available as open circuit board or mounted in a NEMA 4X enclosure (pictured). See Page A-33.

