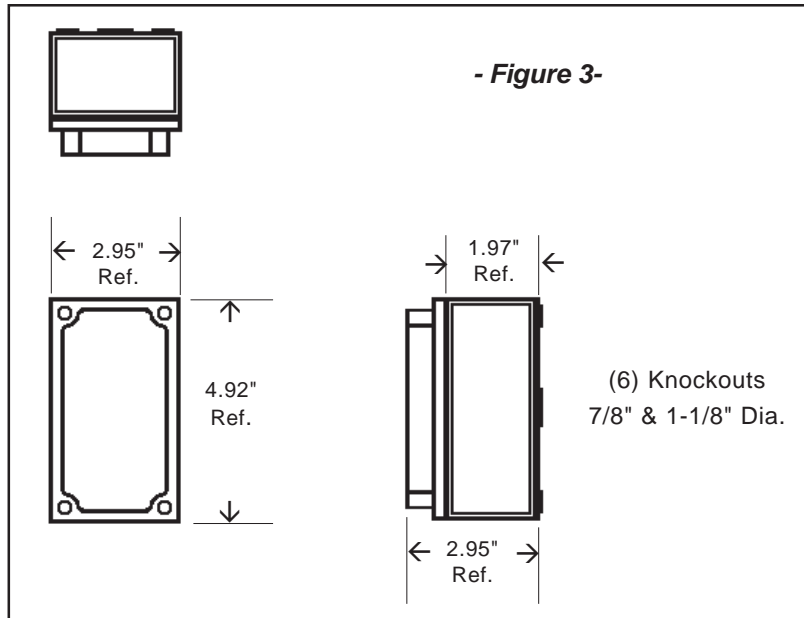


Conduit Connections for Opto-Pak (P/N 149535 & 177714)

When making conduit connections, be sure to remove P.C. board assembly (four #6 screws) from box before knockouts are removed. Two sizes of conduit can be used: 7/8" and 1-1/8" diameter. Conduit connection must be watertight (i.e., gasket used) to maintain NEMA-4X rating.

Two of the six conduit knockouts are shown in **Figure 3** (below).



- WARNING -

Product must be maintained and installed in strict accordance with the Gems Technical brochure and instruction bulletin. Failure to observe this warning could result in serious injuries or damages.



Opto-Pak Controller for Electro-Optic Switches Instruction Bulletin No. 121574

Specifications . . .

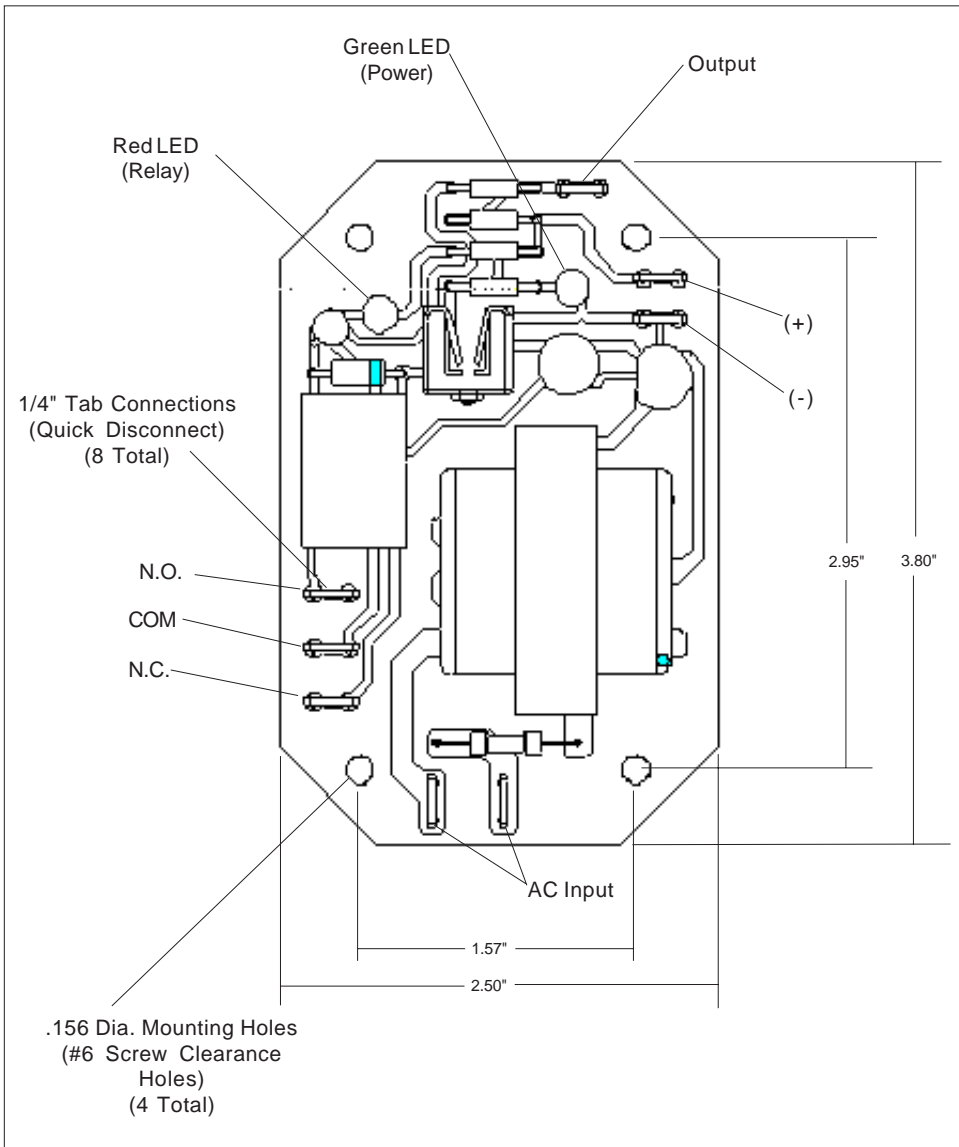
Power Input	P/N 149535 & 149536	P/N 162171 & 177714
Voltage Range	115 VAC ±10%	230 VAC ±10%
Max. Current Consumption	70 mA	
Relay Output Two (2) Relay Contacts		
(1) N.C. Contact:	5 Amp @ 115 VAC - 5 Amp @ 30 VDC	
(1) N.O. Contact:	5 Amp @ 115 VAC - 5 Amp @ 30 VDC	
Operating Temp Range:	-13°F to +158°F (-25°C to +70°C)	
Output to Sensor:	12 VDC @ 100 mA; Max.	

Wiring Controllers . . .

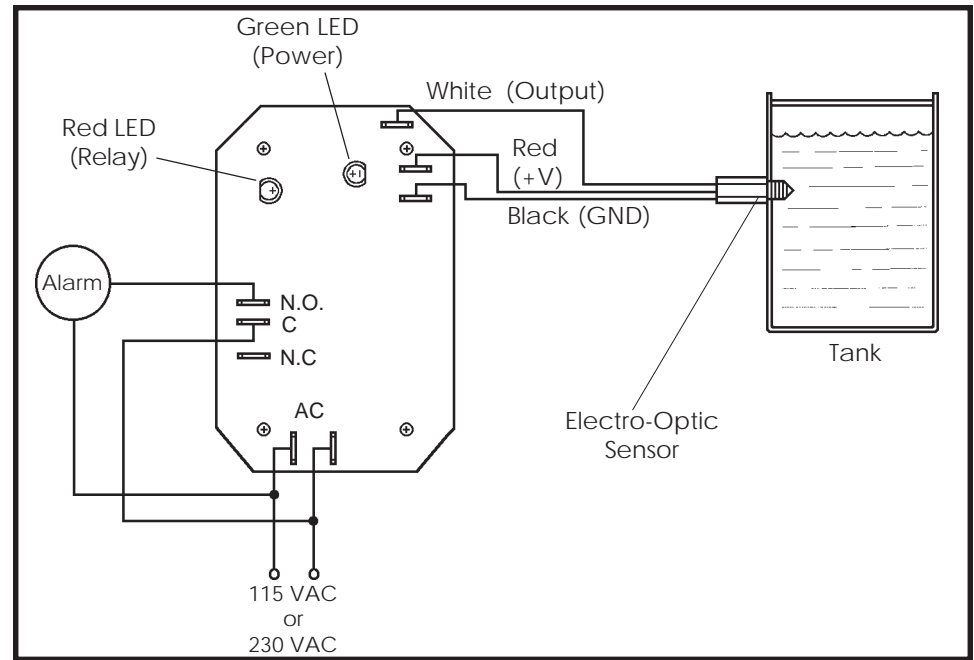
Make connections to spade terminals using 1/4" female spade receptacles provided.

The open board controller (P/N 149536 & P/N 162171) with dimensions and connection information is shown in **Figure 1**.

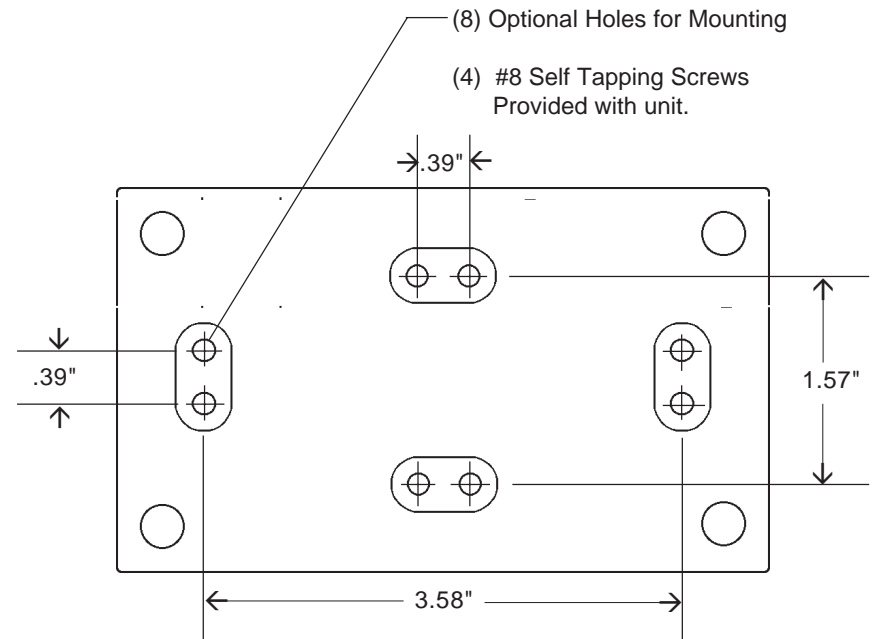
A typical normally open (N.O.) output wiring diagram with AC-powered alarm is shown in **Figure 2**.



- Figure 1 -



- Figure 2 -



- Bottom View -