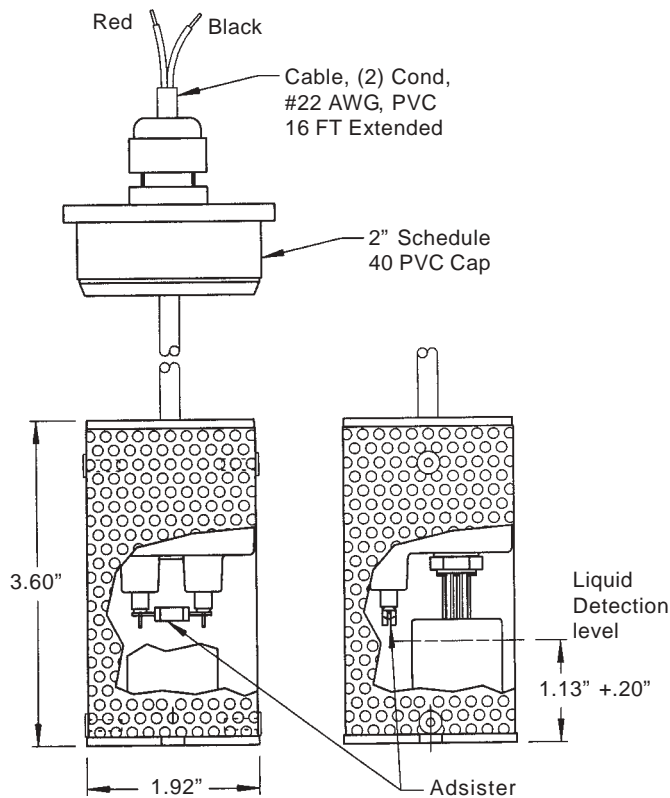
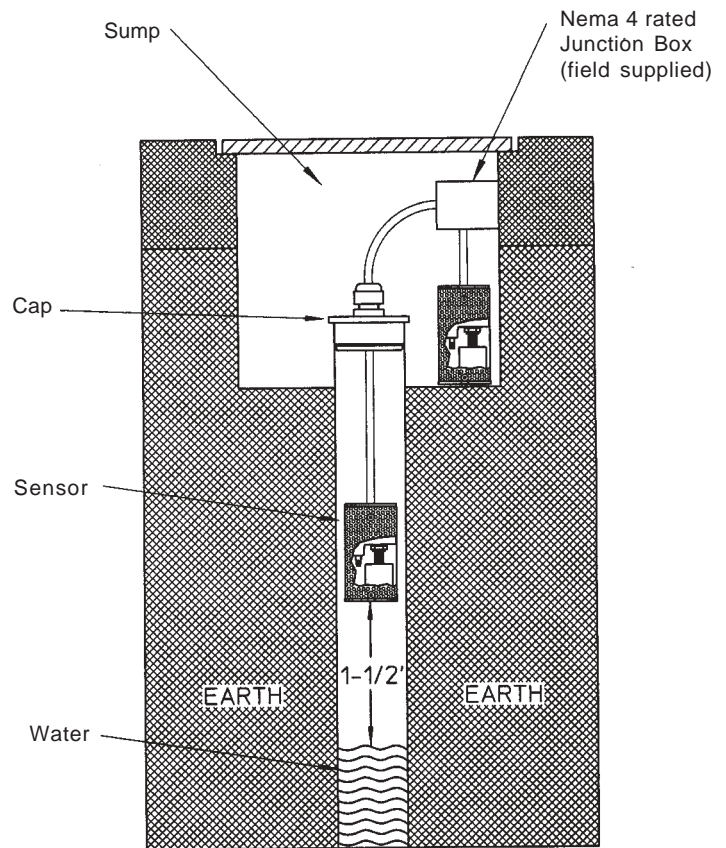
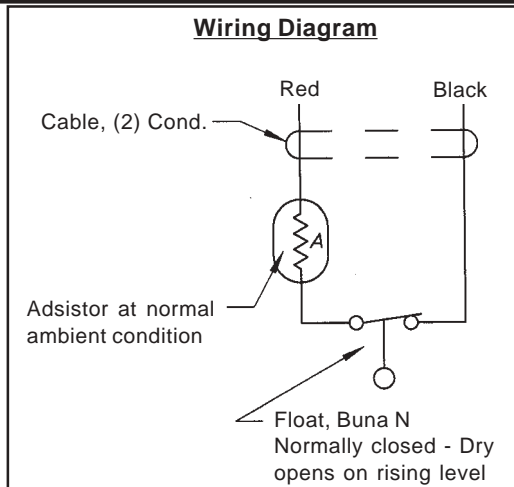




# Warrick® SVP2 Liquid and Vapor Sensor For Interstitial or Sump Monitoring Installation and Operation Bulletin



**Notes:**

1. **General:** SVP2 sensor is a leak detection sensor. Designed to monitor hydrocarbon vapors/liquids and water, in wells or sumps by absorbing the vapors and triggering a switch. A two sensor application; where a) an adsistor monitors hydrocarbon vapors, and b) a level switch, detecting levels of oil, gas or water.

**2. Level Switch Specifications:**

Adsistor base resistance: 500 ohms to 1200 ohms  
 Liquid Media: water, oil and fuel.  
 Min. Liquid Specific Gravity: .45  
 Operating Temperature Range: -40°F to +176°F  
 Wetted Materials:  
 Stem & Clip: Nylon  
 Float: Buna-N  
 Screen Sensor Guard: 304 S.S.  
 Disc Closure: Ryton  
 Cup Body: Ryton  
 Cable: PVC

**Installation instructions:**

1. Install sensor into pipe for adjustment.
2. Loosen the cable gland to allow the wire to be adjusted to the correct height.
3. Adjust the sensor so that the bottom of the sensor is approximately 1-1/2 feet above the water level.
4. Tighten the cable gland to keep the cable from moving.

For Further assistance contact the factory.



Gems Sensors Inc.  
 One Cowles Road  
 Plainville, CT 06062-1198  
 Tel: 860-793-4579  
 Fax: 860-793-4580