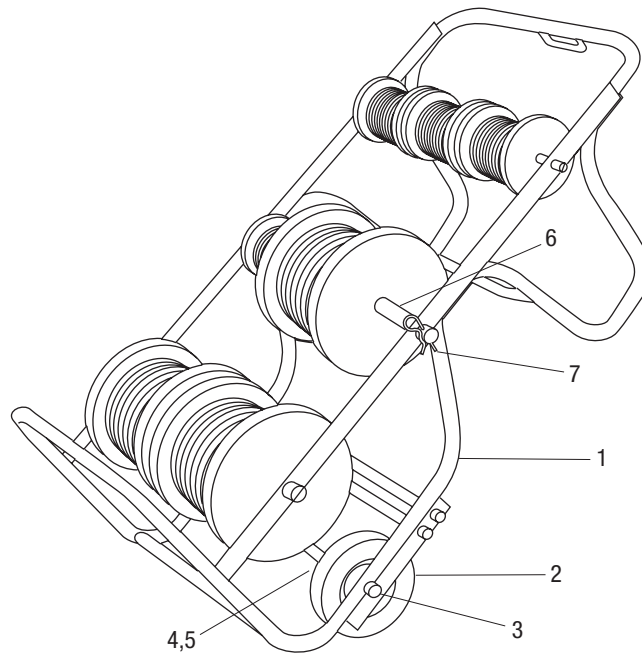


PARTS LIST



911 Wire Cart

For the best stability, dispense wire with wire cart in a horizontal position.

Key	Part No.	Description	Qty
1		Frame	1
2	90553276	Wheel	2
3	50315277	Axle	1
4		Cotterpin, 1/8" x 1-1/4"	2
5	90517407	Washer (place washer between cotterpin and wheel on axle)	2
6	50315234	Reel Shaft	5
7	90503031	No. 7 Clip	10



USA	800-435-0786	Fax: 800-451-2632
	815-397-7070	Fax: 815-397-1865
Canada	800-435-0786	Fax: 800-524-2853
International	+1-815-397-7070	Fax: +1-815-397-9247

4455 Boeing Drive • Rockford, IL 61109-2988 • USA • 815-397-7070
©2019 Greenlee Tools, Inc. • An ISO 9001 Company