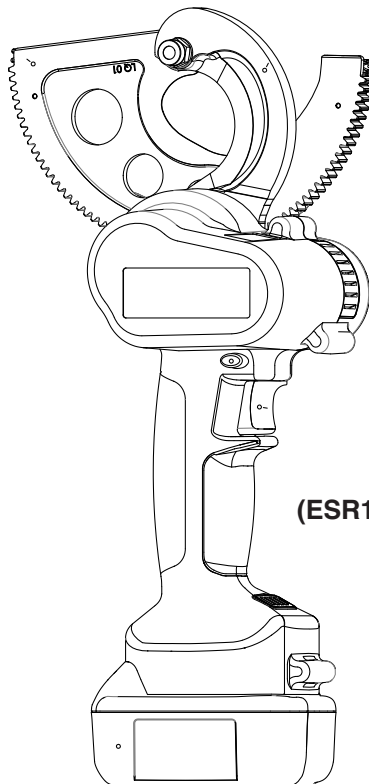


INSTRUCTION MANUAL



(ESR1000LX shown)

GATOR[®] Battery-powered Ratcheting Cable Cutters



Read and understand all of the instructions and safety information in this manual before operating or servicing this tool.

Register this product at www.greenlee.com

Table of Contents

Description	2
Safety	2
Purpose of this Manual	2
Important Safety Information	3-4
Identification	5
Specifications	6
Operation	7
Maintenance	8
Troubleshooting	9
Illustration and Parts List	10-13

Description

Greenlee's Battery-powered Cable Cutters are hand-held, self contained cutting tools intended to cut the following:

ESR25LX: Up to 636 kcmil Grosbeak ACSR cable. It is not intended to cut Egret ACSR cable.

ESR1000LX: Copper cable up to 1000 kcmil and aluminum cable up to 1500kcmil.

The ratcheting cable cutters are powered with 18V Li-ION rechargeable batteries and feature over-current and low voltage protection.

Safety

Safety is essential in the use and maintenance of Greenlee tools and equipment. This instruction manual and any markings on the tool provide information for avoiding hazards and unsafe practices related to the use of this tool. Observe all of the safety information provided.

Purpose of this Manual

This manual is intended to familiarize all personnel with the safe operation and maintenance procedures for the following Greenlee tools:

ESR1000LXB	Cutter, battery ratchet soft w/ case
ESR25LXB	Cutter, battery ratchet ACSR w/ case
ESR1000LX11	Cutter, battery ratchet soft 120v
ESR25LX11	Cutter, battery ratchet ACSR 120v
ESR1000LX12	Cutter, battery ratchet soft 12v
ESR25LX12	Cutter, battery ratchet ACSR 12v
ESR1000LX22	Cutter, battery ratchet soft 230v
ESR25LX22	Cutter, battery ratchet ACSR 230v

Keep this manual available to all personnel.

Replacement manuals are available upon request at no charge at www.greenlee.com.



Do not discard this product or throw away!


For recycling information, go to www.greenlee.com.


All specifications are nominal and may change as design improvements occur. Greenlee Tools, Inc. shall not be liable for damages resulting from misapplication or misuse of its products. GATOR is a registered trademark of Greenlee Tools, Inc.


KEEP THIS MANUAL


IMPORTANT SAFETY INFORMATION

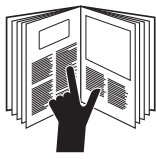
Cable Cutter

	<h3>SAFETY ALERT SYMBOL</h3>
<p>This symbol is used to call your attention to hazards or unsafe practices which could result in an injury or property damage. The signal word, defined below, indicates the severity of the hazard. The message after the signal word provides information for preventing or avoiding the hazard.</p>	
<h3>⚠ DANGER</h3>	
<p>Immediate hazards which, if not avoided, WILL result in severe injury or death.</p>	
<h3>⚠ WARNING</h3>	
<p>Hazards which, if not avoided, COULD result in severe injury or death.</p>	
<h3>⚠ CAUTION</h3>	
<p>Hazards or unsafe practices which, if not avoided, MAY result in injury or property damage.</p>	

	<h3>⚠ WARNING</h3>
<p>Electric shock hazard: This tool is not insulated. When using this unit near energized electrical lines, use proper personal protective equipment. Failure to observe this warning could result in severe injury or death.</p>	


	<h3>⚠ WARNING</h3>
<p>Wear eye protection when operating or servicing this tool. Failure to wear eye protection could result in serious eye injury from flying debris.</p>	

	<h3>⚠ WARNING</h3>
<ul style="list-style-type: none"> • Keeps hands away from blade. • Remove the battery before inspecting or servicing the tool. <p>Failure to observe these warnings could result in severe injury or death.</p>	

	<h3>⚠ WARNING</h3>
<p>Read and understand all of the instructions and safety information in this manual before operating or servicing this tool. Failure to observe this warning could result in severe injury or death.</p>	

Note: Keep all decals clean and legible, and replace when necessary.

<h3>⚠ WARNING</h3>
<ul style="list-style-type: none"> • Inspect the tool before each use. Replace any worn, damaged, or missing items with Greenlee replacement parts. A damaged or improperly assembled tool can break and strike nearby personnel. • Carrying strap is for carrying only, not to be used to hang or suspend tool. <p>Failure to observe these warnings could result in severe injury or death.</p>

	<h3>⚠ WARNING</h3>
<p>Do not use solvents or flammable liquids to clean tool body. Solvents or flammable liquids could ignite and cause serious injury or property damage. Failure to observe this warning could result in severe injury or death.</p>	

<h3>⚠ WARNING</h3>
<p>Do not dispose of battery in a fire. The battery will vent harmful vapors and can explode. Failure to observe this warning could result in severe injury or death.</p>

IMPORTANT SAFETY INFORMATION

Battery

⚠ CAUTION

- Use this tool for manufacturer's intended use only. Use other than that which is described in this manual can result in injury or property damage.
 - Do not cut guy wire or steel rod.
 - Do not cut ACSR with the ESR1000LX
 - Do not exceed the rated capacity of the tool.
- Failure to observe these precautions may result in injury or property damage.

⚠ CAUTION

- Do not allow any object to contact the battery terminals.
- Do not immerse batteries in liquid. Liquid may create a short circuit and damage the battery. If batteries are immersed, contact your service center for proper handling.
 - Do not place the battery into a pocket, tool pouch, or tool box with conductive objects. Conductive objects may create a short circuit and damage the battery.
 - Do not place a battery on moist ground or grass. Moisture may create a short circuit and damage the battery.
- Failure to observe these precautions may result in injury or property damage.

⚠ CAUTION

- This tool is not designed for continuous use. After 40 cutting cycles or if tool becomes hot, allow the cutting tool to rest for 30 minutes.
 - Do not secure this tool in a vice. This is a tool designed for hand-held operation.
 - This tool may be used in damp or wet environments; however, air-drying is recommended before use if the tool becomes soaked. Damage may result when the tool is operated prior to thorough drying when electrical components are soaked.
 - Use this tool for the manufacturer's intended purpose only
- Failure to observe these precautions may result in injury or property damage.

⚠ CAUTION

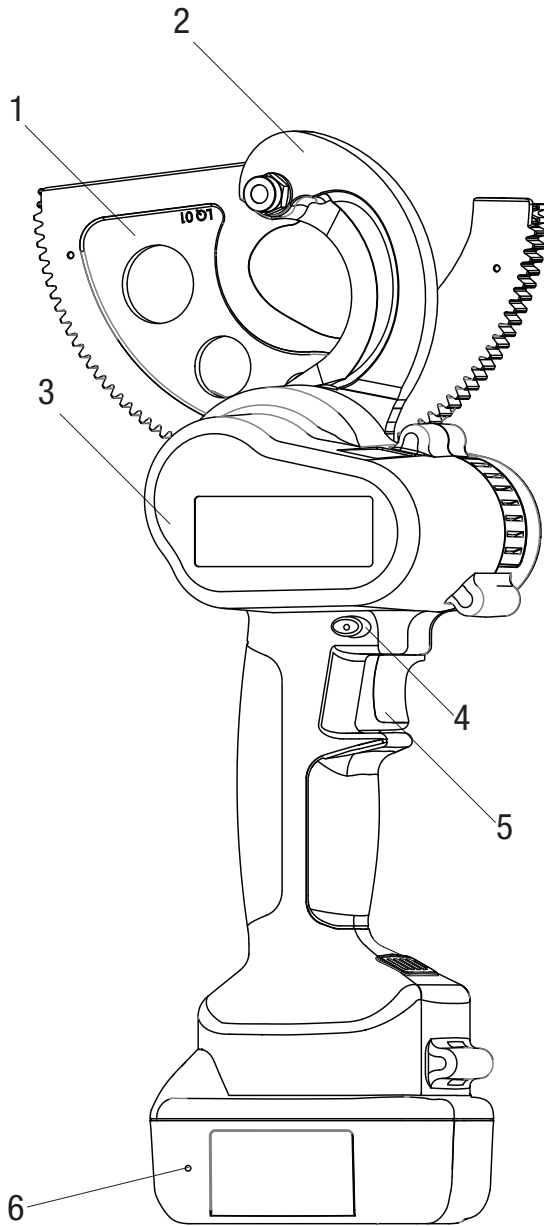
- Do not store the battery at more than 122 F (50 C) or less than -4 F (-20 C). Damage to the battery can result.
 - Do not attempt to open the battery. It contains no user-serviceable parts.
 - Do not use another manufacturer's charger. Other manufacturers' chargers may overcharge and damage the battery.
- Failure to observe these precautions may result in injury or property damage.

⚠ CAUTION

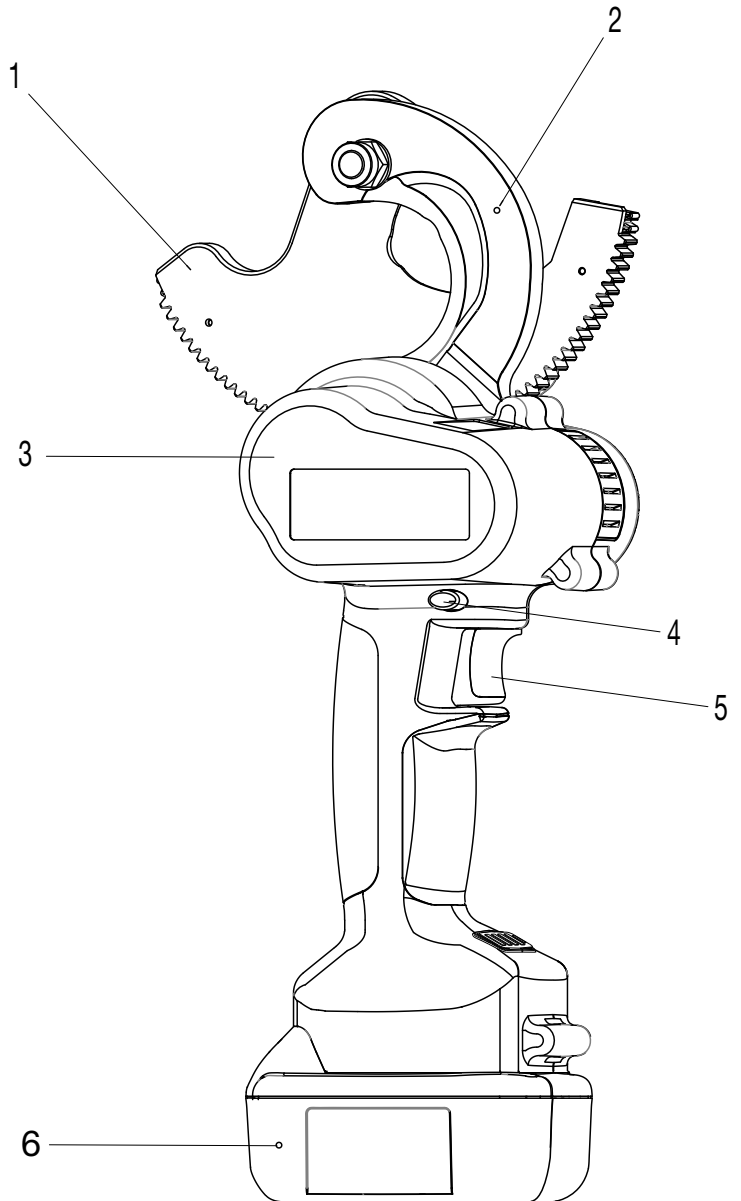
- Do not perform any service or maintenance other than described in this manual. Injury or damage to the tool may result.
- Failure to observe these precautions may result in injury or property damage.

Note: Keep all decals clean and legible, and replace when necessary.

Identification



ESR1000LX



ESR25LX

- 1. Movable blade
- 2. Stationary blade
- 3. Driver
- 4. Forward/reverse switch
- 5. Trigger
- 6. Reset button

Identification (cont'd)**Specifications****ESR1000LX**


Length (with battery)..... 15.29" (388 mm)
Width..... 7.78" (198 mm)
Depth..... 4.33" (110 mm)
Weight (with battery)..... 7.6 lb (3.4 kg)
Cutting Capacity
Copper..... Up to 1000 kcmil
Aluminum..... Up to 1500 kcmil
Battery
Type..... Rechargeable Lithium-Ion
Voltage..... 18 V
Charger
Voltage..... 120 VAC, 220 VAC and 12 VDC

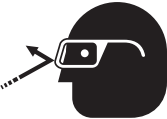
ESR25LX


Length (with battery)..... 15.41" (391 mm)
Width..... 7.33" (186 mm)
Depth..... 4.33" (110 mm)
Weight (with battery)..... 8.0 lb (3.6 kg)
Cutting Capacity
ACSR..... Up to Grosbeak 636 kcmil (Except Egret)
Battery
Type..... Rechargeable Lithium-Ion
Voltage..... 18 V
Charger
Voltage..... 120 VAC, 220 VAC and 12 VDC

Operation

⚠ WARNING	
<ul style="list-style-type: none"> Inspect tool and blades before use. Replace any worn or damaged parts. A damaged or improperly assembled tool can break and strike nearby personnel. Carrying strap is for carrying only, not to be used to hang or suspend tool. <p>Failure to observe this warning could result in severe injury or death.</p>	

	⚠ WARNING
	<p>Electric shock hazard:</p> <p>This tool is not insulated. When using this unit near energized electrical lines, use proper personal protective equipment.</p> <p>Failure to observe this warning could result in severe injury or death.</p>

	⚠ WARNING
	<p>Wear eye protection when operating or servicing this tool.</p> <p>Failure to wear eye protection could result in serious eye injury from flying debris.</p>

	⚠ WARNING
	<ul style="list-style-type: none"> Keeps hands away from blade. Remove the battery before inspecting or servicing the tool. <p>Failure to observe these warnings could result in severe injury or death.</p>

Cutting Procedure

1. Activate the switch to open the movable blade.
2. Place the cable to be cut onto the stationary blade and close the movable blade around the cable. Feed the movable blade by hand so that the gear teeth engage the drive mechanism of the tool.

3. Slide the direction control lever to FORWARD. Press and hold the trigger switch until the cable is completely cut.
4. Slide the direction control lever to the center (LOCK) position.

Circuit Breaker

The following may cause the circuit breaker to trip:

- Cutting material that is too large
- Cutting material that is too hard
- Overheating due to continuous use
- Drawing excessive current

If the circuit breaker trips, the tool will stop. If necessary, allow the tool to cool down. (Wait 10 seconds to one minute before resuming cutting.) The circuit breaker will automatically reset.

⚠ CAUTION	
<ul style="list-style-type: none"> This tool is not designed for continuous use. After 40 cutting cycles or if tool becomes hot, allow the cutting tool to rest for 30 minutes. Do not secure this tool in a vice. This is a tool designed for hand-held operation. This tool may be used in damp or wet environments; however, air-drying is recommended before use if the tool becomes soaked. Damage may result when the tool is operated prior to thorough drying when electrical components are soaked. Use this tool for the manufacturer's intended purpose only. <p>Failure to observe these precautions may result in injury or property damage.</p>	

Charging the Battery

Read the instructions supplied with the battery charger


Battery Capacity Display

On the base of the tool handle there is a 4 LED indicator. If 4 LEDs are lit while in operation the battery has a full charge. If only 1 or 2 LEDs are lit while in operation the battery will need to be charged soon.

See following page for additional safety boxes and text to be added to this page. Follow numbered boxes.

Maintenance

	⚠ WARNING
	<p>Wear eye protection when operating or servicing this tool.</p> <p>Failure to wear eye protection could result in serious eye injury from flying debris.</p>

	⚠ WARNING
	<ul style="list-style-type: none">• Keeps hands away from blade.• Remove the battery before inspecting or servicing the tool. <p>Failure to observe these warnings could result in severe injury or death.</p>

Daily Maintenance

- Store the tool in a cool, dry area to prevent rust.
- Inspect the blades for damage or burrs. Remove burrs on the back side of the blades with a flat grinding stone.
- Clean the plastic housing with a soft, soaped cloth.

Replacing the Flexible Gear Guides

1. This tool has two gear guides — left and right. Operate the cutter in either the forward or reverse direction to move the blade completely out of the gear mechanism.
2. Remove the battery from the cutter.
3. Use an M2.5 Allen wrench to loosen and remove the screw that secures the gear guide and install the replacement guides on the movable blade.
4. Tighten the screw securely.
5. Re-install the battery and operate the cutter.

Replacing the Blade

Hinged blade comes pre-assembled, see exploded view and replacement part kits on p.10 and p.12.

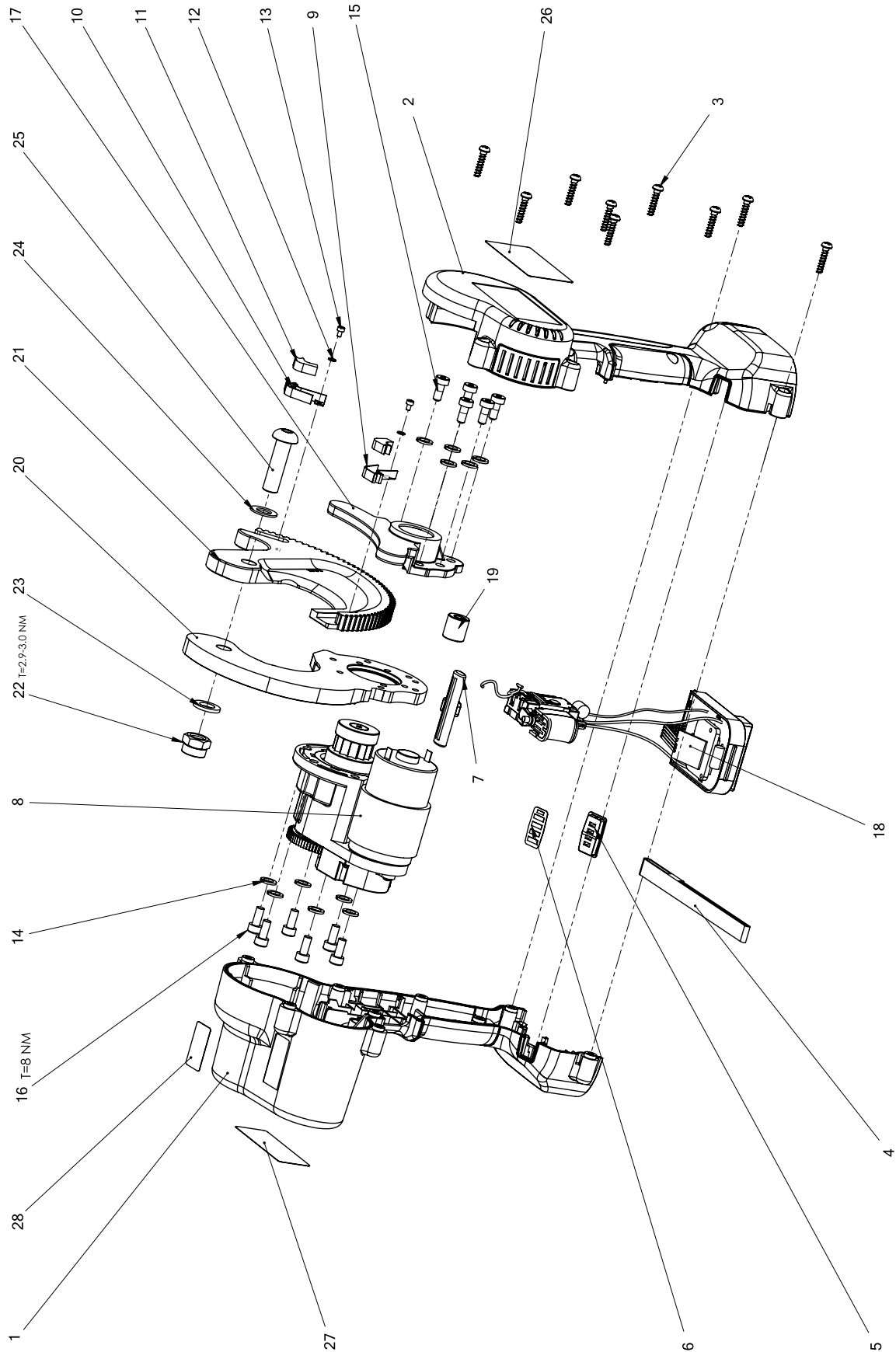
1. Remove battery.
2. Remove 9 Phillips head screws (3) from case and separate case.
3. Pull the motor (8) and blade assembly(20-25) from the case.
4. Remove the 4 visible M5x14 screws (16) holding on the blade assembly to the motor.
5. Remove the 3 small Phillips head screws and cover from the back of the motor (8) and remove the middle gear.
6. Remove the remaining 2 M5x14 screws (16) accessible under the middle gear, this will allow the blade and bearing case assembly to separate from the motor.
7. Remove the 5 M5x12 screws (15) from the blade and bearing case assembly (17).
8. Separate the dull or damaged blade assembly from the bearing case.
9. Attach the new blade assembly to the bearing case and secure with the 5 M5x12 screws (15), torque to 70.8 in-lbs (8Nm).
10. Secure the blade and bearing case assembly to the motor using the 6 M5x14 screws (16), torque to 70.8 in-lbs (8Nm).
11. Replace the middle gear and cover, secure with the 3 small Phillips head screws.
12. Return the motor and blade assembly to the plastic tool case, ensure that direction selector switch and trigger are in their correct locations and that no wires will be pinched in the case.
13. Re-assemble case.
14. Re-install battery and verify cutter operates.

Troubleshooting

Problem	Probable Cause	Probable Remedy
Cutter does not operate.	Battery is discharged.	Charge battery.
	Blades are too loose or too tight.	Loosen and then re-torque lock nut.
	Movable blade is not completely engaged.	Push movable blade until it is completely engaged with drive.
	Dust or foreign matter lodged at battery contacts.	Clean battery contacts.
Battery life has decreased.	Battery will not hold a charge.	Replace battery.
	Blades are dull.	Replace blades.



ESR25LX



ESR25LX

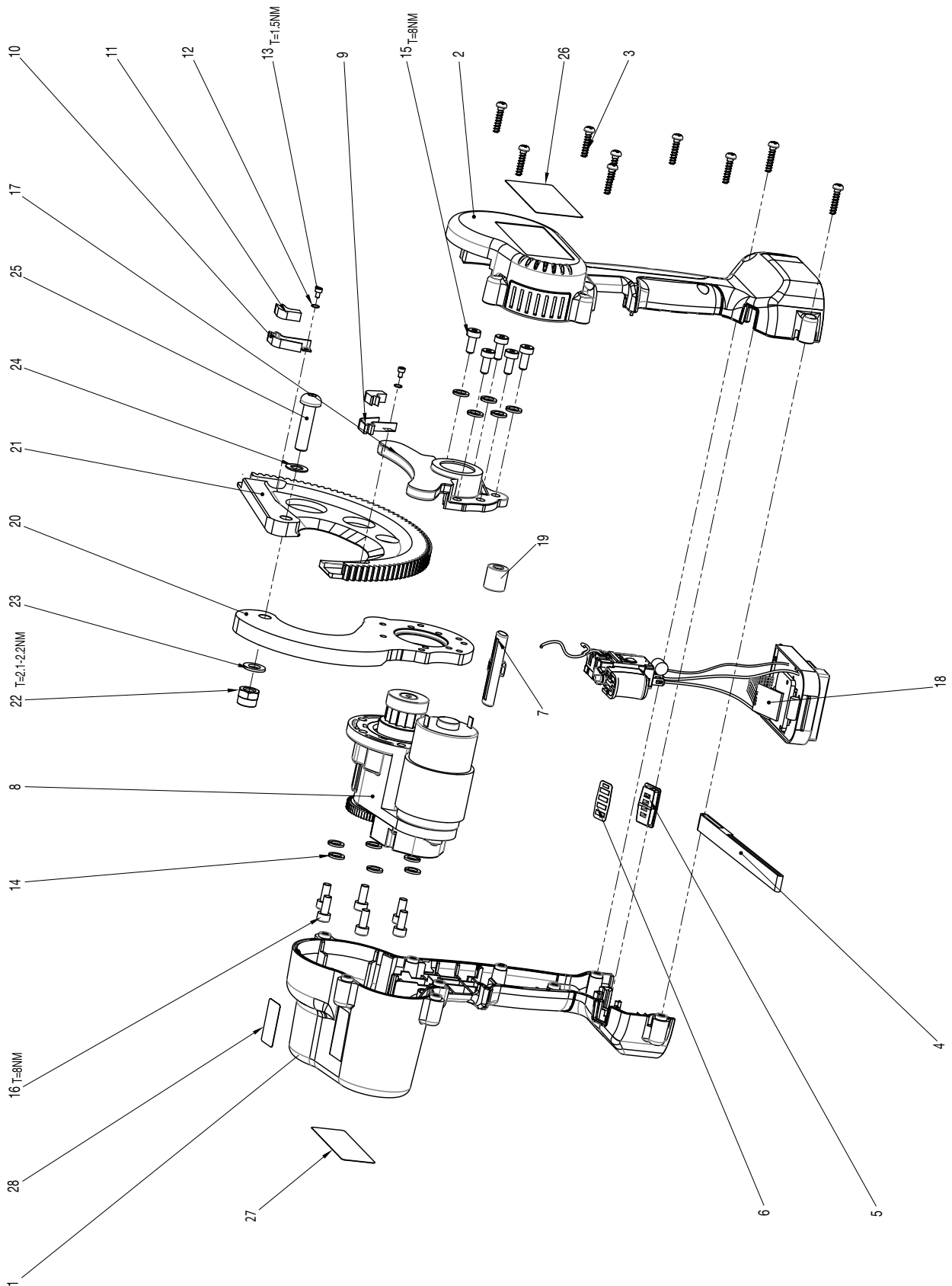
Key	Part No.	Description	Qty
1		Right Housing.....	1
2		Left Housing.....	1
3		Screw M4 x 18.....	9
4		Lanyard.....	1
5		Indicator Lamp Cover.....	1
6		Battery Indicator Decal.....	1
7	*	Forward Reverse Switch.....	1
8	52083550	Gearbox Assembly.....	1
9	**	Steel Jaw A.....	1
10	**	Steel Jaw B.....	1
11	**	Elastic Insert.....	2
12	**	Spring Washer M3.....	2
13	*	Screw M3 x 4.....	2
14		M5 Spring Washer.....	11
15		Screw M5 x 12.....	5
16		Screw M5 x 14.....	6
17		Bearing Case.....	1
18		PCB System 18 V DC.....	1
19		Ferrite Bead.....	1
20		Stationary Blade ACSR.....	1
21		Moveable Blade ACSR.....	1
22		M10 Locknut.....	1
23		Flat Washer.....	1
24		Spring Washer.....	1
25		M10 Bolt.....	1
26	52083243	Capacity Decal ACSR.....	1
27	52083240	Identification Decal.....	1
28	52083241	Warning Decal.....	1
29		Protective Case.....	1
30	52083336	Case Decal ACSR.....	1

Kits

52083546.....	Housing Kit (Includes items 1-7)
52083550.....	Motor Gearbox Kit (Item 8)
52083571.....	Flexible Gear Kit (Items 9-13)
52083572.....	Hardware Kit (Items 14 - 17)
52084144.....	Electronics Kit Soft Cutter (Items 18-19 and 7)
52083548.....	Blade Kit ACSR (Items 20-25 and 9-13)
52083573.....	Decal Kit ACSR (Items 26-28)
52083576.....	Protective Case Kit ACSR (Items 29-30)



ESR1000LX



ESR1000LX

Key	Part No.	Description	QTY
1		Right Housing	1
2		Left Housing	1
3		Screw M4 x 18	9
4		Lanyard	1
5		Indicator Lamp Cover	1
6		Battery Indicator Decal	1
7	*	Forward Reverse Switch	1
8	52083550	Gearbox Assembly	1
9	**	**Steel Jaw A	1
10	**	**Steel Jaw B	1
11	**	**Elastic Insert	2
12	**	**Spring Washer M3.....	2
13	**	**Screw M3 x 4	2
14		M5 Spring Washer.....	11
15		Screw M5 x 12	5
16		Screw M5 x 14	6
17		Bearing Case	1
18		PCB System 18 V DC	1
19		Ferrite Bead	1
20		Stationary Blade Soft Cutter	1
21		Moveable Blade Soft Cutter.	1
22		M8 Locknut	1
23		Flat Washer	1
24		Spring Washer	1
25		M8 Bolt.....	1
26	52083242	Capacity Decal Soft Cutter	1
27	52083240	Identification Decal.....	1
28	52083241	Warning Decal	1
29		Protective Case	1
30	52083335	Case Decal Soft Cutter	1

Kits

52083546	Housing Kit (Includes items 1-7)
52083550	Motor Gearbox Kit (Item 8)
52083571	Flexible Gear Kit (Items 9 -13)
52083572	Hardware Kit (Items 14 - 17)
52084144	Electronics Kit Soft Cutter (Items 18-19 and 7)
52083549	Blade Kit Soft Cutter (Items 20-25 and 9-13)
52083574	Decal Kit Soft Cutter (Items 26-28)
52083239	Protective Case Kit Soft Cutter (Items 29-30)