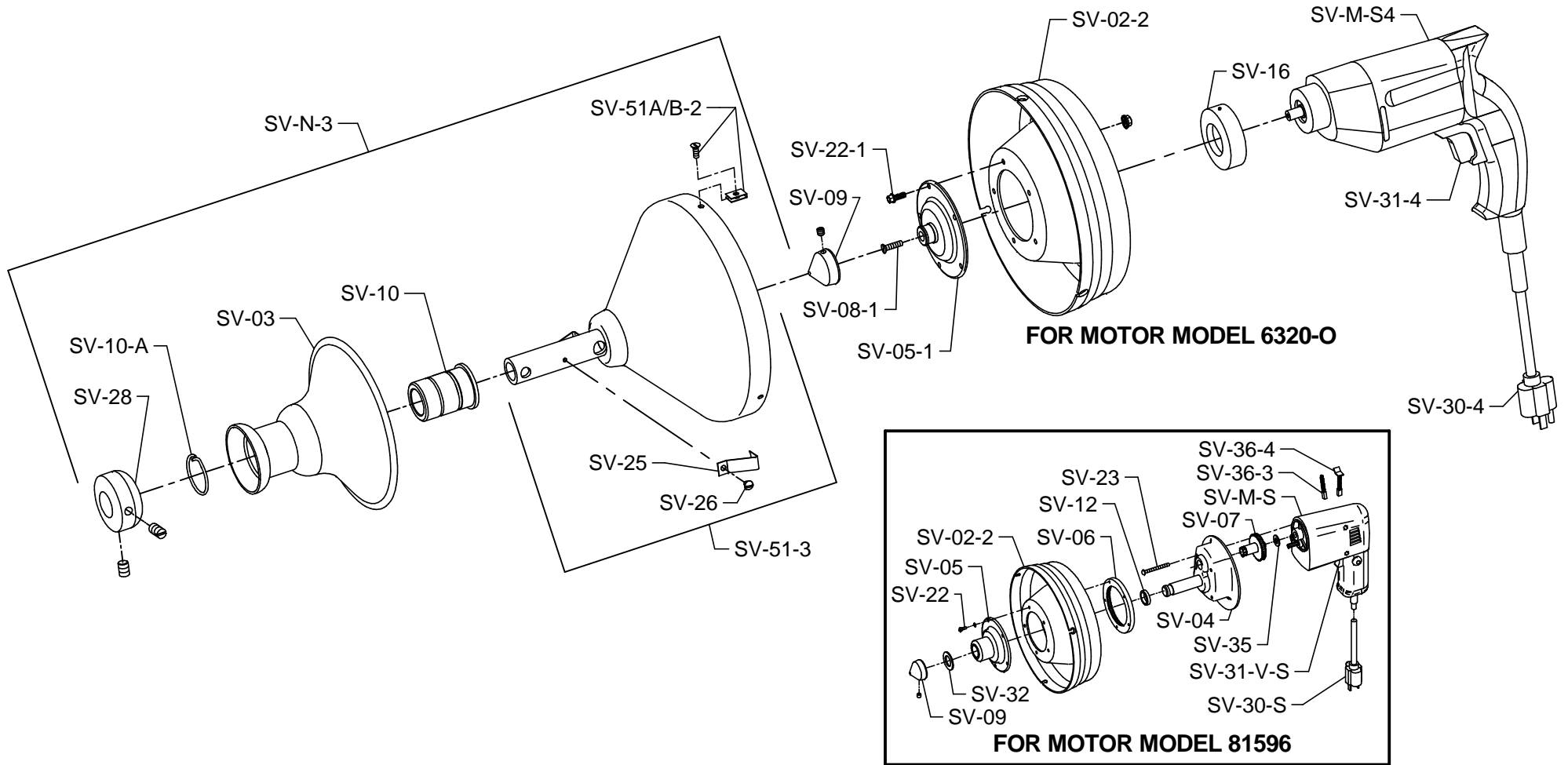


SUPER-VEE PARTS LIST

| ITEM NO. | CATALOG NO. | DESCRIPTION | ITEM NO. | CATALOG NO. | DESCRIPTION |
|----------|-------------|--|----------|---------------|---|
| 141500 | SV-M-S | Skil Variable Speed Motor #81596 | 135980 | SV-30-4 | Cord Set for Motor #6320-O |
| 141510 | SV-M-S3 | Skil Variable Speed Motor #6355-GWS | 141355 | SV-30-S/220 | Cord Set for 220/50 Motor |
| 133060 | SV-M-S4 | Skil Variable Speed Motor #6320-O | 141355 | SV-30-B/220 | Cord Set for Bosch 220/50 Motor |
| 141507 | SV-M-SC12 | Cordless Variable Speed Motor - Discontinued | 136100 | SV-31-V-S | Trigger Switch Assembly for Motor #81596 |
| 141518 | SV-M-B/220 | Bosch Variable Speed 220/50 Motor | 136090 | SV-31-3 | Trigger Switch Assembly for Motor #6355-GWS |
| 141023 | SV-N-3 | Complete Super-Vee Front Assembly | 135990 | SV-31-4 | Trigger Switch Assembly for Motor #6320-O |
| 141040 | SV-51-1 | Container Front - Includes SV-51-A & SV-51-B-1 (Ser. #AS19205 thru AS57101) | 141380 | SV-31-V-S/220 | Trigger Switch Assembly for 220/50 Motor |
| 141070 | * SV-51-3 | Container Front - Includes SV-51-A & SV-51-B-1 (Ser. #AS57102 & Up) | 143580 | SV-31-V-B/220 | Trigger Switch Assembly for Bosch 220/50 Motor |
| 141050 | SV-51-A/B-1 | Set of 3 Thumb Nuts, Bolts & Nuts (Ser. #AS19205 thru AS57101) | 141390 | SV-32 | Felt Washer |
| 141052 | SV-51-A/B-2 | Set of 3 "U" Nuts & Flat Head Screws (Ser. #AS57102 & Up) | 141395 | SV-33 | Armature for Motor #81596 |
| 141115 | SV-02-1 | Container Back - Discontinued (Replace w/SV-51-3 & SV-02-2) | 141397 | SV-33-3 | Armature for Motor #6355-GWS |
| 141115 | SV-02-2 | Container Back (Use w/SV-51-3 Front Only) | 141405 | SV-33/220 | Armature for 220/50 Motor |
| 141120 | * SV-03 | Grip Shield | 141410 | SV-34 | Field for Motor #81596 |
| 141130 | SV-04 | Gear Case Body for Motor #81596 | 141417 | SV-34-3 | Field for Motor #6355-GWS |
| 141140 | SV-05 | Gear Case Cap for Motor #81596 | 141415 | SV-34/220 | Field for 220/50 Motor |
| 141145 | SV-05-1 | Container Hub for Direct Drive Unit | 141420 | SV-35 | Spacer Washer |
| 143610 | SV-05-2 | Container Hub for Direct Drive Unit w/1/2 Drill Spindle | 141430 | SV-36-3 | Brush Spring & Brush (2) for Motor #81596, Type 2 |
| 141150 | SV-06 | Internal Ring Gear | 141440 | SV-36-4 | Integral Brush, Spring, & Connector (2) for Motor #81596, Type 3 |
| 141160 | SV-07 | Pinion & Spindle Gear Assembly for Motor #81596 | 141445 | SV-36-5 | Brush & Holder Set for Motor #6355-GWS |
| 141165 | SV-08 | Reverse-Thread Screw for Direct Drive Unit | 135960 | SV-36-6 | Brush & Holder Set for Motor #6320-O |
| 141175 | SV-08-1 | Reverse Thread Screw for Motor #6320-O | 141466 | SV-36/220 | Brush Spring & Brush for 220/50 Motor |
| 141170 | SV-08-B/220 | Reverse-Thread Screw for Bosch 220/50 Motor | 141457 | SV-37-3 | Left & Right Handle Cover Set for Motor #6355-GWS |
| 141180 | SV-09 | Beveled Collar w/Set Screw | 141465 | SV-37-C | Set Screws & Nuts for Skil Type 2 & 3 Handle Cover |
| 141190 | * SV-10 | Spindle Sleeve (Incl. SV-10-A) | 141470 | SV-38 | Motor Housing for Motor #81596 |
| 141200 | SV-10-A | Spindle Sleeve Retaining Ring | 140571 | SV-39-3 | Holder for Brush & Spring (2) Type 3 Motors |
| 141220 | SV-12 | Spacer Washer | 140885 | B12 | Battery Pack - 12 v |
| 141245 | SV-16 | Thrust Bearing for Motor #6355-GWS & #6320-O | 140915 | C12 | Battery Charger |
| 141270 | SV-22 | Machine Screws w/Lock Washers (5) | 120500 | PC | Plastic Cartridge |
| 141280 | SV-23 | Fillister Head Screws (4) | 132215 | SV-DECAL | Set of Safety Decals |
| 141300 | * SV-25 | Cable Grippers (2) | 132310 | SV-DVD | Instructional DVD |
| 136020 | * SV-26 | Screws w/Locktite (2) | 133010 | SV-MCC | Carrying Case |
| 141330 | * SV-28 | Front Collar w/Set Screws | 130010 | HECS | Handyelectric Cutter Set |
| 143570 | SV-29-B/220 | Spacer for Bosch 220/50 Motor | 120010 | 25HE1 | Flexicore Cable, 1/4" x 25 ft. with EL Basin Head |
| 136040 | SV-30-S | Cord Set for Motor #81596 | 120160 | 25HE2 | Flexicore Cable, 3/8" x 25 ft. with Female Connector |
| 136030 | SV-30-3 | Cord Set for Motor #6355-GWS | 120170 | 35HE2 | Flexicore Cable, 3/8" x 35 ft. with Female Connector |
| | | | 120020 | 50HE1 | Flexicore Cable, 1/4" x 50 ft. with EL Basin Head |
| | | | 120070 | 25HE1A | Flexicore Cable, 5/16" x 25 ft. with EL Basin Head |
| | | | 140840 | BNDT | Band-It Splashguard |

*Part Number SV-N-3 Includes All * Parts.

SUPER-VEE SCHEMATIC DIAGRAM



IMPORTANT: When ordering, give Serial Number of Machine.