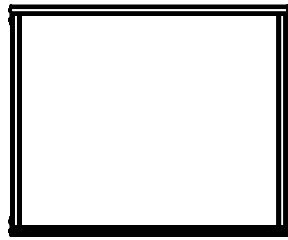


# Desktop Protective Screen w/ Mounting Brackets

Instruction Sheet

**Step 1:** Remove and unpack the panel assembly, clamp brackets, and hardware.



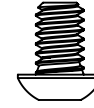
(1)  
Panel  
Assembly



(2)  
Clamp  
Brackets

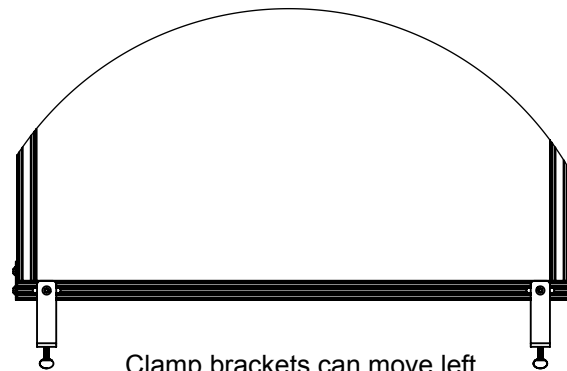
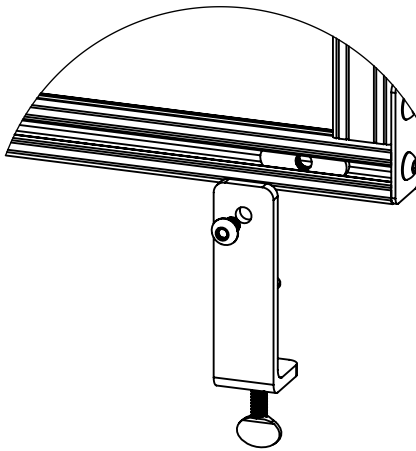


(1)  
Allen  
Wrench



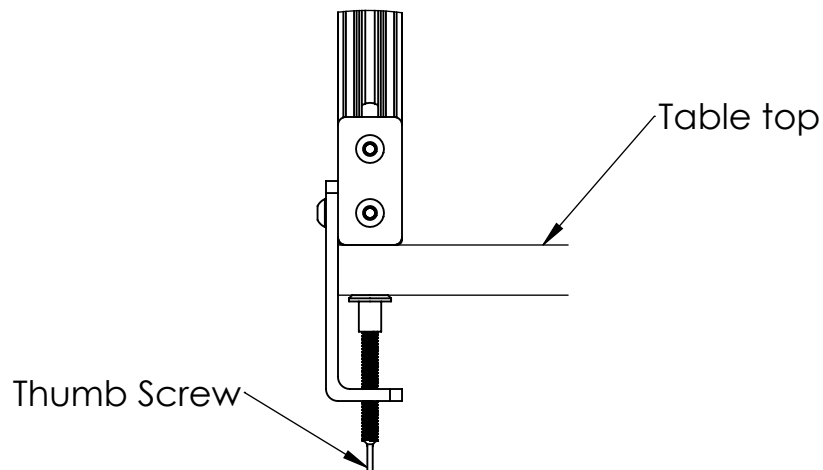
(2)  
Screws  
1/4-20x3/8"  
button head  
cap screw

**Step 2:** Lay panel assembly on a clean flat surface, attach the screws into the tee nuts captured in the bottom frames groove. Adjust the position of the table top clamp brackets to avoid interference.



Clamp brackets can move left  
and right to avoid obstructions

**Step 3:** Tighten thumb screws to secure panel to table top.



**Step 4:** Recycle all packaging materials in accordance to local regulations.